

EBF52SS1

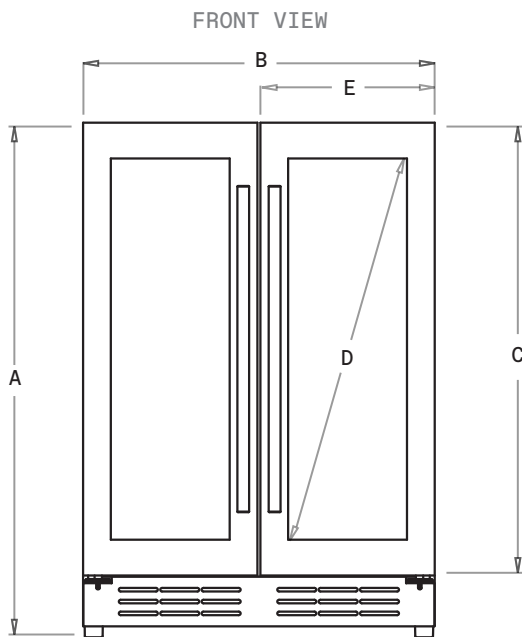
Specification sheet

Beverage & wine center | French door



Learn more

MEASUREMENTS



* $\frac{3}{4}$ " (1.9cm) Adjustable Height

EBF52SS1	
A	34 $\frac{1}{4}$ " (87cm)
B	23 $\frac{7}{16}$ " (59.5 cm)
C	30 $\frac{3}{16}$ " (76.7cm)
D	26 $\frac{5}{8}$ " (67.6cm)
E	11 $\frac{5}{8}$ " (29.2cm)

DESCRIPTION

A paradigm of sophisticated design and seamless construction, RISERVA is your best ally when preserving the freshness of your beverages. Dual Compartments and Dual Cooling zones, offer the elegance of a wine cellar, fused with the convenience of a beverage center. It holds up to 60 cans (12oz) within the Beverage Zone and up to 21 bottles of wine (21oz) in the Wine Zone. Optimum preservation is ensured thanks to the natural Beechwood shelves, highest quality components that reduce vibration, plus Elica's Perfect Climate technology (EPC) that maintains consistent and even temperature distribution.



FEATURES

- Open door alarm
- Concealed hinge
- High efficiency carbon filters
- EPC technology
- Quiet operation
- Eco-mode



GENERAL PROPERTIES

Standard Width	24"
Model	EBF52SS1
Dimensions	23 7/16"W x 22 5/16"D x 34 1/4"H
Weight	117 lbs
Installation type	Built-In & free standing
Refrigeration type	R600a
Volume	4.8 cu ft(135L)
Sound level	39 dBA
Door finish	304 stainless steel + Tempered Glass
Cabinet finish	Black
Interior finish	Black
Hinge design	Concealed
Lighting	3 level white LED
Controls	Capacitive Touch Display with white numbers

COOLING ZONE 1 - BEVERAGES

Total Capacity	>60 cans (12 oz)
Temperature Ranges	34 to 68°F
Shelving	3 Adjustable tempered glass shelves with metal front trim

COOLING ZONE 2 - BEVERAGES

Total Capacity	21 Bottles of wine (25 oz)
Temperature Range	34° to 68°F
Shelving	6 pieces beechwood shelves with metal front trim

DOOR

Door handle	Tubular
Door tempered glass	Tinted dual pane, Low-e argon-filled
Reversible Door	No

ELECTRICAL SPECIFICATIONS

Compressor Brand	Embraco
Min. Circuit Required	15 A
AC Power	110-120V / 60HZ
Amperage	0.95A
Plug type	B

OTHER FEATURES

Sabbath mode
Superior full extension racks
Premium beechwood wine racks
Beverage Shelving made of Tempered Glass
White LED lights with 3 level Kelvin shade adjustment
Anti Vibration technology & Anti Damping system
Double panel tempered glass door, UV coated
Stylish look with tubular handle
Elica Perfect Climate Technology

KITS

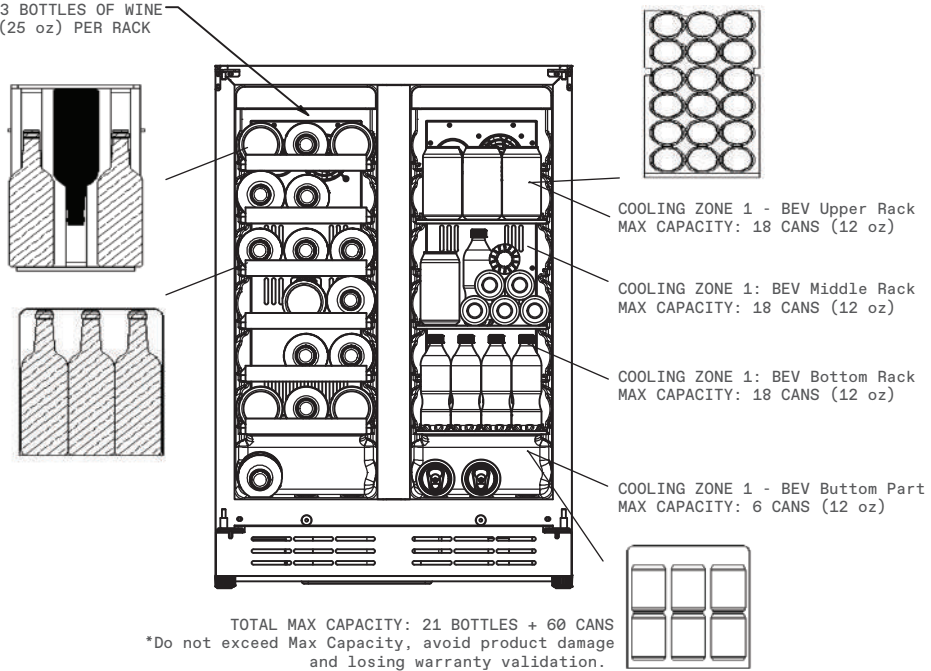
Carbon filter Replacement	L00114-1
PRO handle	KIT0175505

WARRANTY:* Two (2) Years Parts & In-Home Labor. Earn an additional One (1) Year of Parts & In-Home Labor by registering on elica.com**

* The product images shown are for illustration purposes only and may not be an exact representation of the product.
 ** For valid warranty extension, register within 3 months from purchase. For USA & Canada Users Only.

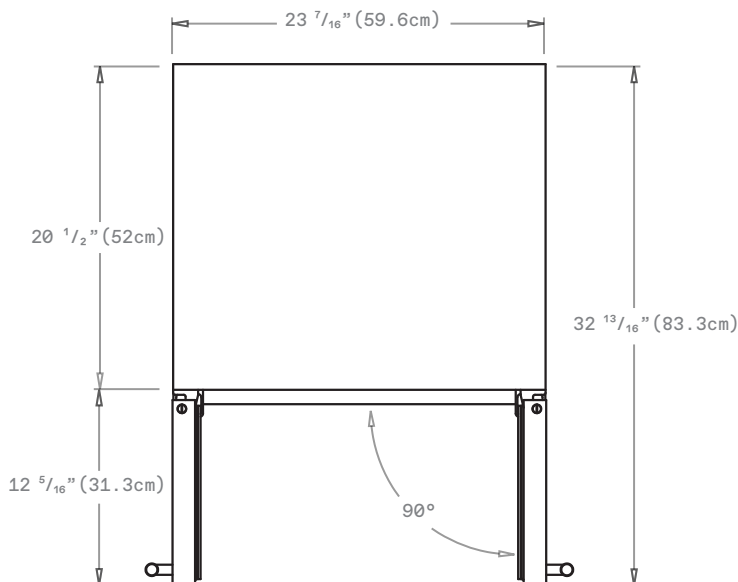
STORAGE CAPACITY

COOLING ZONE 2 - WINES
MAX CAPACITY: 3 BOTTLES OF WINE
(25 oz) PER RACK

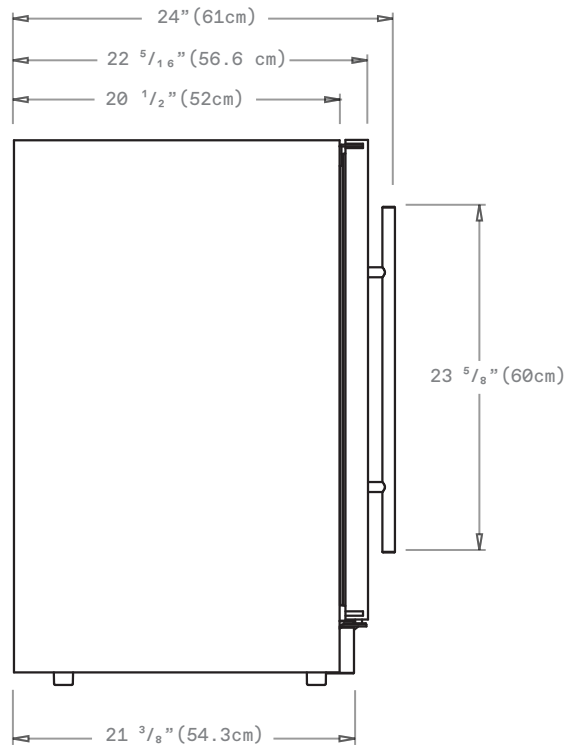


LINE DRAWINGS

TOP VIEW



SIDE VIEW



Domestic use only.
Refrigeration, no freezing capability.
Compressor included.

