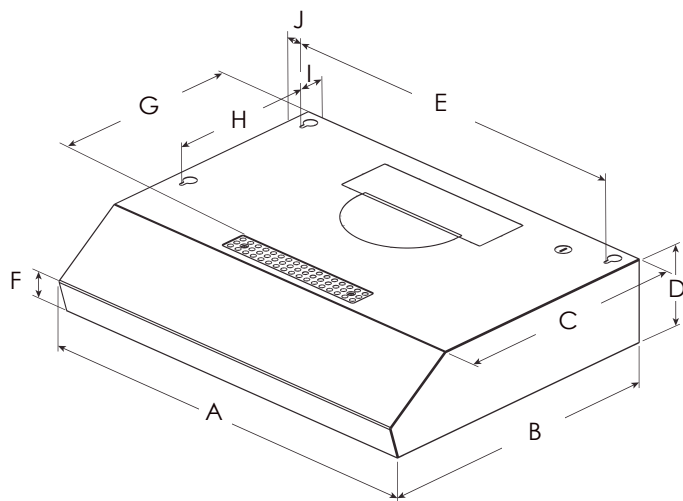




LED LIGHT

ELICA'S EXCLUSIVE PLUS FEATURES

GUBBIO is the perfect option for a functional kitchen with reduced space. Equipped with a 3 speed blower (generating 250 CFM Of airflow), and LED lighting, this undercabinet hood is ideal for builder projects



≥24"



≥30"

MOUNTING  
 HEIGHT  
 RANGE

	EGB224SS
A	24"
B	18 <sup>7</sup> / <sub>8</sub> "
C	14 <sup>1</sup> / <sub>2</sub> "
D	4 <sup>15</sup> / <sub>16</sub> "
E	22 <sup>1</sup> / <sub>4</sub> "
F	2"
G	12 <sup>1</sup> / <sub>4</sub> "
H	9 <sup>5</sup> / <sub>8</sub> "
I	1 <sup>1</sup> / <sub>2</sub> "
J	1"



## SPECIFICATIONS

Width:	24" UNIT
Model:	EGB224SS
Dimensions:	24" W x 18 7/8" D x 4 15/16" H
Blower Type(internal):	250 CFM (3 - Speed)
Noise (sones):	4.6 Sones
Finish:	Stainless Steel
Controls:	Mechanical Slider
Illumination:	2 LED, 2.1 W, 3000 K
Filter Type:	(2)Dishwasher-Safe, Anodized Aluminum Mesh Filter
Duct transition:	3 1/4" x 10" (Top or Rear) Rectangular transition
Installation Type:	Ducted or Recirculating (Kit sold separately)
Electrical:	120 V, 60 Hz 115 W
KITS:	
Recirculating kit	KIT0140997
No return valve 7"	KIT02723
Duct Transition 7"	KIT02722
WARRANTY:**	Two (2) Years Parts & In-Home Labor. Earn an additional One (1) Year of Parts & In-Home Labor by registering on elica.com.

## PLUS FEATURES



LED LIGHT - LED lighting is undoubtedly the smartest solution in terms of energy saving. Expected life is over 20,000 hours, and should last the full life of the hood.

\*The product images shown are for illustration purposes only and may not be an exact representation of the product.

\*\* For valid warranty extension, register within 3 months from purchase For USA & Canada Users only.