

Volterra

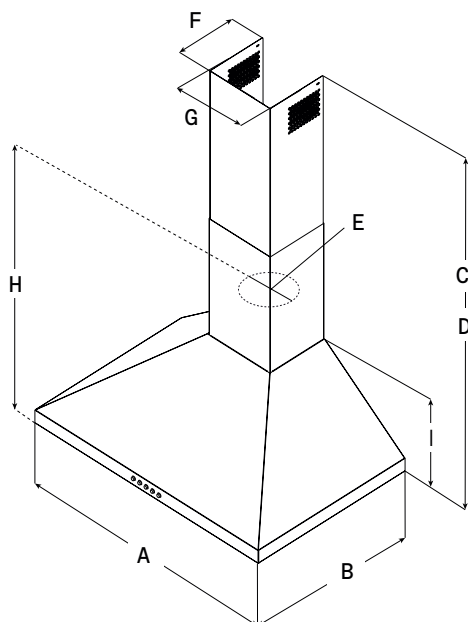
Wallmount hood

Specification sheet



Learn more

MEASUREMENTS



	EVL424SS	EVL430S2	EVL436S2
A	23 5/8" (60 cm)	30" (76.2 cm)	36" (91.4 cm)
B		19 11/16" (50 cm)	
C*		Min: 28 3/8" (72 cm) Max: 42 1/8" (107 cm)	
D**		Min: 28 3/8" (72 cm) Max: 38 3/16" (97 cm)	
E		6" (15.2 cm)	
F		7 3/16" (18.3 cm)	
G		8 3/16" (20.8 cm)	
H		14 5/8" (37.1 cm)	
I		10 1/4" (26 cm)	

*Ductless (recirculating)
** Ducted version

DESCRIPTION

Volterra, with its pyramid shaped angles and stainless steel finish, makes a striking visual statement to any kitchen. Available in 24" width, Volterra features backlit push button controls, LED lighting and 3-speed blower. It also features a telescopic chimney for up to 9'2" ceilings.

Designed for standard ducted installation Volterra can also be installed as a recirculating system using the kit available as an accessory.



FEATURES

-  3x layer mesh
-  Led light



GENERAL PROPERTIES

	24"	30"	36"
Width	24"	30"	36"
Model	EVL424SS	EVL430S2	EVL436S2
Dimensions	23 ⁵ / ₈ "W x 19 ¹ / ₁₆ "D x min:28 ³ / ₈ "max:42 ¹ / ₈ "H	30"W x 19 ¹ / ₁₆ "D x min:28 ³ / ₈ "max:42 ¹ / ₈ "H	36"W x 19 ¹ / ₁₆ "D x min:28 ³ / ₈ "max:42 ¹ / ₈ "H
Blower Type ¹ (Internal)	400 CFM (3-speed)		
Noise (Min-max sones) ¹	0.4-5.9 Sones		
Electrical	120V-60Hz,265W		
Illumination	2 LED, 2.1W, 3000K, 235 Lumen		
Finish	Stainless Steel		
Controls	Backlit electronic push buttons		
Grease filters	Dishwasher-Safe, Anodized aluminum mesh filter (2 for 30" & 3 for 36")		
Installation type	Ducted or recirculating with kit (sold separately)		
Duct transition	6" round with backdraft damper (Top Only)		
Telescopic chimney	Can reach ceiling heights for heights 7'5"-9'2" (ducted),7'5"-9'6" (recirculating)		

KITS

Chimney extension	KIT02762 (Reaches ceiling heights of 8'15"-11'3" (ducted), 8'6"-11'7" (recirculating))
Recirculating kit	KIT02766 (contains 6" deflector and 2 round carbon filters)
CFM Reduction	KIT0175561 (achieves 280 CFM)
Upgrade filter	GF04YB (Stainless steel microhole filter + contains 1 filter)

WARRANTY:² Two (2) Years Parts & In-Home Labor. Earn an additional One (1) Year of Parts & In-Home Labor by registering on elica.com



The product images shown are for illustration purposes only and may not be an exact representation of the product.

¹ CFM and Noise data indicate the performance of the hood blower tested according to international standards. For AHAM Certified Ratings, established in accordance with California Title 24 Standardized test procedure, please refer to AHAM Certified Product Directory. Electric Ratings are declared according to UL.

² For valid warranty extension, register within 3 months from purchase. For USA & Canada Users Only.