

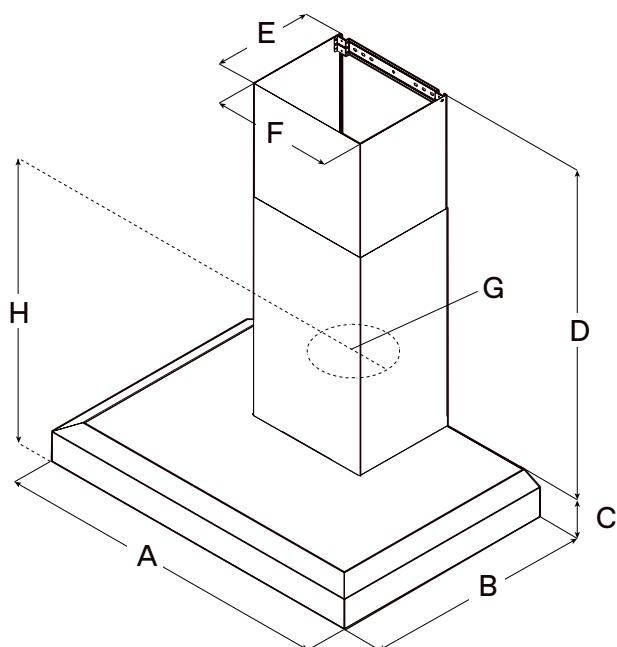
Vavano

Wallmount hood



Learn more

MEASUREMENTS



	EVV636S1	EVV648S1
A	36" (91.4 cm)	48" (121.9 cm)
B	24" (61 cm)	
C	5" (12.8 cm)	
D	Max: 54" (137 cm) Min: 30" (76.2 cm)	
E	10 ⁵ / ₈ " (27 cm)	
F	13 ³ / ₈ " (33.2 cm)	
G	6" (15.2 cm)	
H	20 ⁹ / ₁₆ " (52.6 cm)	

DESCRIPTION






Give a splash of Italian design to your professional kitchen with Vavano crisp lines, seamless welded corner craftsmanship, beveled rim and gleaming stainless steel.

No ear plugs required with Vavano's Hush sound suppression system, which enables you to comfortably talk and entertain even when cooking up a storm.

Available in 36" and 48" widths, Vavano features backlit hidden knob controls, which operate the 4-speed blower and LED lightning. Easy maintenance and cleaner kitchen are assured with professional stainless steel angled baffle filters.



FEATURES

-  Hush system
-  Heat guard
-  Professional performance
-  Grease collectors
-  Seamless look



GENERAL PROPERTIES

Width	36"	48"
Model	EVV636S1	EVV648S1
Dimensions	36"Wx24"Dx min:30" max:54"H	48"Wx24"Dx min:30" max:54"H
Blower Type ¹ (Internal)	600 CFM (4-speed)	
Noise (Min-max sones) ¹	1.7-7.0 Sones	
Electrical	120V-60Hz, 490W	
Illumination	2 LED Lights, 6.5W, 3000K, 540 Lumen/Lamp	
Finish	Stainless Steel	
Controls	Fully Retractable Rotating Knobs with Blue backlighting	
Grease filters	Dishwasher-Safe, Professional Stainless Steel Baffle	
Installation type	Ducted Installation Only	
Telescopic Chimney	Can reach ceiling heights 7'6"-10'6" (cover electric cooking) 8'0"-10'6" (cover gas cooking)	
Duct transition	6" round with backdraft damper (top only)	

KITS

Long Chimney Ext 12"	KIT0146881 (Can reach up to 13'6")
Inline Blower	KIT0154387 (1200 CFM blower, 8" or 10" compatible)
External Blower	KIT0153054 (1200 CFM blower, 8" or 10" compatible)
Electronic CFM Reduction Bypass	KIT0185752 (Achieves <300 CFM for 600 CFM Blower)

WARRANTY:²

Two (2) Years Parts & In-Home Labor. Earn an additional One (1) Year of Parts & In-Home Labor by registering on elica.com



The product images shown are for illustration purposes only and may not be an exact representation of the product.

¹ CFM and Noise data indicate the performance of the hood blower tested according to international standards. For AHAM Certified Ratings, established in accordance with California Title 24 Standardized test procedure, please refer to AHAM Certified Product Directory. Electric Ratings are declared according to UL.

² For valid warranty extension, register within 3 months from purchase. For USA & Canada Users Only.