

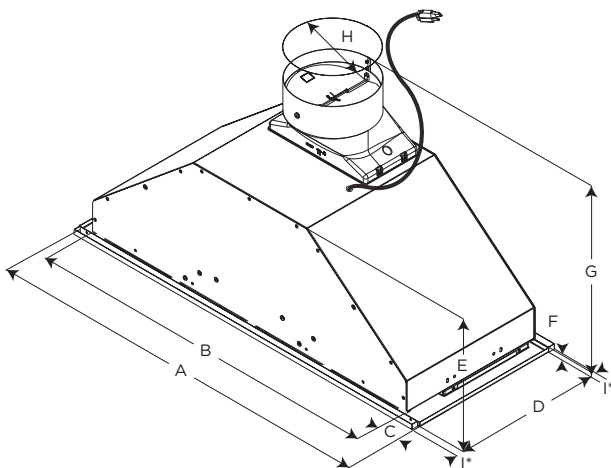
Umbria

Insert hood



Learn more

MEASUREMENTS



	EUM628S1	EUM634S1
A	28 1/4" (71.8 cm)	34 1/4" (86.7 cm)
B	26" (66 cm)	
C	1 1/8" (2.9 cm)	4 1/8" (10.3 cm)
D	10 3/4" (27.3 cm)	
E	9 1/2" (24.2 cm)	
F	3/8" (.85 cm)	
G	15 3/4" (40 cm)	
H	6" (15.2 cm)	
I*	1/2" (1.2 cm)	

I* - Metallic spacers Spacers has to be installed and used when cabinet depth is greater than 1/2".

DESCRIPTION

Umbria with 28" and 34" width models available and 10 3/4" depth enables it to be discreetly installed within standard 12" deep cabinetry. With Perimeter Aspiration technology that helps to achieve Top Performance by delivering more powerful and efficient fume extraction, plus it reduces noise. Umbria is designed for both ducted out or recirculating installation with available kit. now with a snap system that make it safer and easier to install.



FEATURES

- Perimeter aspiration
- Hush system
- Led light
- Top performance
- Super easy installation
- Top or rear outlet



GENERAL PROPERTIES

Width	28"	34"
Model	EUM628S1	EUM634S1
Dimensions	28 1/4"W x 10 3/4"D x 9 1/2"H	34 1/4"W x 10 3/4"D x 9 1/2"H
Blower Type (Internal) ¹	600 CFM (3-speed)	
Noise (Min-max sones) ¹	1.7-6.8 Sones	
Electrical	120V-60Hz, 455W	
Illumination	2 LED, 2.1W, 4000K	
Finish	Stainless Steel	
Controls	Stainless steel push buttons	
Grease filters	Dishwasher-Safe, Anodized aluminum, mesh filter + perimeter aspiration	
Installation type	Ducted or recirculating with kit (sold separately)	
Duct transition	Round 6" with backdraft damper (top & rear)	

KITS

Recirculating Kit	KIT02770 (Contains 2 round carbon filters and cabinet grate)	
Electronic CFM Reduction Bypass	KIT0175561 (achieves <300 CFM)	
Optional 30" hood liner	KIT02773 (29"W x 17 1/2"-20 1/2"D x 4"H)	Not applicable
Optional 36" hood liner	KIT02774 (35"W x 17 1/2"-20 1/2"D x 4"H)	Not applicable

WARRANTY:² Two (2) Years Parts & In-Home Labor. Earn an additional One (1) Year of Parts & In-Home Labor by registering on elica.com



The product images shown are for illustration purposes only and may not be an exact representation of the product.

¹ CFM and Noise data indicate the performance of the hood blower tested according to international standards. For AHAM Certified Ratings, established in accordance with California Title 24 Standardized test procedure, please refer to AHAM Certified Product Directory. Electric Ratings are declared according to UL.

² For valid warranty extension, register within 3 months from purchase. For USA & Canada Users Only.