

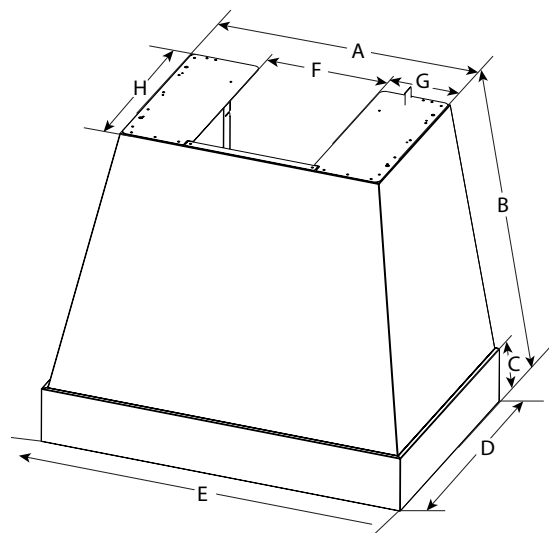
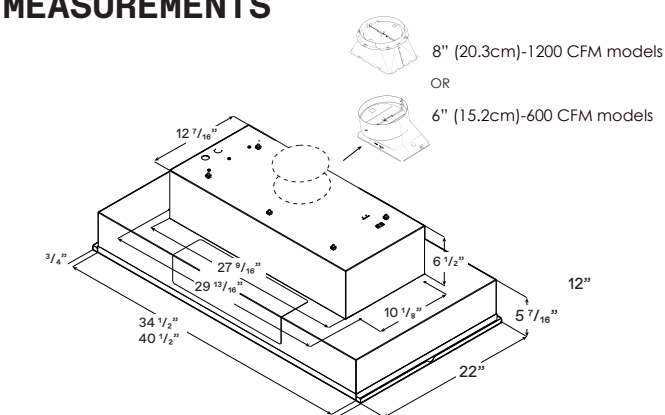
# Torino

## Custom Wall mount hood



Learn more

### MEASUREMENTS



	ETNX36BL ETNX36WH	ETNX48BL ETNX48WH
A	25" (66 cm)	35" (91.4 cm)
B	30" (76.3 cm)	30" (76.3 cm)
C	5 1/2" (14 cm)	5 3/8" (14 cm)
D	23 5/16" (60.9 cm)	23 5/16" (60.9 cm)
E	36 5/16" (91.4 cm)	48" (122.1 cm)
F	12 1/8" (30.8 cm)	12 1/8" (30.7 cm)
G	6 5/16" (17.6 cm)	11 5/16" (30.3 cm)
H	17 3/8" (44.1 cm)	17 3/8" (44.1 cm)

### DESCRIPTION

Introducing the centerpiece of culinary sophistication: our latest kitchen hood from the Disegno Series, available in striking black and versatile white. The black finish exudes modern elegance and boldness, making a powerful statement in any kitchen. In contrast, the white option offers a pristine canvas, perfect for those looking to add their unique touch or blend seamlessly into a minimalist aesthetic. Both finishes are meticulously crafted to elevate the kitchen space, ensuring that this hood not only provides exceptional functionality but also becomes the focal point of your home. With its sleek lines and unique design, it promises to captivate attention and inspire culinary creativity.



### FEATURES

- Hush system
- Elica easy mounting
- Heat guard
- Top or Rear outlet
- Seamless look
- Professional performance
- Grease collectors



### GENERAL PROPERTIES

Width	36"	48"	36"	48"
Model	ETNX36BL	ETNX48BL	ETNX36WH	ETNX48WH
Dimensions	36"W x 23 15/16"D x 30"H	48"W x 23 15/16"D x 30"H	36"W x 23 15/16"D x 30"H	48"W x 23 15/16"D x 30"H
Finish	Stainless Steel +regular steel painted in black matte		Stainless Steel +regular steel painted in customizable white matte	
Blower type: (sold separately)	Requires purchase of insert hood EAR634SS (600 CFM) for ETNX36BL & ETNX36WH EAR134S4 (1200 CFM) for ETNX36BL & ETNX36WH EAR140S4 (1200 CFM) for ETNX48BL & ETNX48WH			
Installation type	6 easy steps for mounting, compatible with Arezzo insert			

### KITS

Duct cover extension (6" tall)	KIT0203059	KIT0203030	KIT0203068	KIT0203069
Duct cover extension (18" tall)	KIT0203032	KIT0203029	KIT0203070	KIT0203071

Compatible with Arezzo hood kits

### 6 EASY STEPS FOR MOUNTING

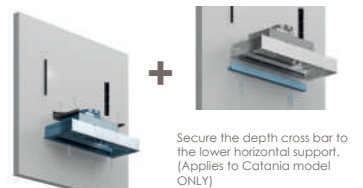
**1** Drill using installation template.



**2** Fix support Brackets to wall and ceiling.



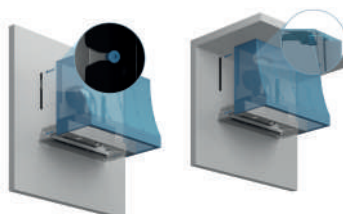
**3** Secure the insert hood to the lower support.



**4** Affix the ducting. Choose between Rear or Ceiling Outlet.



**5** Slip the fixed bolts on the shell into the eyelets in the vertical brackets, lay the top of the shell over the ceiling bracket. A solid connection will create a "click".



**6** Secure the insert hood to the Shell from the inside placing the screws on the corresponding drill holes.



\*For ceiling flush installation, an optional Trim Kit is available.

# Arezzo

## Insert hood



Oristano Range Hood needs to be paired with the Arezzo Insert Hood.

### GENERAL PROPERTIES

	28"	34"	40"	46"
Width	28"	34"	40"	46"
Model	EAR628S4	EAR634SS* EAR134S4**	EAR140S4	EAR146S4
Dimensions	28 <sup>1</sup> / <sub>2</sub> "W x 22"D x 11 <sup>7</sup> / <sub>8</sub> "H	34 <sup>1</sup> / <sub>2</sub> "W x 25"D x 11 <sup>7</sup> / <sub>8</sub> "H	40 <sup>1</sup> / <sub>2</sub> "W x 22"D x 11 <sup>7</sup> / <sub>8</sub> "H	46 <sup>1</sup> / <sub>2</sub> "W x 22"D x 11 <sup>7</sup> / <sub>8</sub> "H
Blower Type <sup>1</sup> (Internal)	600 CFM (4-speed)	600 CFM (4-speed)* 1200 CFM (4-speed)**	1200 CFM (4-speed)	
Noise (Min-max sones) <sup>1</sup>	1.7-7.0 Sones	1.7-8.5 Sones* 1.7-7.0 Sones**	1.7-8.5 Sones	
Electrical	120V-60Hz,463W*	120V-60Hz,490W* 120V-60Hz,913W**	120V-60Hz,926W	
Illumination	2 LED, 6.5W, 3000K, 540 Lumen		4 LED, 6.5W, 3000K, 540 Lumen	
Finish	Stainless Steel			
Controls	Fully Retractable Rotating Knobs with Blue backlighting			
Grease filters	Dishwasher-Safe, Professional Stainless Steel Baffle			
Installation type	Ducted or Recirculating with Kit			
Duct transition	6" Round with Backdraft Damper (Top Only)	6" /8*** Round with Backdraft Damper (Top Only)	8" Round with Backdraft Damper (Top Only)	8" Round with Backdraft Damper (Top Only)

### KITS

External Blower	KIT0153054 (1200 CFM blower 8" or 10" compatible)
Inline Blower	KIT0154387 (1200 CFM blower 8" or 10" compatible)
Inline Blower Shell	KIT0179549 (for use with 1200 CFM blowers only)
External Blower Shell	KIT0179547 (for use with 1200 CFM blowers only)
Recirculation (600 CFM)	KIT0192765 (4 round carbon filters)+ KIT0195736 (6" round deflector)
Recirculation (1200 CFM)	KIT0192765 (4 round carbon filters) + KIT0192763 (8" round deflector)
Electronic CFM Reduction Bypass	KIT0185752 (Achieve <300 CFM, for 600 CFM Blower) KIT0185099 (Achieve <400 CFM, for 1200 CFM Blower)

### WARRANTY:<sup>2</sup>

**Two (2) Years Parts & In-Home Labor. Earn an additional One (1) Year of Parts & In-Home Labor by registering on [elica.com](http://elica.com)**



The product images shown are for illustration purposes only and may not be an exact representation of the product.

<sup>1</sup> CFM and Noise data indicate the performance of the hood blower tested according to international standards. For AHAM Certified Ratings, established in accordance with California Title 24 Standardized test procedure, please refer to AHAM Certified Product Directory. Electric Ratings are declared according to UL.

<sup>2</sup> For valid warranty extension, register within 3 months from purchase. For USA & Canada Users Only.