

# EWS52PR1

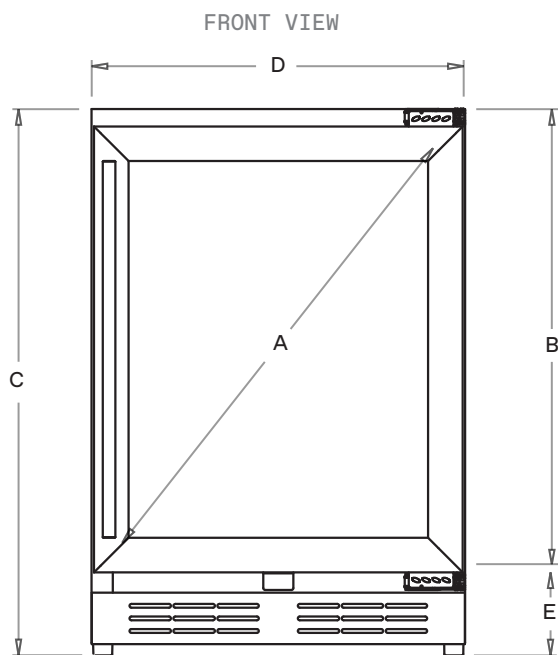
Specification sheet

Wine center | Panel Ready  
Dual zone wine cellar fridge



Learn  
more

## MEASUREMENTS



\* $\frac{3}{4}$ " (1.9cm) Adjustable Height

|   | EWS51PR1                      |
|---|-------------------------------|
| A | 31 $\frac{13}{16}$ " (78.7cm) |
| B | 29 $\frac{1}{16}$ " (73.8cm)  |
| C | 34 $\frac{1}{4}$ " (87cm)     |
| D | 23 $\frac{7}{16}$ " (59.5 cm) |
| E | 5 $\frac{3}{16}$ " (13.2cm)   |

Integrated model requires  $\frac{3}{4}$ " custom door panel  
(not supplied by Elica)

## DESCRIPTION

RISERVA - EWS52PR1 with dual temperature zones is designed to store a variety of quality wines and preserve them under optimal conditions. As the global ventilation leader, Elica understands in depth, the importance of maintaining the right temperature, humidity, light and low vibration to ensure the right environment for safe preservation and aging. RISERVA natural beechwood shelves are full extension for easy and safe access to each bottle. The Panel Ready frame and integrated articulated hinge allow a true flush installation within the cabinetry.



## FEATURES

- Open door alarm
- Articulated hinge
- High efficiency carbon filters
- Panel ready
- EPC technology
- Quiet operation
- Eco-mode



### GENERAL PROPERTIES

|                    |   |
|--------------------|---|
| Standard Width     | 24"   |
| Model              | EWS52PR1                                    |
| Dimensions         | 23 7/16"W x 23 1/4"D x 34 1/4"H             |
| Weight             | 128 lbs                                     |
| Installation type  | Built-In & free standing                    |
| Refrigeration type | R600a                                       |
| Volume             | 4.8 cu ft(135L)                             |
| Sound level        | 39 dBA                                      |
| Door finish        | Panel ready + Tempered glass                |
| Cabinet finish     | Black                                       |
| Interior finish    | Black                                       |
| Hinge design       | Articulated hinge                           |
| Lighting           | 3 level white LED                           |
| Controls           | Capacitive Touch Display with white numbers |

### COOLING ZONE 1 - WHITE WINES

|                    |   |
|--------------------|---|
| Total Capacity     | 16 Bottles of wine (25 oz)                                |
| Temperature Ranges | 40 to 50°F  |
| Shelving           | 2 Full extension racks of beechwood with metal front trim |

### COOLING ZONE 2 - RED WINES

|                   |  |
|-------------------|--|
| Total Capacity    | 36 Bottles of wine (25 oz)                           |
| Temperature Range | 50° to 64°F  |
| Shelving          | 3 full extension racks of beechwood with metal front |

### DOOR

|                     |   |
|---------------------|---|
| Door handle         | Tubular   |
| Door tempered glass | Tinted dual pane, Low-e argon-filled                      |
| Reversible Door     | Yes<br>Field reversible door is shipped right-hand hinged |

### ELECTRICAL SPECIFICATIONS

|                       |                 |
|-----------------------|-----------------|
| Compressor Brand      | Embraco         |
| Min. Circuit Required | 15 A            |
| AC Power              | 110-120V / 60HZ |
| Amperage              | 0.95A           |
| Plug type             | B               |

### OTHER FEATURES

|   |
|---|
| Sabbath mode  |
| Superior full extension racks                         |
| Premium beechwood wine racks                          |
| White LED lights with 3 level Kelvin shade adjustment |
| Anti Vibration Technology & Anti Damping System       |
| Double panel tempered glass door, UV coated           |
| Stylish look with tubular handle                      |
| Beverage Shelving made of Tempered Glass              |
| Elica Perfect Climate technology                      |

### KITS

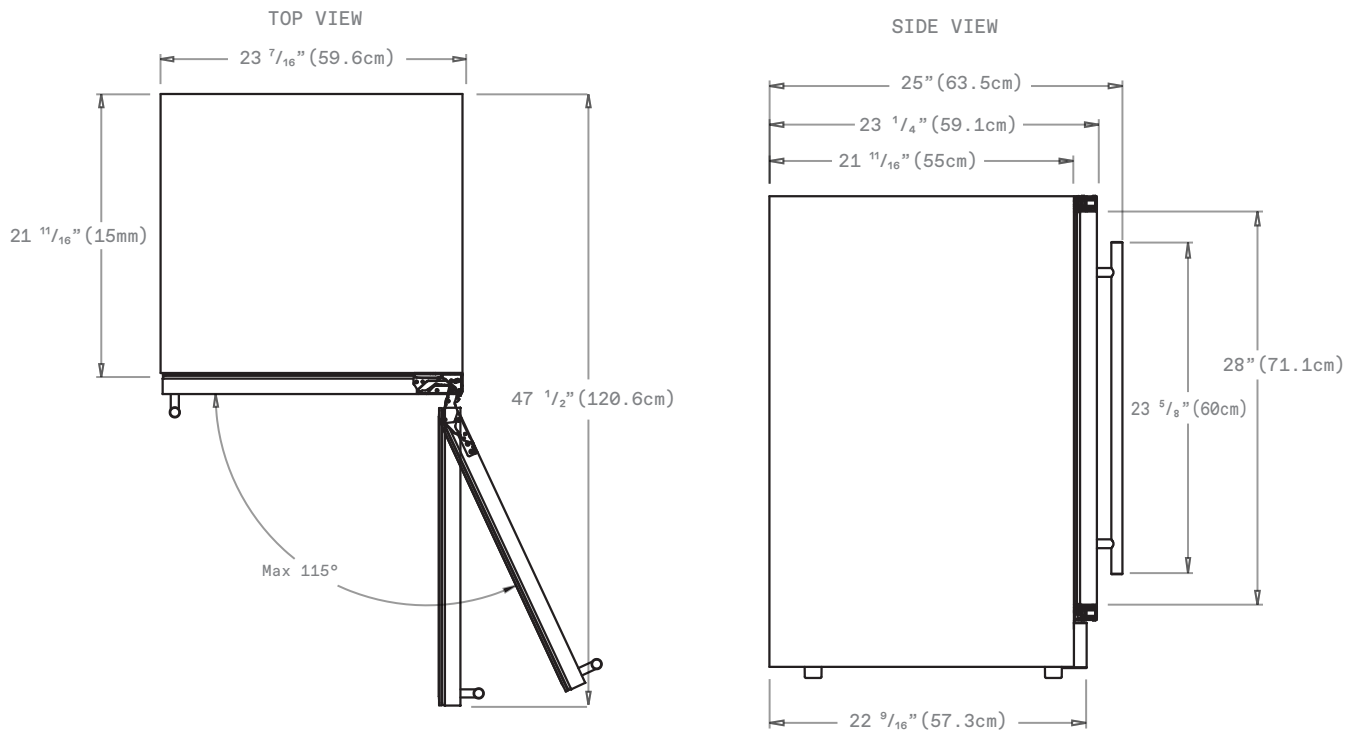
|                           |            |
|---------------------------|------------|
| PRO handle                | KIT0175505 |
| Carbon filter replacement | L00114-1   |

**WARRANTY:\*\*\***

**Two (2) Years Parts & In-Home Labor. Earn an additional One (1) Year of Parts & In-Home Labor by registering on [elica.com](http://elica.com)**

\* The product images shown are for illustration purposes only and may not be an exact representation of the product.  
 \*\* For valid warranty extension, register within 3 months from purchase. For USA & Canada Users Only.

## LINE DRAWINGS



## PANEL DIMENSIONS

### Overlay Panel Dimension:

|                      |                     |
|----------------------|---------------------|
| Door Panel Width     | $23 \frac{1}{8}''$  |
| Door Panel Height    | $30 \frac{3}{16}''$ |
| Door Panel Depth     | $\frac{3}{4}''$ max |
| Door Panel Weight    | 10 lbs max          |
| Viewable Area Width  | $18 \frac{3}{4}''$  |
| Viewable Area Height | $23 \frac{1}{2}''$  |

