

EWS52SS1

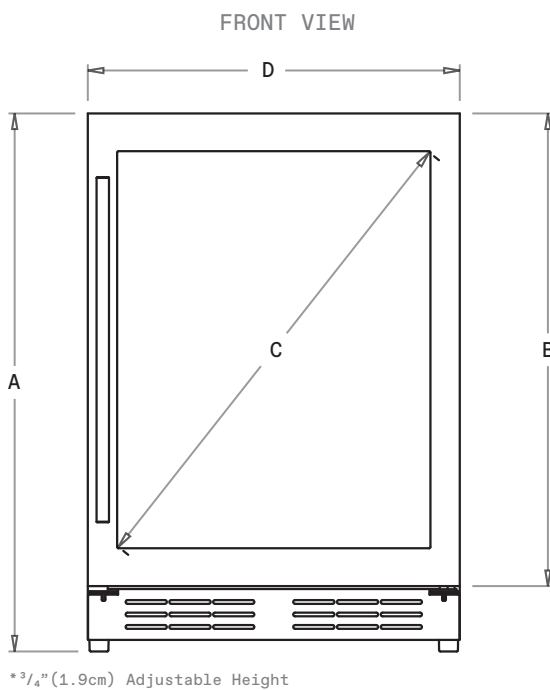
Specification sheet

Wine cellar | Single door dual zone



Learn more

MEASUREMENTS



EWS52SS1	
A	33 $\frac{7}{8}$ " (86 cm)
B	29 $\frac{13}{16}$ " (75.7cm)
C	31 $\frac{19}{16}$ " (78.7cm)
D	23 $\frac{7}{16}$ " (59.5 cm)

DESCRIPTION

RISERVA - EWS52SS1 with dual temperature zones is designed to store a variety of quality wines and preserve them under optimal conditions. As the global ventilation leader, Elica understands in depth, the importance of maintaining the right temperature, humidity, light and low vibration to ensure the right environment for safe preservation and aging. RISERVA natural beechwood shelves are full extension for easy and safe access to each bottle.



FEATURES

- Open door alarm
- Concealed hinge
- High efficiency carbon filters
- EPC technology
- Quiet operation
- Eco-mode



GENERAL PROPERTIES

Standard Width	24"
Model	EWS52SS1
Dimensions	23 7/16"W x 23 7/16"D x 33 7/8"H
Weight	128 lbs
Installation type	Built-In & free standing
Refrigeration type	R600a
Volume	4.8 cu ft(135L)
Sound level	39 dBA
Door finish	304 stainless steel + Tempered Glass
Cabinet finish	Black
Interior finish	Black
Hinge design	Concealed
Lighting	3 level white LED
Controls	Capacitive Touch Display with white numbers

COOLING ZONE 1 - WHITE WINES

Total Capacity	16 bottles of wine (25 oz)
Temperature Ranges	40° to 50°F
Shelving	2 Full extension racks of beechwood with metal front trim

COOLING ZONE 2 - RED WINES

Total Capacity	36 Bottles of wine (25 oz)
Temperature Range	50° to 64°F
Shelving	3 full extension rack of beechwood with metal front trim

WARRANTY:***

Two (2) Years Parts & In-Home Labor. Earn an additional One (1) Year of Parts & In-Home Labor by registering on elica.com

DOOR

Door handle	Tubular
Door tempered glass	Tinted dual pane, Low-e argon-filled
Reversible Door	Yes

ELECTRICAL SPECIFICATIONS

Compressor Brand	Embraco
Min. Circuit Required	15 A
AC Power	110-120V / 60HZ
Amperage	0.95A
Plug type	B

OTHER FEATURES

Sabbath mode
Superior full extension racks
Premium beechwood wine racks
White LED lights with 3 level Kelvin shade adjustment
Anti Vibration technology & Anti Damping system
Double panel tempered glass door, UV coated
Stylish look with tubular handle
Elica perfect climate technology

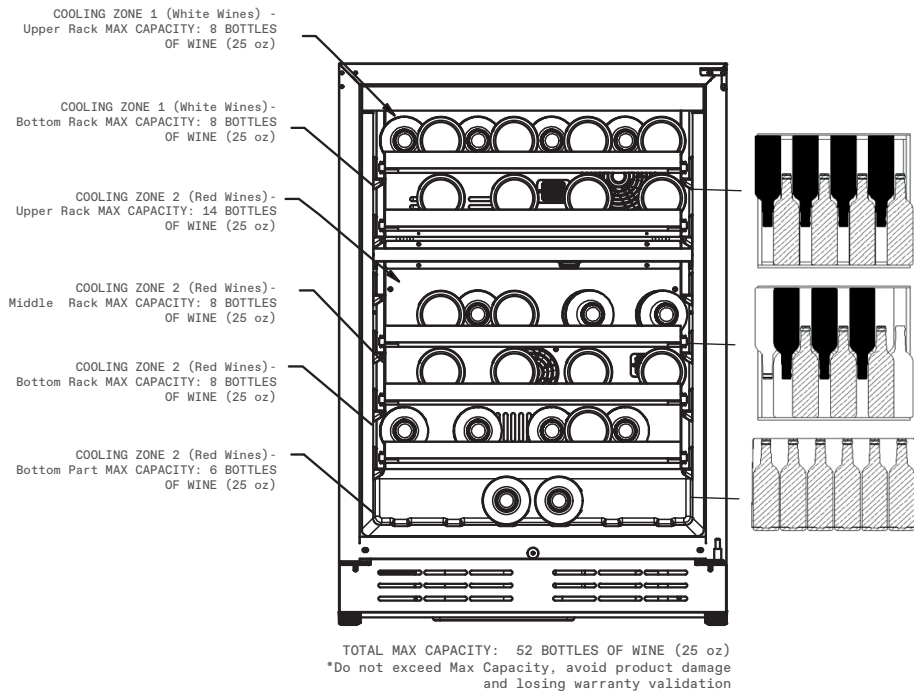
KITS

Carbon filter Replacement	L00114-1
PRO handle	KIT0175505

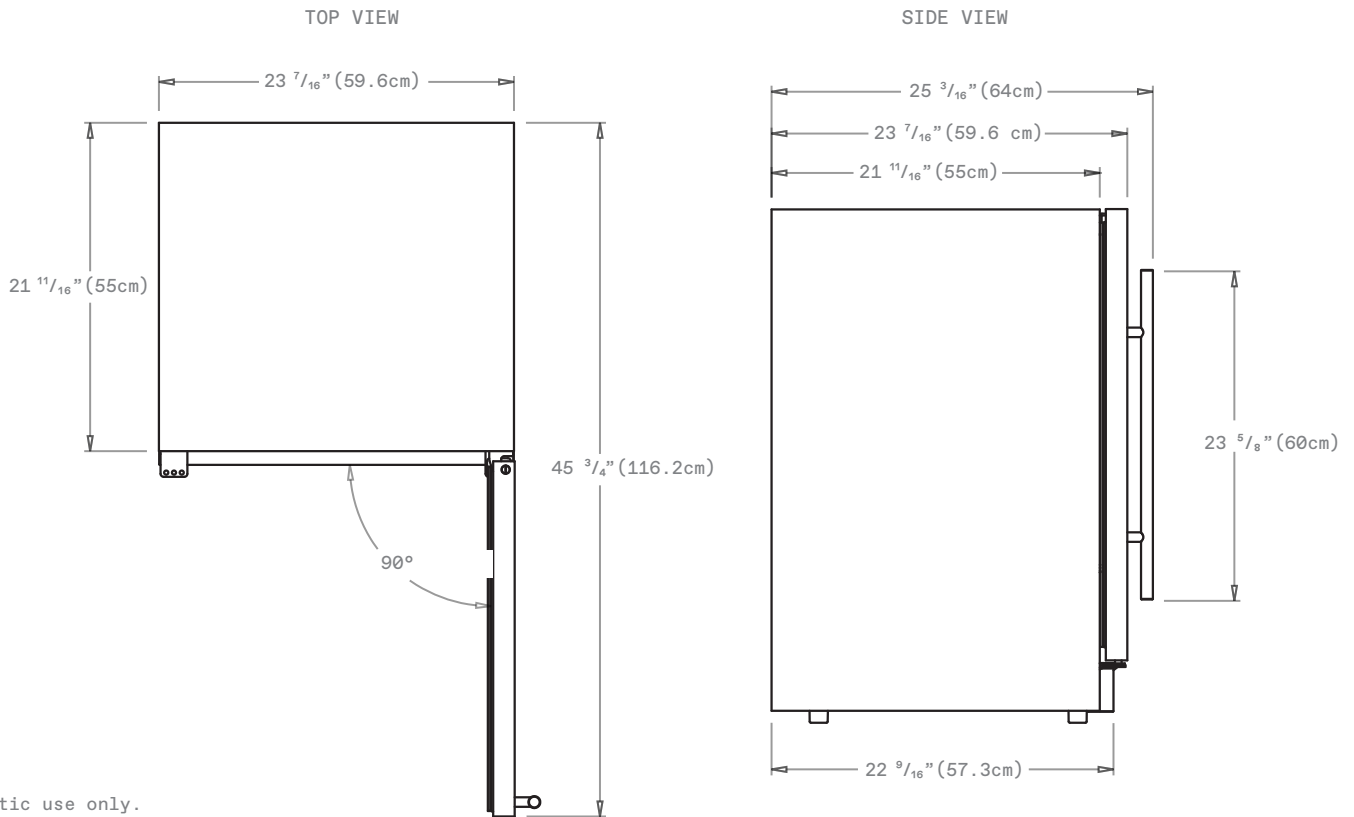
* The product images shown are for illustration purposes only and may not be an exact representation of the product.

** For valid warranty extension, register within 3 months from purchase. For USA & Canada Users Only.

STORAGE CAPACITY



LINE DRAWINGS



Domestic use only.
Refrigeration, no freezing capability.
Compressor included.

