

EBD51SS1

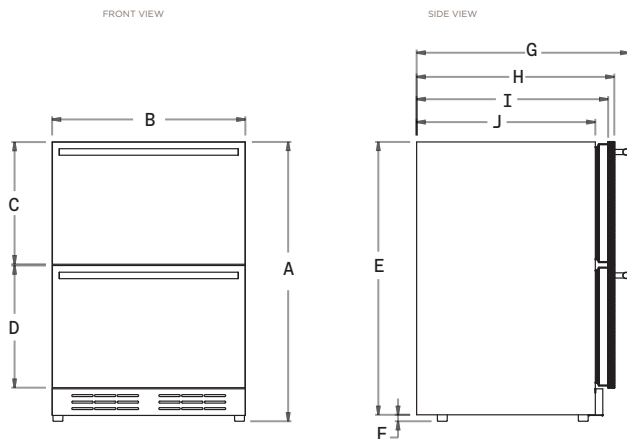
Specification sheet

Undercabinet refrigeration drawers



Learn
more

MEASUREMENTS



	EBD51SS1
A	33 ⁷ / ₈ " (86cm)
B	23 ⁷ / ₁₆ " (59.6cm)
C	14 ¹³ / ₁₆ " (37.6cm)
D	14 ¹³ / ₁₆ " (37.6cm)
E	33 ¹ / ₁₆ " (84cm)
F	¹³ / ₁₆ " (2cm)
G	25 ³ / ₄ " (65.4cm)
H	24" (61cm)
I	23 ¹ / ₄ " (59.1cm)
J	21 ¹ / ₈ " (55cm)

DESCRIPTION

RISERVA - EBD51SS1 is the perfect solution for your refrigeration needs. This Single Zone Double Drawer Unit comes with 304 Stainless Steel solid doors and is designed to be Panel Ready Convertible, allowing them to seamlessly blend into your kitchen cabinetry.

The drawers are spacious and can accommodate up to 135 L. Featuring an electronic control panel with a white LED readout, providing easy access to temperature adjustments ranging from 34° to 64°. With its sleek design, this drawer unit is sure to add style and functionality to your kitchen.



FEATURES

- Open door alarm
- Smart storage
- Eco-mode
- Panel ready
- EPC technology
- Quiet operation



GENERAL PROPERTIES

Standard Width	24"
Model	EBD51SS1
Dimensions	23 7/16"W x 24"D x 33 7/8" H
Weight	130 lbs
Installation type	Built-In & free standing
Refrigeration type	R600a
Volume	4.7 cu ft(137L)
Sound level	39 dBA
Door finish	304 stainless steel/panel ready
Door handle	Tubular
Cabinet finish	Black
Interior finish	304 Stainless steel
Lighting	White LED
Controls	Electronic control with white LED readout
Temperature Range	34° to 64°F

TOP DRAWER

Total Capacity	54 cans (12 oz)
Drawer dividers	2 adjustable stainless steel dividers

TOP DRAWER

Total Capacity	59 cans (12 oz)
Drawer dividers	1 Fixed tubular divider

ELECTRICAL SPECIFICATIONS

Compressor Brand	Embraco
Min. Circuit Required	15 A
AC Power	115V / 60HZ
Amperage	1.25A
Plug type	B

OTHER FEATURES

Sabbath mode
Full extension drawers with telescopic rollers
Soft closing drawers
Open door alarm
Anti vibration technology
Adjustable thermostat & temperature memory function
Stylish look with tubular handle
Anti damping system
Smart storage
Elica Perfect Climate technology
Quiet operation

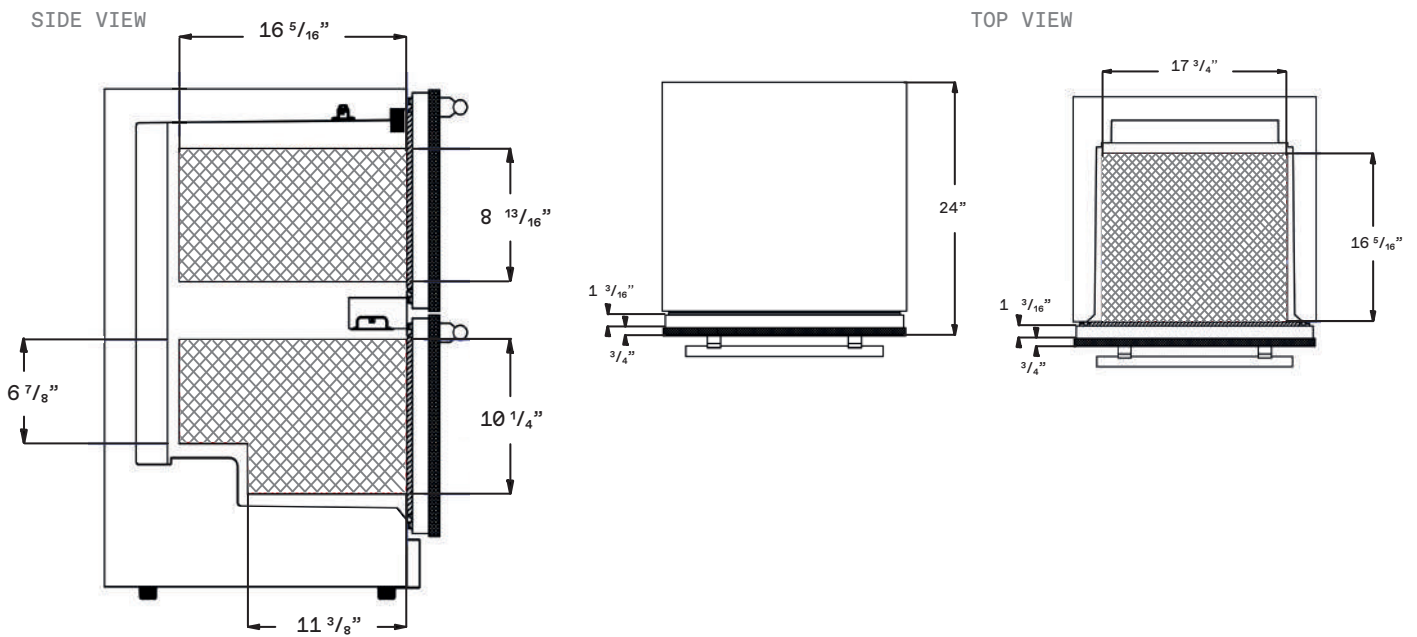
KITS

Carbon filter Kit	L00114-1
PRO handle (2 kits required)	KIT0100025

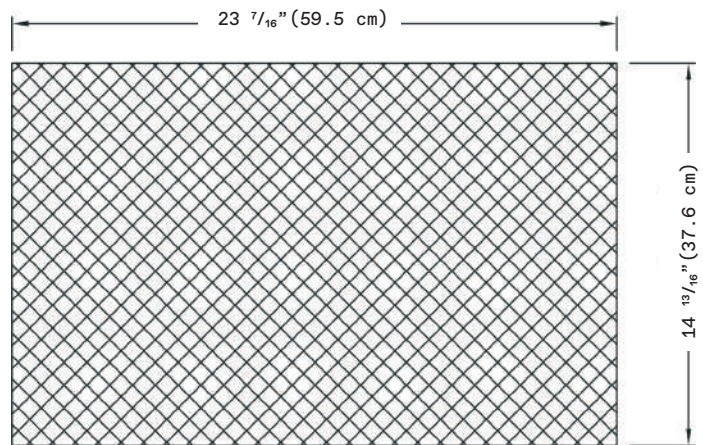
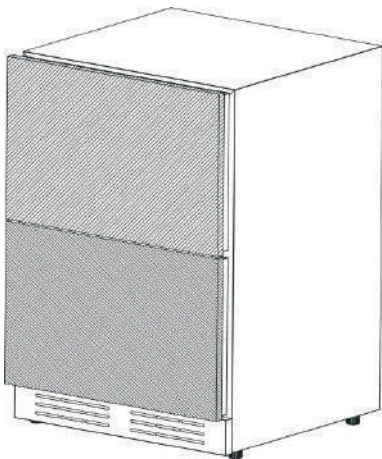
WARRANTY:* Two (2) Years Parts & In-Home Labor. Earn an additional One (1) Year of Parts & In-Home Labor by registering on elica.com**

* The product images shown are for illustration purposes only and may not be an exact representation of the product.
 ** For valid warranty extension, register within 3 months from purchase. For USA & Canada Users Only.

STORAGE CAPACITY



PANEL DIMENSIONS PER DRAWER



Same panel for top & bottom drawers

Overlay Panel Dimension:

Door Panel width	$23 \frac{7}{16}''$ (59.5 cm)
Door panel height	$14 \frac{13}{16}''$ (37.6 cm)
Door panel depth	$\frac{3}{4}''$ max (1.9 cm)



Intertek

Domestic use only.
Refrigeration, no
freezing capability.
Compressor included.