

EBS51SS1

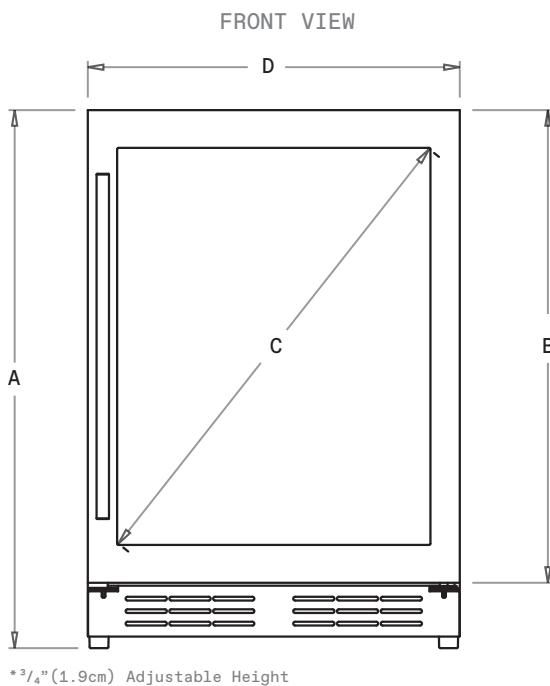
Specification sheet

Beverage center | Single door single zone



Learn more

MEASUREMENTS



	EBS51SS1
A	33 $\frac{7}{8}$ " (86 cm)
B	29 $\frac{19}{16}$ " (75.7cm)
C	31 $\frac{19}{16}$ " (78.7cm)
D	23 $\frac{7}{16}$ " (59.5 cm)

DESCRIPTION

RISERVA - EBS51SS1 creates the dream conditions for your favorite seltzer drinks. This 24" undercabinet refrigerator has the capacity to fit up to 120 cans (12oz). Featuring 3 adjustable slide out Tempered Glass shelves, 304 Stainless Steel frame with double layered UV resistant glass door and an exclusive concealed hinge design that delivers a more refined appear and tighter fit within cabinetry.



FEATURES

- Open door alarm
- Concealed hinge
- High efficiency carbon filters
- EPC technology
- Quiet operation
- Eco-mode



GENERAL PROPERTIES

Standard Width	24"
Model	EBS51SS1
Dimensions	23 7/16"W x 23 7/16"D x 33 7/8"H
Weight	128 lbs
Installation type	Built-In & free standing
Refrigeration type	R600a
Volume	4.8 cu ft(135L)
Sound level	39 dBA
Door finish	304 stainless steel + Tempered Glass
Cabinet finish	Black
Interior finish	Black
Hinge design	Concealed
Lighting	3 level white LED
Controls	Capacitive Touch Display with white numbers
Total Capacity	>120 cans (12 oz cans)
Temperature Ranges	34° to 65°F
Shelving	3 adjustable-slide out-tempered glass shelves with metal front trim (without rollers)

KITS

PRO handle	KIT0175505
Carbon filter replacement	L00114-1

DOOR

Door handle	Tubular
Door tempered glass	Tinted dual pane, Low-e argon-filled
Reversible Door	Yes

ELECTRICAL SPECIFICATIONS

Compressor Brand	Embraco
Min. Circuit Required	15 A
AC Power	110-120V / 60HZ
Amperage	0.95A
Plug type	B

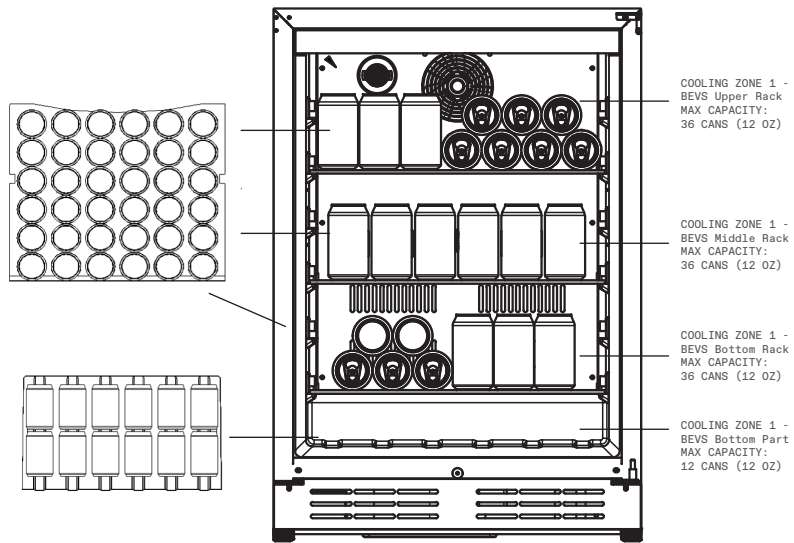
OTHER FEATURES

Sabbath mode
Superior full extension racks
White LED lights with 3 level Kelvin shade adjustment
Anti vibration technology & anti damping system
Double panel tempered glass door, UV coated
Stylish look with tubular handle
Beverage Shelving made of Tempered Glass
Elica Perfect Climate technology

WARRANTY:* Two (2) Years Parts & In-Home Labor. Earn an additional One (1) Year of Parts & In-Home Labor by registering on elica.com**

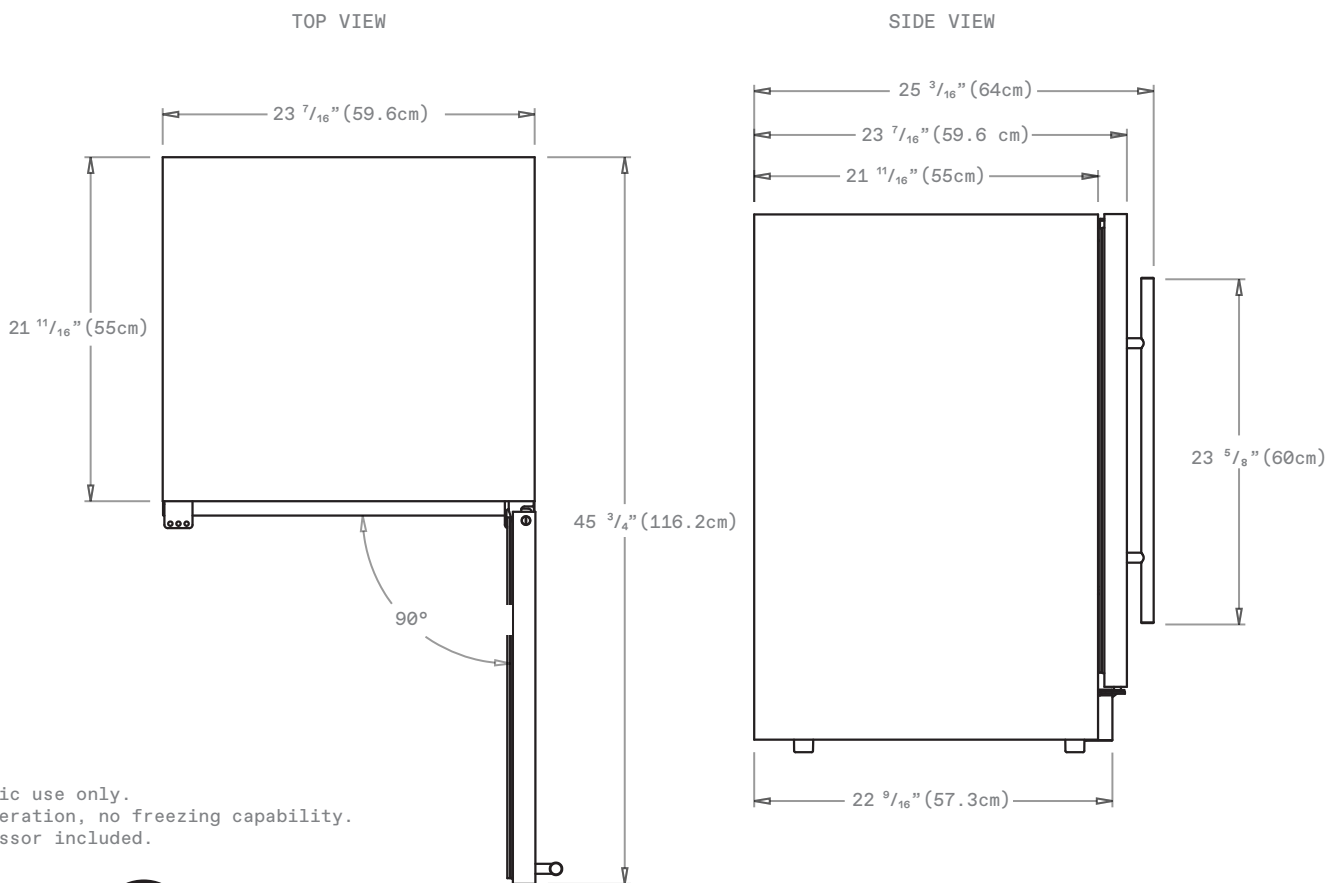
* The product images shown are for illustration purposes only and may not be an exact representation of the product.
 ** For valid warranty extension, register within 3 months from purchase. For USA & Canada Users Only.

STORAGE CAPACITY



TOTAL MAX CAPACITY: 120 CANS (12 oz).
 *Do not exceed Max Capacity, avoid product damage and losing warranty validation

LINE DRAWINGS



Domestic use only.
 Refrigeration, no freezing capability.
 Compressor included.

