

# EBS52SS1

Specification sheet

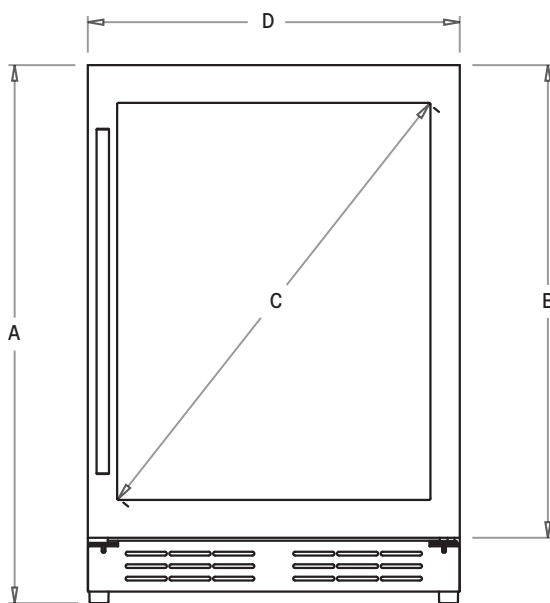
## Beverage & wine center | Single door



Learn more

### MEASUREMENTS

FRONT VIEW



\* $\frac{3}{4}$ " (1.9cm) Adjustable Height

	EBS52SS1
A	33 $\frac{7}{8}$ " (86 cm)
B	29 $\frac{19}{16}$ " (75.7cm)
C	31 $\frac{19}{16}$ " (78.7cm)
D	23 $\frac{7}{16}$ " (59.5 cm)

### DESCRIPTION

A brilliant solution that meet all your needs, RISERVA - EBS52SS1 24", features two different cooling zones, adjustable to different temperatures to preserve a variety of beverages and wines to their optimum freshness. Its UV double layered tempered Glass Door shields bottles from aging, while Elica's Perfect Climate technology (EPC) ensures a consistent air flow between bottles for optimum preservation.



### FEATURES

- Open door alarm
- Concealed hinge
- High efficiency carbon filters
- EPC technology
- Quiet operation
- Eco-mode



### GENERAL PROPERTIES

Standard Width	24"
Model	EBS52SS1
Dimensions	23 7/16"W x 23 7/16"D x 33 7/8"H
Weight	128 lbs
Installation type	Built-In & free standing
Refrigeration type	R600a
Volume	4.8 cu ft(135L)
Sound level	39 dBA
Door finish	304 stainless steel + Tempered Glass
Cabinet finish	Black
Interior finish	Black
Hinge design	Concealed
Lighting	3 level white LED
Controls	Capacitive Touch Display with white numbers

### COOLING ZONE 1 - BEVERAGES

Total Capacity	72 cans (12 oz cans)
Temperature Ranges	34 to 50°F
Shelving	2 Adjustable tempered slide out glass shelves

### COOLING ZONE 2 - WINES

Total Capacity	14 Bottles of wine (25 oz)
Temperature Range	40° to 64°F
Shelving	1 full extension rack of beechwood with metal front

### DOOR

Door handle	Tubular
Door tempered glass	Tinted dual pane, Low-e argon-filled
Reversible Door	Yes

### ELECTRICAL SPECIFICATIONS

Compressor Brand	Embraco
Min. Circuit Required	15 A
AC Power	110-120V / 60HZ
Amperage	0.95A
Plug type	B

### OTHER FEATURES

Sabbath mode
Superior full extension racks
Premium beechwood wine racks
White LED lights with 3 level Kelvin shade adjustment
Anti Vibration technology & Anti Damping system
Double panel tempered glass door, UV coated
Stylish look with tubular handle
Beverage Shelving made of Tempered Glass
Elica Perfect Climate technology

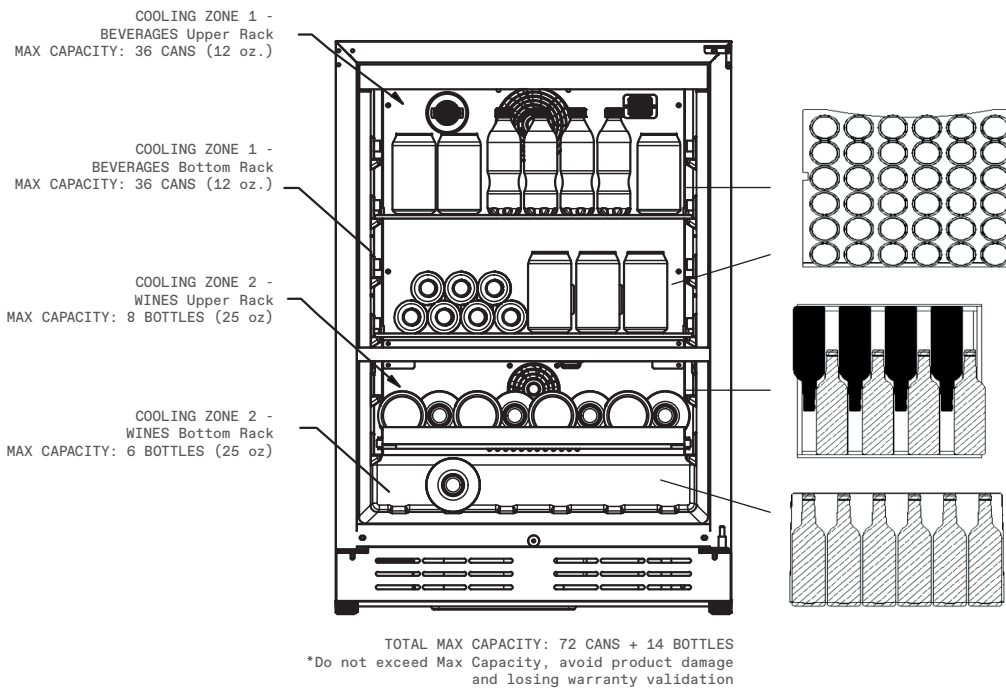
### KITS

Carbon filter Replacement	L00114-1
PRO handle	KIT0175505

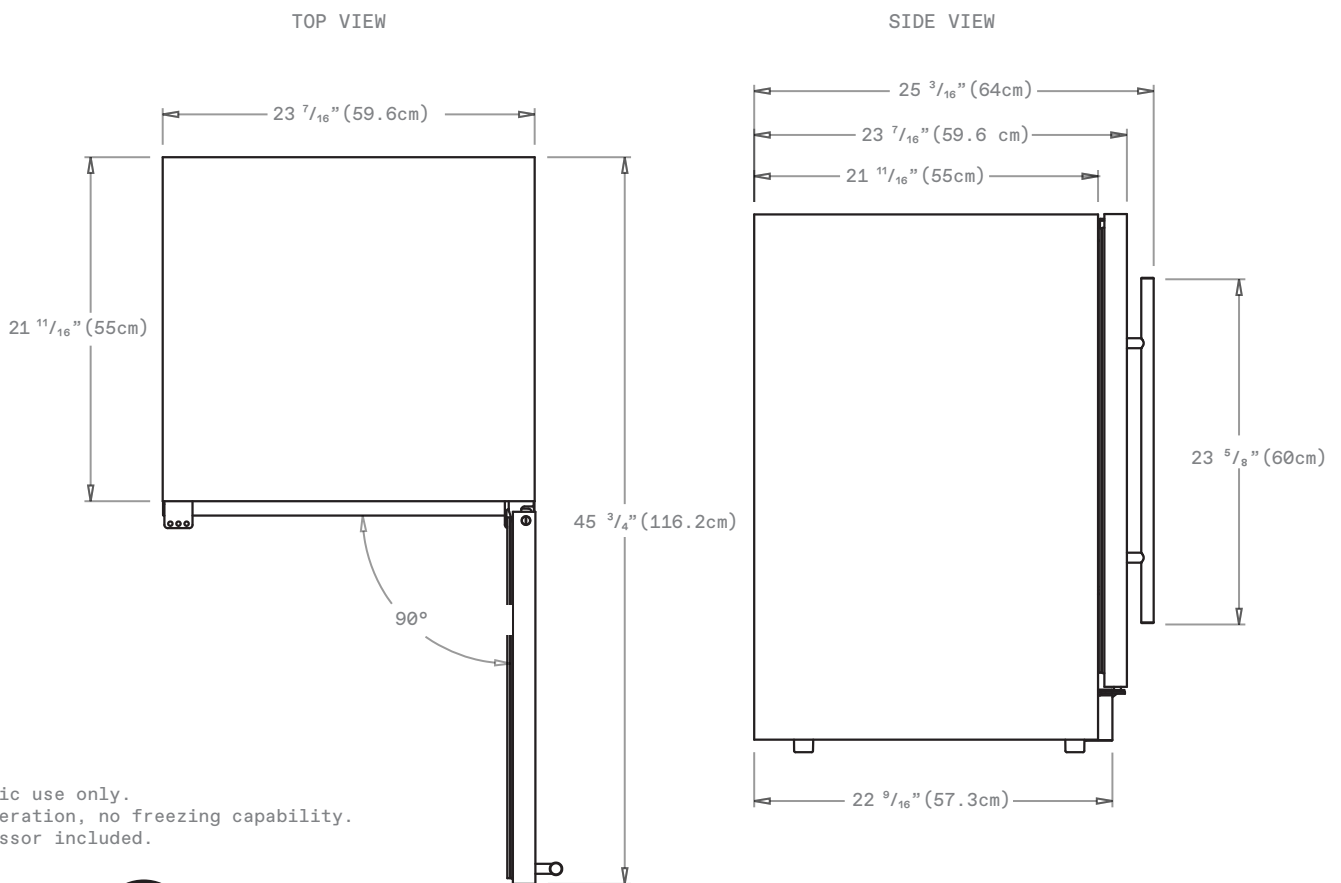
**WARRANTY:\*\*\* Two (2) Years Parts & In-Home Labor. Earn an additional One (1) Year of Parts & In-Home Labor by registering on elica.com**

\* The product images shown are for illustration purposes only and may not be an exact representation of the product.  
 \*\* For valid warranty extension, register within 3 months from purchase. For USA & Canada Users Only.

## STORAGE CAPACITY



## LINE DRAWINGS



Domestic use only.  
Refrigeration, no freezing capability.  
Compressor included.

