

Rise

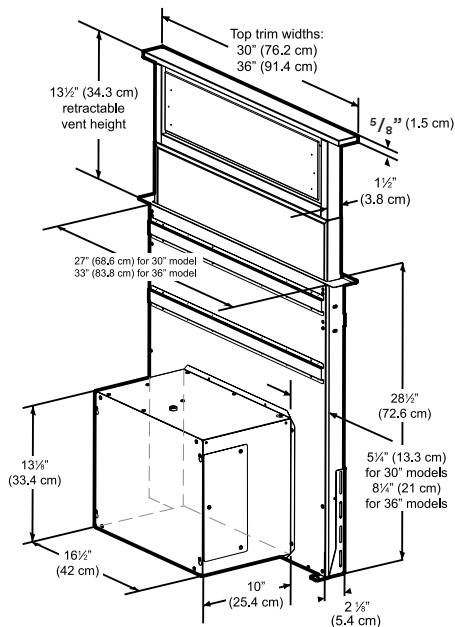
Downdraft hood



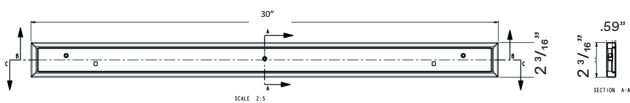
Learn
more

MEASUREMENTS

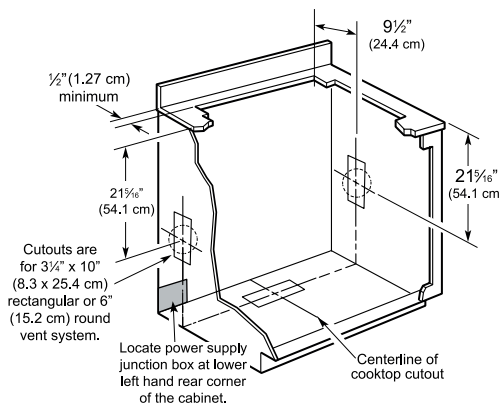
Hood Dimensions



Top Rim Dimensions



Cabinet Dimensions



DESCRIPTION

When the view out your kitchen window is too spectacular to disrupt with a range hood, Elica's Rise is the perfect solution. Rise recesses completely out of sight into the countertop when not in use, but when it's time to cook, it elevates a full 14" above the countertop—almost twice the height of competitors—for added ventilating efficiency. Additionally, Elica's Perimeter Aspiration Technology increases suction by 35%, effectively drawing air from the front burner to create the best functioning downdraft on the market. Rise comes equipped with a powerful 600 CFM internal blower, operated by an electronic rotating control mounted into the countertop or cabinet face. For maximum flexibility, the blower can be rotated to the opposite side to make room for a floor-mounted range.



FEATURES

 Perimeter aspiration

 Top performance



GENERAL PROPERTIES

Width	30"	36"
Model	ERS630S1	ERS636S1
Dimensions	30"W x 12 1/2"D x 14"H	36"W x 12 1/2"D x 14"H
Blower Type (Internal) ¹	600 CFM (3-speed+ boost)	
Noise (Min-max sones) ¹	1.7-6.8 Sones	
Electrical	120V-60Hz, 550W	
Finish	Stainless Steel	
Controls	External electronic rotating disk	
Grease filters	Dishwasher-Safe, anodized aluminum mesh filter + perimeter aspiration	
Installation type	Ducted only	
Duct transition	3 1/4" x 10" rectangular or round 6" discharge (3 way directional)	

WARRANTY:² Two (2) Years Parts & In-Home Labor. Earn an additional One (1) Year of Parts & In-Home Labor by registering on elica.com



The product images shown are for illustration purposes only and may not be an exact representation of the product.
¹ CFM and Noise data indicate the performance of the hood blower tested according to international standards. For AHAM Certified Ratings, established in accordance with California Title 24 Standardized test procedure, please refer to AHAM Certified Product Directory. Electric Ratings are declared according to UL.

² For valid warranty extension, register within 3 months from purchase. For USA & Canada Users Only.