

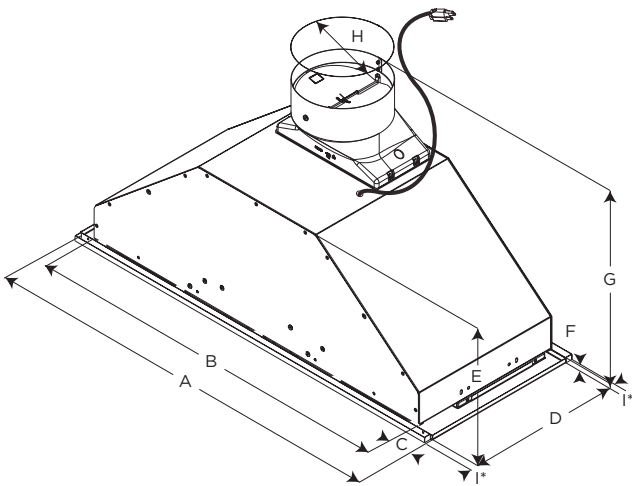
Palermo

Insert hood



Learn
more

MEASUREMENTS



	EPR628S1	EPR634SS
A	28 1/4" (71.8 cm)	34 1/4" (86.7 cm)
B	26" (66 cm)	
C	1 5/16" (3 cm)	4 1/16" (10.3 cm)
D	10 3/4" (27.3 cm)	
E	9 1/2" (24.2 cm)	
F	7/8" (.85 cm)	
G	14 9/16" (37 cm)	
H	6" (15.2 cm)	
I*	1/2" (1.27 cm)	

I* - Metallic spacers: spacers have to be installed and used when cabinet depth is greater than 12".

DESCRIPTION

Palermo provides professional-grade performance, while its 28" and 34" width models with a 10 3/4" depth enable it to be discreetly installed within standard 12" deep cabinetry, making it ideal for smaller kitchens or where the range hood needs to be out of sight. Palermo features a powerful 600 CFM blower to support most cooking needs. Stylish stainless steel push button controls operate a 3-speed blower and LED lighting. Easy maintenance, higher efficiency, and a cleaner kitchen are ensured by Elica's Baffle Slot Filters, which capture a higher percentage of grease and hold larger volumes of grease than traditional baffle filters. Palermo is designed for both ducted and recirculating installations.



FEATURES

- Semi baffle filter
- Hush system
- Led light
- Top performance



GENERAL PROPERTIES

Width	28"	34"
Model	EPR628S1	EPR634SS
Dimensions	28 1/4"W x 10 3/4"D x 9 1/2"H	34 1/4"W x 10 3/4"D x 9 1/2"H
Blower Type (Internal) ¹	600 CFM (3-speed)	
Noise (Min-max sones) ¹	1.7-6.8 Sones	
Electrical	120V-60Hz, 455W	
Illumination	2 LED, 2.1W, 4000K	
Finish	Stainless Steel	
Controls	Stainless steel push buttons	
Grease filters	Dishwasher-Safe, stainless steel baffle slot	
Installation type	Ducted or recirculating with kit (sold separately)	
Duct transition	Round 6" with backdraft damper (top only)	

KITS

Recirculating Kit	KIT02770 (Contains 2 round carbon filters and cabinet grate)	
Electronic CFM Reduction Bypass	KIT0175561 (Achieves <300 CFM)	
Optional 30" hood liner	KIT02773 (29"W x 17 1/2"-20 1/2"D x 4"H)	Not applicable
Optional 36" hood liner	KIT02774 (35"W x 17 1/2"-20 1/2"D x 4"H)	Not applicable

WARRANTY:² Two (2) Years Parts & In-Home Labor. Earn an additional One (1) Year of Parts & In-Home Labor by registering on elica.com



The product images shown are for illustration purposes only and may not be an exact representation of the product.

¹ CFM and Noise data indicate the performance of the hood blower tested according to international standards. For AHAM Certified Ratings, established in accordance with California Title 24 Standardized test procedure, please refer to AHAM Certified Product Directory. Electric Ratings are declared according to UL.

² For valid warranty extension, register within 3 months from purchase. For USA & Canada Users Only.