

# Nemi black & white

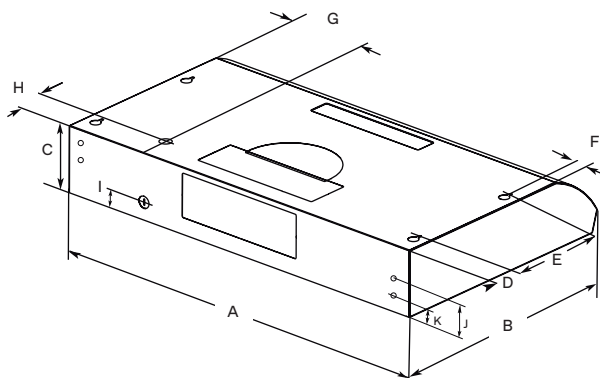
## Undercabinet hood

Specification sheet



Learn more

### MEASUREMENTS





	ENM230B1 ENM230W1
A	30" (76.2 cm)
B	18 <sup>5</sup> / <sub>8</sub> " (47.3 cm)
C	4 <sup>15</sup> / <sub>16</sub> " (12.5 cm)
D	1 <sup>1</sup> / <sub>2</sub> " (3.9 cm)
E	9" (22.9 cm)
F	1" (2.5 cm)
G	6 <sup>9</sup> / <sub>16</sub> " (16.7 cm)
H	1 <sup>15</sup> / <sub>16</sub> " (5 cm)
I	<sup>7</sup> / <sub>8</sub> " (2.2 cm)
J	1 <sup>1</sup> / <sub>16</sub> " (2.6 cm)
K	1 <sup>7</sup> / <sub>16</sub> " (3.6 cm)

### DESCRIPTION

Nemi colors sports a slender 5" height and soft curves, designed to modernize and perfectly fit kitchens where space is premium. It features a 3-speed, 280 CFM internal blower, which provides sufficient ventilating power for most kitchens. The stainless steel push button controls allow for easy adjustment of blower speeds and dual LED lamps. A single dishwasher-safe anodized aluminum mesh filter is easy to clean. Available in Black and White, Nemi colors is designed for standard ducted installation and can be installed as a recirculating system, using the Recirculating Kit, available as an accessory.



### FEATURES

-  3x layer mesh
-  Led light



### GENERAL PROPERTIES

Width	30"	
Model	ENM230B1	ENM230W1
Dimensions	30"W x 18 5/8"D x 5"H	
Blower Type <sup>1</sup> (Internal)	280 CFM (3-speed)	
Noise (Min-max sones) <sup>1</sup>	1.3-4.9 Sones	
Electrical	120V-60Hz, 210W	
Illumination	2 LED, 2.1W, 3000K, 235 Lumen	
Finish	Black	White
Controls	Backlit electronic push buttons	
Filters	Dishwasher-safe, anodized aluminum mesh filter	
Installation type	Ducted or recirculating wit kit (sold separately)	
Duct transition	3 1/4" x 10" (top rear), or 7" round (sold separately)	

### KITS

Recirculating kit	KIT02179
Backdraft damper	KIT02723 (7" round)
Duct transition	KIT02722 (7" round)

**WARRANTY:<sup>2</sup> Two (2) Years Parts & In-Home Labor. Earn an additional One (1) Year of Parts & In-Home Labor by registering on elica.com**



The product images shown are for illustration purposes only and may not be an exact representation of the product.

<sup>1</sup> CFM and Noise data indicate the performance of the hood blower tested according to international standards. For AHAM Certified Ratings, established in accordance with California Title 24 Standardized test procedure, please refer to AHAM Certified Product Directory. Electric Ratings are declared according to UL.

<sup>2</sup> For valid warranty extension, register within 3 months from purchase. For USA & Canada Users Only.