

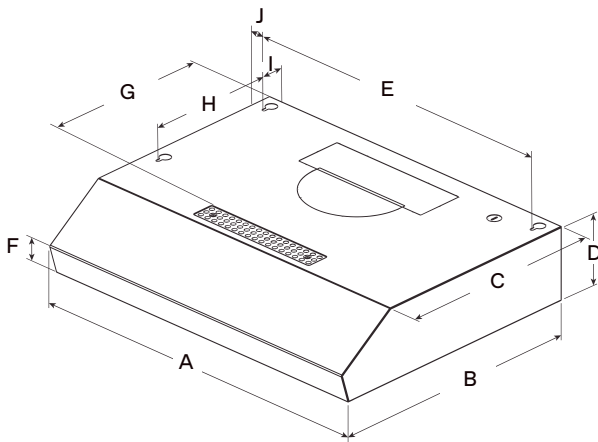
Gubbio

Undercabinet hood



Learn
more

MEASUREMENTS



EGB224SS

A	24" (61 cm)
B	18 ⁷ / ₈ " (47.9 cm)
C	14 ¹ / ₂ " (36.8 cm)
D	4 ¹⁵ / ₁₆ " (12.5 cm)
E	22 ¹ / ₄ " (56.5 cm)
F	2" (5 cm)
G	12 ¹ / ₄ " (31.1 cm)
H	9 ⁵ / ₈ " (24.4 cm)
I	1 ¹ / ₂ " (3.8 cm)
J	1" (2.5 cm)

DESCRIPTION

Gubbio is the perfect option for a functional kitchen with reduced space. Equipped with a 3-speed blower (generating 250 CFM airflow), and LED lighting, this undercabinet hood is ideal for builder projects.



FEATURES

-  3x layer mesh
-  Led light



GENERAL PROPERTIES

Width	24"
Model	EGB224SS
Dimensions	24"W x 18 7/8"D x 4 15/16"H
Blower Type ¹ (Internal)	250 CFM (3-speed)
Noise (Min-max sones) ¹	0.4-4.5 Sones
Electrical	120V-60Hz, 115W
Illumination	2 LED, 2.1W, 3000K, 235 Lumen
Finish	Stainless Steel
Controls	Mechanical slider
Filters	Dishwasher-safe, anodized aluminum mesh filter
Installation type	Ducted or recirculating with kit (sold separately)
Duct transition	3 1/4" x 10" Rectangular (top rear) OR 7" Round (Sold Separately)

KITS

Recirculating kit	KIT0140997
Backdraft damper	KIT02723 (7" round)
Duct transition	KIT02722 (7" round)

WARRANTY:² Two (2) Years Parts & In-Home Labor. Earn an additional One (1) Year of Parts & In-Home Labor by registering on elica.com



The product images shown are for illustration purposes only and may not be an exact representation of the product.
¹ CFM and Noise data indicate the performance of the hood blower tested according to international standards. For AHAM Certified Ratings, established in accordance with California Title 24 Standardized test procedure, please refer to AHAM Certified Product Directory. Electric Ratings are declared according to UL.

² For valid warranty extension, register within 3 months from purchase. For USA & Canada Users Only.