

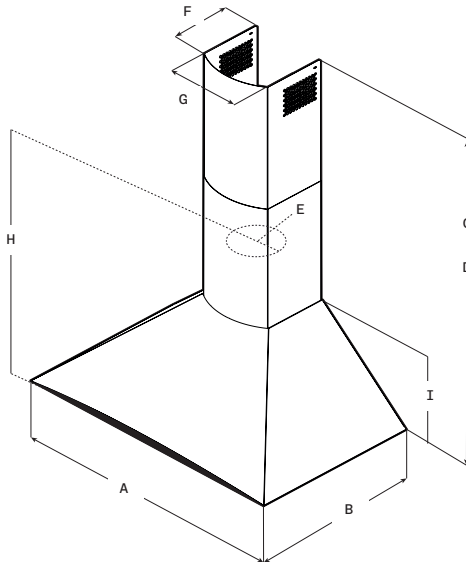
# Foglia

## Wallmount hood



Learn  
more

### MEASUREMENTS



	EFG630S1	EFG636S1
A	30" (76.2 cm)	36" (91.4 cm)
B	19 7/8" (50.6 cm)	
C*	Max: 42 1/8" (107 cm) Min: 28 3/8" (72.1 cm)	
D**	Max: 38 3/16" (97 cm) Min: 28 3/8" (73 cm)	
E	6" (15.2 cm)	
F	8" (20.5 cm)	
G	8 3/16" (21.5 cm)	
H	14 13/16" (37.6 cm)	
I	10 7/8" (25.8 cm)	

\*Ductless (recirculating)  
\*\*Ducted version

### DESCRIPTION

With a black panel and polished stainless steel, Foglia features a gently arched front that softens its profile and provides an angled panel for easy access to the controls. Available in 30" and 36" widths, Foglia includes a powerful 600 CFM blower, dimmable LED lighting, stainless steel microhole filters, and capacitive touch controls for convenience and safety. Designed for standard ducted installation, Foglia can also be installed as a recirculating system using the optional Recirculating Kit.



### FEATURES

Hush system

Dim light

Top performance

Touch controls

CFM reduction system

Led light



### GENERAL PROPERTIES

Width	30"	36"
Model	EFG630S1	EFG636S1
Dimensions	30"W x 19 11/16"D x min 28 3/8 max 42 1/8"H	36"W x 19 11/16"D x min 28 3/8 max 42 1/8"H
Blower Type (Internal) <sup>1</sup>	600 CFM (3-speed+ boost)	
Noise (Min-max sones) <sup>1</sup>	1.7-6.8 Sones	
Electrical	120V-60Hz, 455W	
Illumination	2 premium dimmable LED, 2.1W, 4000K	
Finish	Stainless Steel with black tempered glass	
Controls	Multi-function Electronic with black glass touch display	
Grease filters	Stainless steel microhole filter	
Installation type	Ducted or recirculating with kit (sold separately)	
Telescopic chimney	Can reach ceiling heights of min 7'5", max 9'2" (ducted out) & min 7'5", max 9'6" (recirculating)	
Duct transition	Round 6" (top only)	

### KITS

Recirculating Kit	KIT02766 (Contains 6" deflector & 2 round carbon filters)
Chimney Extension	KIT02784 (Can reach 8'5"-11'3" (ducted), 8'7"-11'7" (recirculating))

**WARRANTY:<sup>2</sup> Two (2) Years Parts & In-Home Labor. Earn an additional One (1) Year of Parts & In-Home Labor by registering on [elica.com](http://elica.com)**



The product images shown are for illustration purposes only and may not be an exact representation of the product.  
<sup>1</sup> CFM and Noise data indicate the performance of the hood blower tested according to international standards. For AHAM Certified Ratings, established in accordance with California Title 24 Standardized test procedure, please refer to AHAM Certified Product Directory. Electric Ratings are declared according to UL.

<sup>2</sup> For valid warranty extension, register within 3 months from purchase. For USA & Canada Users Only.