

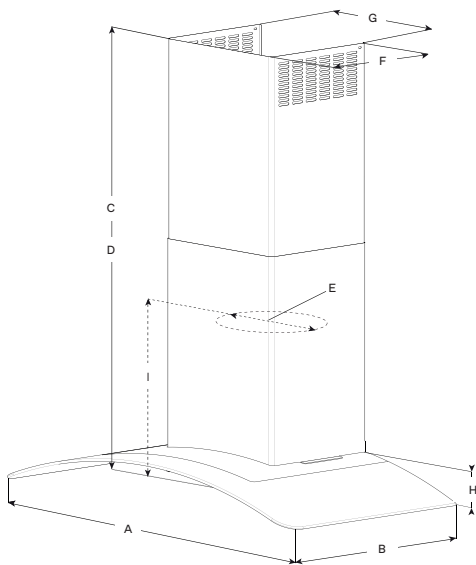
# Como

## Wallmount hood



Learn  
more

### MEASUREMENTS



	ECM630S3	ECM636S3
A	30" (76.2 cm)	36" (91.4 cm)
B	19 1/8" (50.6 cm)	
C*	Max: 54 1/8" (137.6 cm) Min: 33 5/8" (84.7 cm)	
D**	Max: 50 5/8" (127.8 cm) Min: 29 7/8" (75.4 cm)	
E	6" (15.24 cm)	
F	10 3/4" (27.3 cm)	
G	13" (33.1 cm)	
H	3 7/8" (9.4 cm)	
I	12 7/8" (30.9 cm)	

\*Ductless (recirculating)  
\*\*Ducted version

### DESCRIPTION

Como combines arched glass wings and stainless steel to create a light and airy environment, making it the perfect centerpiece for any contemporary kitchen. This gently flowing design is powered by a 600 CFM blower that can handle the demands of today's cooktops. Como is equipped with glass touch controls, dimmable LED lighting, and a dishwasher-safe stainless steel microhole filter. Designed for standard ducted installation, Como can also be installed as a recirculating system using the optional recirculating kit.



### FEATURES

- 🔇 Hush system
- 💡 Dim light
- ⚙️ Top performance
- 👆 Touch controls
- 🌀 CFM reduction system
- 💡 Led light



### GENERAL PROPERTIES

Width	30"	36"
Model	ECM630S3	ECM636S3
Dimensions	30"W x 19 1/16"D x min 33 5/8 max 54 1/6"H	42"W x 25 1/4"D x min 33 5/8 max 54 1/6"H
Blower Type (Internal) <sup>1</sup>	600 CFM (3-speed + boost)	
Noise (Min-max sones) <sup>1</sup>	1.7-6.8 Sones	
Electrical	120V-60Hz, 395W	
Illumination	2 premium dimmable LED, 2.5W, 4000K	
Finish	Stainless Steel with black tempered glass	
Controls	Multi-function Electronic with black glass touch display	
Grease filters	Stainless steel microhole filter	
Installation type	Ducted or recirculating with kit (sold separately)	
Telescopic chimney	Can reach ceiling heights of min 7'6", max 10'2" (ducted out) & min 7'10", max 10'5" (recirculating)	
Duct transition	Round 6" (Top Only)	

### KITS

Recirculating Kit	KIT02721 (Contains 6" deflector & 2 round carbon filters)
Chimney Extension	KIT0100315 (Can reach 8'5" - 12'1" (ducted), 9'1"-12'5" (recirculating))

**WARRANTY:<sup>2</sup> Two (2) Years Parts & In-Home Labor. Earn an additional One (1) Year of Parts & In-Home Labor by registering on elica.com**



The product images shown are for illustration purposes only and may not be an exact representation of the product.  
<sup>1</sup> CFM and Noise data indicate the performance of the hood blower tested according to international standards. For AHAM Certified Ratings, established in accordance with California Title 24 Standardized test procedure, please refer to AHAM Certified Product Directory. Electric Ratings are declared according to UL.

<sup>2</sup> For valid warranty extension, register within 3 months from purchase. For USA & Canada Users Only.