

Cingoli

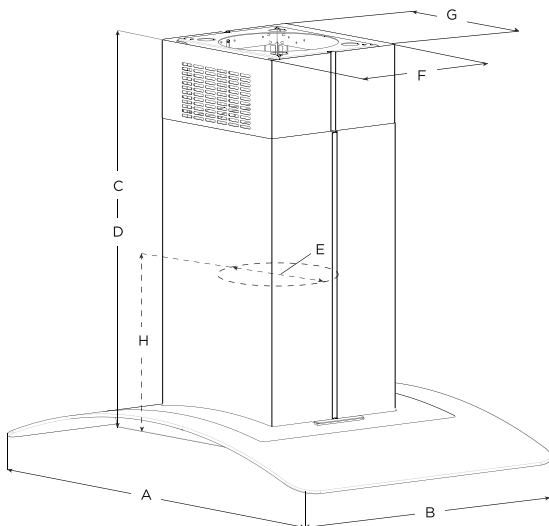
Island hood

Specification sheet



Learn more

MEASUREMENTS



	ECN636S3	ECN642S3
A	36" (91.54 cm)	42" (106 cm)
B	25 1/4" (64 cm)	
C*	Max: 49 1/2" (125.3 cm) Min: 29 3/4" (74.5)	
D**	Max: 44 5/8" (112.4 cm) Min: 29 3/4" (74.5 cm)	
E	6" (15.24 cm)	
F	12" (30.5 cm)	
G	13" (33.2 cm)	
H	15 5/8" (39.6cm)	

*Ductless (recirculating)
** Ducted version

DESCRIPTION

Designed to be suspended above a kitchen island, Cingoli features elegant 36" or 42" arched glass wings that allow natural light to illuminate the surface below. These expansive glass wings are complemented by reflective stainless steel. Cingoli combines beauty with functionality, offering a powerful 600 CFM blower, dishwasher-safe stainless steel microhole filter, and glass touch controls for convenience and safety. Designed for standard ducted installation, Cingoli can also be installed as a recirculating system using the optional Recirculating Kit.



FEATURES

- 🔇 Hush system
- 💡 Dim light
- ⚙️ Top performance
- 👆 Touch controls
- 🔄 CFM reduction system
- 💡 Led light



GENERAL PROPERTIES

Width	30"	36"
Model	ECN636S3	ECN642S3
Dimensions	36"Wx 25 1/4"Dx min 29 3/4 max 49 1/2"H	42"Wx 25 3/16"Dx min 29 3/4 max 49 1/2"H
Blower Type (Internal) ¹	600 CFM (3-speed+ boost)	
Noise (Min-max sones) ¹	1.7-6.8 Sones	
Electrical	120V-60Hz, 394W	
Illumination	2 premium dimmable LED, 2.5W, 4000K	
Finish	Stainless Steel with black tempered glass	
Controls	Multi-function Electronic with black glass touch display	
Grease filters	Stainless steel microhole filter	
Installation type	Ducted or recirculating with kit	
Telescopic chimney	Can reach ceiling heights of min 7'6", max 9'8" (ducted out) & min 7'6", max 10'1" (recirculating)	
Duct transition	Round 6" (Top Only)	

KITS

Recirculating kit	KIT02665
Chimney Extension	KIT0100317

WARRANTY:² Two (2) Years Parts & In-Home Labor. Earn an additional One (1) Year of Parts & In-Home Labor by registering on elica.com



The product images shown are for illustration purposes only and may not be an exact representation of the product.
¹ CFM and Noise data indicate the performance of the hood blower tested according to international standards. For AHAM Certified Ratings, established in accordance with California Title 24 Standardized test procedure, please refer to AHAM Certified Product Directory. Electric Ratings are declared according to UL.

² For valid warranty extension, register within 3 months from purchase. For USA & Canada Users Only.