

Cervinia

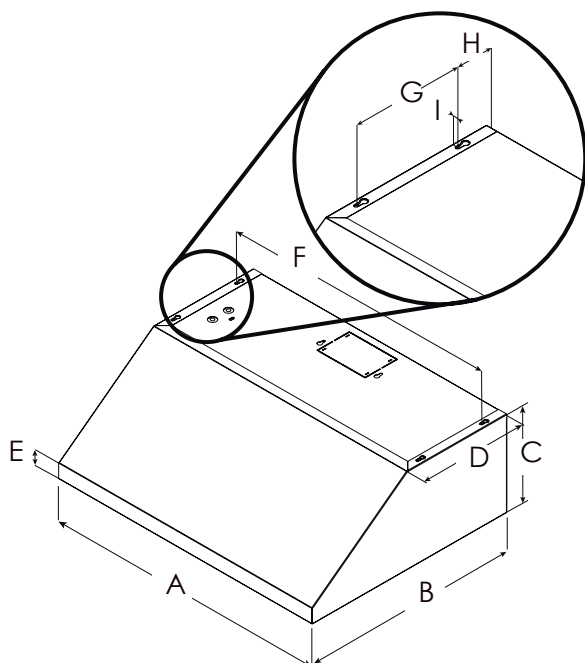
Undercabinet hood

Specification sheet



Learn more

MEASUREMENTS



	ECV630S3	ECV636S3
A	30" (76 cm)	36" (91.54 cm)
B	23" (58.4 cm)	
C	11 1/32" (27.9 cm)	
D	11 9/16" (29.7 cm)	
E	2 1/2" (6.6cm)	
F	29" (73.3 cm)	35" (88.9 cm)
G	7 1/2" (19 cm)	
H	2 9/16" (6.5 cm)	
I	3/8" (1 cm)	






DESCRIPTION

Available in 30" and 36" widths and only 11 1/32" high, the Cervinia is a streamlined version of the full-size Calabria model.

This hood features professional styling, seamless welded corner craftsmanship, a powerful 600 CFM blower with high airflow, heavy duty stainless steel baffle grease filters, Replaceable LED lighting, plus backlit hidden metallic in/out knobs for convenience and safety. Cervinia also delivers higher efficiency and easy maintenance for a cleaner kitchen.



FEATURES

-  Hush system
-  Heat guard
-  Professional performance
-  Grease collectors
-  Seamless look



GENERAL PROPERTIES

Width	30"	36"
Model	ECV630S3	ECV636S3
Dimensions	30"Wx23"Dx11 1/32"H	36"Wx23"Dx11 1/32"H
Blower Type ¹ (Internal)	600 CFM (4-speed)	
Noise (Min-max sones) ¹	1.7-7.0 Sones	
Electrical	120V-60Hz, 457W	
Illumination	2 LED, 6.5W, 3000K, 540 Lumen/Lamp	
Finish	Stainless Steel	
Controls	Fully Retractable Rotating Knobs with Blue backlighting	
Grease filters	Dishwasher-Safe, Professional Stainless Steel Baffle	
Installation type	Ducted or Recirculating with Kit	

KITS

Long Chimney Ext 6"	KIT02159	KIT02158
Long Chimney Ext 12"	KIT02160	KIT02161
Stainless steel Backsplash	KIT0142864	KIT0142867
Inline Blower	KIT0154387 (1200 CFM blower 8" or 10" compatible)	
External Blower	KIT0153054 (1200 CFM blower 8" or 10" compatible)	
Recirculation	KIT02770 (contains 2 round carbon filters & 6" round plastic cabinet grate)	
Electronic CFM Reduction Bypass	KIT0185097 (Achieves <300 CFM, for 600 CFM Blower)	

WARRANTY:² Two (2) Years Parts & In-Home Labor. Earn an additional One (1) Year of Parts & In-Home Labor by registering on elica.com



The product images shown are for illustration purposes only and may not be an exact representation of the product.
¹ CFM and Noise data indicate the performance of the hood blower tested according to international standards. For AHAM Certified Ratings, established in accordance with California Title 24 Standardized test procedure, please refer to AHAM Certified Product Directory. Electric Ratings are declared according to UL.

² For valid warranty extension, register within 3 months from purchase. For USA & Canada Users Only.