

Bolsena

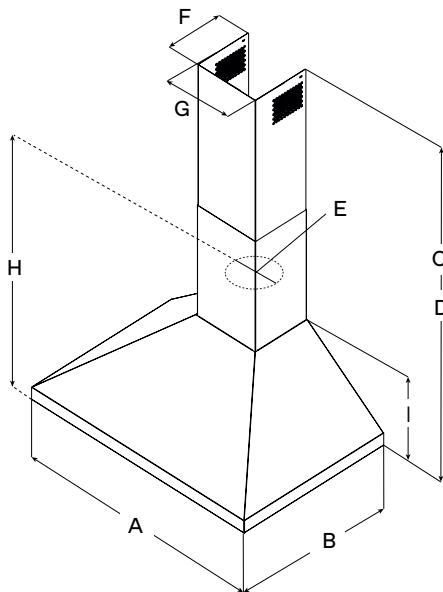
Wallmount hood

Specification sheet



Learn more

MEASUREMENTS



	EBS630SS	EBS636SS
A	30" (76.2 cm)	36" (91.4 cm)
B	19 11/16" (50 cm)	
C*	Min: 28 3/8" (72 cm) Max: 42 1/8" (107 cm)	
D**	Min: 28 3/8" (72 cm) Max: 38 3/16" (97 cm)	
E	6" (15.2 cm)	
F	7 3/16" (18.3 cm)	
G	8 3/16" (20.5 cm)	
H	14 5/8" (37.1 cm)	
I	10 1/4" (26 cm)	





*Ductless (recirculating)
** Ducted version

DESCRIPTION

Bolsena with its pyramid-shaped angles and stainless steel finish, makes it a striking visual statement in any kitchen. Available in 30" or 36" widths, features backlit touch controls, LED lighting, and a 4-speed blower. It also features a telescopic chimney for up to 9' 2" ceilings. Designed for standard ducted installation it can also be installed as a recirculating system using the kit available as an accessory.



FEATURES

-  Semi baffle filter
-  Hush system
-  Led light
-  CFM reduction system



GENERAL PROPERTIES

Width	30"	36"
Model	EBS630SS	EBS636SS
Dimensions	30"W x 19 11/16"D x min:28 3/8" max:42 1/8"H	36"W x 19 11/16"D x min:28 3/8" max:42 1/8"H
Blower Type ¹ (Internal)	600 CFM (4-speed)	
Noise (Min-max sones) ¹	0.4-5.2 Sones	
Electrical	120V-60Hz,265W	
Illumination	2 LED, 2.1W, 3000K, 235 Lumen	
Finish	Stainless Steel	
Controls	Multiple backlight color touch controls	
Grease filters	Dishwasher-Safe, stainless steel baffle slot (2 for 30" & 3 for 36")	
Installation type	Ducted or recirculating with kit (sold separately)	
Duct transition	6" round with backdraft damper (top only)	
Telescopic chimney	Can reach ceiling heights For heights 7'5" - 9'2" (ducted),7'5" - 9'6" (recirculating)	

KITS

Chimney extension	KIT02762 (Reaches ceiling heights of 8'5"-11'3" (ducted), 8'6"-11'7"(recirculating))
Recirculating kit	KIT02766 (contains 6" deflector and 2 round carbon filters)

WARRANTY:² Two (2) Years Parts & In-Home Labor. Earn an additional One (1) Year of Parts & In-Home Labor by registering on elica.com



The product images shown are for illustration purposes only and may not be an exact representation of the product.

¹ CFM and Noise data indicate the performance of the hood blower tested according to international standards. For AHAM Certified Ratings, established in accordance with California Title 24 Standardized test procedure, please refer to AHAM Certified Product Directory. Electric Ratings are declared according to UL.

² For valid warranty extension, register within 3 months from purchase. For USA & Canada Users Only.