

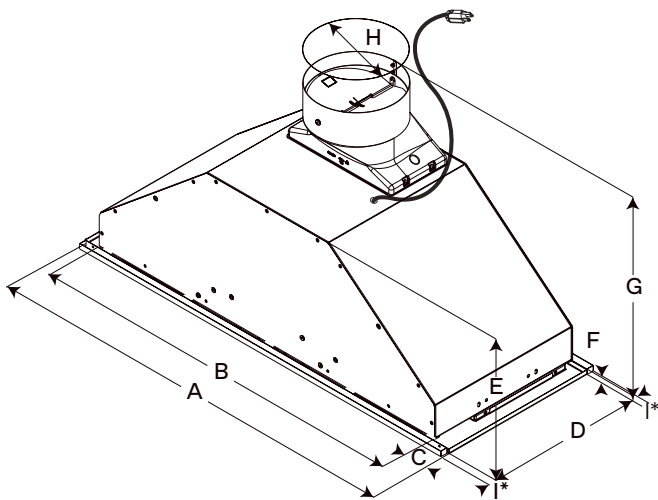
Asti

Insert hood



Learn more

MEASUREMENTS



	EAS422S1	EAS428S2
A	22 1/2" (57.1 cm)	28 1/4" (71.8 cm)
B	19 11/16" (50.8 cm)	26" (66 cm)
C	1 3/8" (3.5 cm)	1 1/8" (2.8 cm)
D	10 3/4" (27.2 cm)	
E	9 1/2" (24.2 cm)	
F	5/16" (.85 cm)	
G	14 9/16" (37 cm)	
H	6" (15 cm)	
I*	1/2" (1.2 cm)	

I*- Stainless steel spacers must be installed and used when cabinet depth is greater than 12"

DESCRIPTION

Asti is designed for discreet mounting inside cabinetry, fits perfectly into 12" deep cabinetry, and is ideal for kitchens where space is limited or the range hood needs to be out of sight.

Asti comes equipped with a powerful 400 CFM blower that can handle most cooking needs. Convenient Backlit Electronic Push Button Controls operate the 3-speed blower and LED lighting, while dishwasher-safe anodized aluminum mesh filters offer easy maintenance. Asti is designed for standard ducted or recirculating installation, now with a snap system that make it safer and easier to install.



FEATURES

- 3x layer mesh
- Led light
- Super easy installation
- Top or rear outlet



GENERAL PROPERTIES

Width	22"	28"
Model	EAS422S1	EAS428S2
Dimensions	22 1/2"W x 10 3/4"D x 9 1/2"H	28 1/4"W x 10 3/4"D x 9 1/2"H
Blower Type ¹ (Internal)	400 CFM (3-speed)	
Noise (Min-max sones) ¹	0.4-5.0 Sones	
Electrical	120V-60Hz, 289W	
Illumination	2 LED, 2.1W, 4000K, 235 Lumen	
Finish	Stainless Steel	
Controls	Backlit electronic push buttons	
Grease filters	2 Dishwasher-Safe, Anodized aluminum mesh filter	
Installation type	Ducted or recirculating with kit (sold separately)	
Duct transition	6" round with backdraft damper (top and rear)	

KITS

Recirculating kit	KIT02770 (contains 2 carbon filters)	
CFM reduction	KIT0175561 (achieves <300 CFM)	
30" hood liner	Not Available	KIT02773 (29"W x 17 1/2"-20 1/2" D)
35" hood liner	Not Available	KIT02774 (35"W x 17 1/2"-20 1/2" D)

WARRANTY:² Two (2) Years Parts & In-Home Labor. Earn an additional One (1) Year of Parts & In-Home Labor by registering on elica.com



The product images shown are for illustration purposes only and may not be an exact representation of the product.

¹ CFM and Noise data indicate the performance of the hood blower tested according to international standards. For AHAM Certified Ratings, established in accordance with California Title 24 Standardized test procedure, please refer to AHAM Certified Product Directory. Electric Ratings are declared according to UL.

² For valid warranty extension, register within 3 months from purchase. For USA & Canada Users Only.