

Asti 30

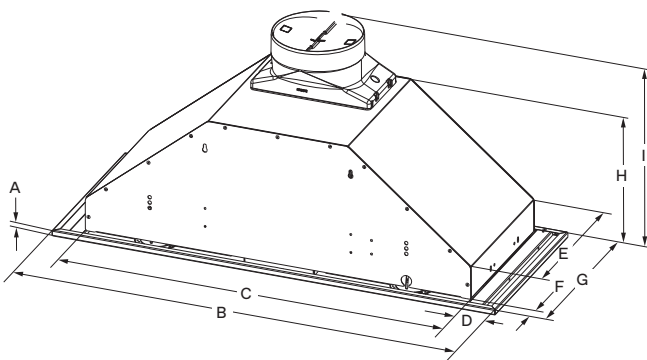
Specification sheet

Insert hood



Learn more

MEASUREMENTS



	EAS430S1
A	$\frac{3}{8}$ " (1 cm)
B	30" (76.2 cm)
C	26" (66.1 cm)
D	2" (5.1 cm)
E	10 $\frac{11}{16}$ " (27.2 cm)
F*	$\frac{5}{8}$ " (1.6 cm)
G	11 $\frac{15}{16}$ " (30.4 cm)
H	9 $\frac{1}{2}$ " (24.2 cm)
I	14 $\frac{1}{2}$ " (36.9 cm)

F*- Stainless steel spacers must be installed and used when cabinet depth is greater than 12"



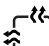
DESCRIPTION

Asti 30 is designed for discreet mounting inside cabinetry, fits perfectly into 12" deep cabinetry, and is ideal for kitchens where space is limited or the range hood needs to be out of sight.

Asti 30 comes equipped with a powerful 400 CFM blower that can handle most cooking needs. Convenient mechanical push button controls operate the 3-speed blower and LED lighting, while dishwasher-safe anodized aluminum mesh filters covered by a stainless steel protective layer, offer easy maintenance. Asti 30 is designed for standard ducted or recirculating installation, now with a snap system that make it safer and easier to install.



FEATURES

-  Led light
-  Super easy installation
-  Top or rear outlet



GENERAL PROPERTIES

Width	30"
Model	EAS430S1
Dimensions	30"W x 12"D x 9 1/2"H
Blower Type ¹ (Internal)	400 CFM (3-speed)
Noise (Min-max sones) ¹	0.3-5.0 Sones
Electrical	120V-60Hz, 260W
Illumination	2 LED, 6.5W, 3000K 235 Lumen
Finish	Stainless Steel
Controls	Mechanical push buttons
Grease filters	Dishwasher-Safe, Anodized Stainless Steel mesh
Installation type	Ducted or recirculating with kit (sold separately)
Duct transition	6" round with backdraft damper (top and rear)

KITS

Recirculating kit	KIT02770 (contains 2 carbon filters)
Electronic CFM Reduction Bypass	KIT0175561 (achieves <300 CFM)

WARRANTY:² Two (2) Years Parts & In-Home Labor. Earn an additional One (1) Year of Parts & In-Home Labor by registering on elica.com



The product images shown are for illustration purposes only and may not be an exact representation of the product.
¹ CFM and Noise data indicate the performance of the hood blower tested according to international standards. For AHAM Certified Ratings, established in accordance with California Title 24 Standardized test procedure, please refer to AHAM Certified Product Directory. Electric Ratings are declared according to UL.

² For valid warranty extension, register within 3 months from purchase. For USA & Canada Users Only.