

COMFORT SERIES
POTENZA

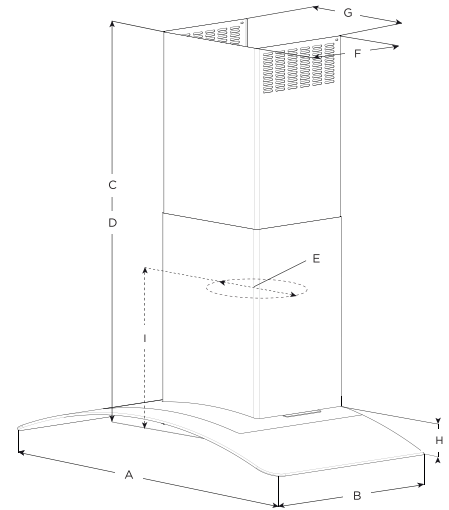


ELICA'S EXCLUSIVE PLUS FEATURES

Potenza combines curved glass and stainless steel to create a light and airy environment, which is perfect for any contemporary kitchen.

The flowing designs of 30" or 36" widths come with a powerful 400 CFM blower that can support the cooking demands of most kitchens. Stainless steel look, multiple backlight color touch controls illuminate in elegant white, green, blue or red and manage multiple functions including LED lighting and 4 speed blower. Multiple clicking sound options are also available.

Potenza also features a telescopic chimney for up to 8' 5" ceilings. Designed for standard ducted installation, Potenza can also be installed as a recirculating system using the kit available as an accessory.



MOUNTING HEIGHT RANGE

	EPT430S3	EPT436S3
A	30" (76.2 cm)	36" (91.4 cm)
B	19 ³ / ₁₆ " (50 cm)	
C*	Max: 36 ³ / ₁₆ " (93 cm) Min: 24" (61 cm)	
D**	Max: 32 ³ / ₁₆ " (83.3 cm) Min: 20 ³ / ₁₆ " (51.7 cm)	
E	6" (15.24 cm)	
F	10 ³ / ₁₆ " (27.3 cm)	
G	13 ¹ / ₂ " (33.2 cm)	
H	3 ²³ / ₃₂ " (9.4 cm)	
I	14 1/2" (36.8 cm)	15 7/16" (39.1 cm)

* Ductless (Recirculating) version
** Ducted version

COMFORT SERIES
POTENZA
 SPECIFICATIONS



Width:	30" UNIT	36" UNIT
Model:	EPT430S3	EPT436S3
Dimensions:	30 "W x 19 11/16"D x min 20 3/8" max 36 5/8" H	36"W x 19 11/16"D x min 20 3/8" max 36 5/8" H
Blower Type(internal):**	400 CFM (4 - speed)	
Noise (sones):**	5.9 Sones	
Finish:	Stainless Steel	
Controls:	Electronic Touch Controls with Adjustable Color Backlight	
Illumination:	2 LED, 2.1 W, 3000 K	
Grease Filter:	Dishwasher - Safe, Anodized Aluminum Mesh Filter.	
Duct Transition:	6" Round with Back Draft Damper (top only)	
Installation Type:	Ducted or Recirculating (Kit sold separately)	
Telescopic Chimney:	Can reach ceiling heights of min 6'9", max 8'8" (ducted out) & min 7'0", max 9'0" (recirculating).	
Electrical:	120 V, 60 Hz, 301 W	
KITS:		
Recirculating Kit:	KIT0102875 (contains 6" deflector, 3 flat carbon filters and clips)	
Long Chimney Extension:	KIT0100315 (Can reach 8'5" - 12'1" (ducted), 9'1" - 12'5" (recirculating)) KIT01609/1 (Can reach 7'5" - 10'3" (ducted), 8'2" - 10'11" (recirculating))	
Upgrade Filter Kit:	GF04YB (Contains 1 filter)	
WARRANTY:***	Two (2) Years Parts & In-Home Labor. Earn an additional One (1) Year of Parts & In-Home Labor by registering on elica.com.	

PLUS FEATURES



3X LAYER GREASE FILTER - Elica aluminum mesh filters are a step above competition, featuring triple layered, anodized aluminum that is woven into a highly dense mesh. The thick mesh captures more grease, anodization helps resist staining and provides durability to repeated cleanings in the dishwasher.



LED LIGHT - LED lighting is undoubtedly the smartest solution in terms of energy saving. Expected life is over 20,000 hours, and should last the full life of the hood.



CFM REDUCTION - CFM Reduction System (CRS), is an exclusive feature to Elica hoods, which enables the user to reduce the maximum blower CFM, to meet local code requirements.



Certified Ratings	High Speed	Working Speed	Duct Size
CFM	340	100	6" (Vertical)
Sones	7	0.5	6" (Vertical)

* The product images shown are for illustration purposes only and may not be an exact representation of the product.

** Blower performance indicates the performance of the blower by itself. Performance claims are not AHAM certified but were established in accordance with HVI Standardized test procedure. For Certified Ratings, please refer to AHAM Certified Product Directory. Electric Ratings are declared according to UL.

*** For valid warranty extension, register within 3 months from purchase. For USA & Canada Users Only.