

COMFORT SERIES

NEMI BLACK & WHITE



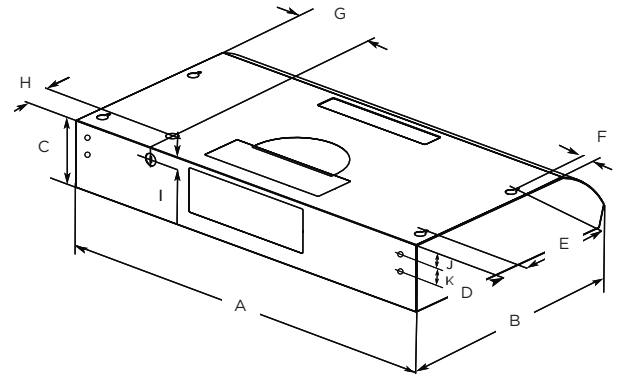
3X LAYER MESH FILTER



LED LIGHT

ELICA'S EXCLUSIVE PLUS FEATURES

Nemi sports a slender 5" height and soft curves, designed to modernize and perfectly fit kitchens where space is premium. Nemi features a 3-speed, 280 CFM internal blower, which provides sufficient ventilating power for most kitchens. The stainless push button controls allow for easy adjustment of blower speeds and 2 LED Lamps. A dishwasher-safe anodized aluminum mesh filter is easy to clean. Nemi is designed for standard ducted installation, and can be installed as a recirculating system, using the Recirculating Kit, available as an accessory.



| | Models | |
|----------|-------------------|----------|
| | ENM230B1 | ENM230W1 |
| A | 30" (76.2 cm) | |
| B | 18 5/8" (47.3 cm) | |
| C | 4 5/16" (12.5 cm) | |
| D | 1 1/2" (3.8 cm) | |
| E | 9" (22.9 cm) | |
| F | 1" (2.5 cm) | |
| G | 6 5/16" (16.7 cm) | |
| H | 1 15/16" (5 cm) | |
| I | 7/8" (2.2 cm) | |
| J | 1 1/16" (2.6 cm) | |
| K | 1 7/16" (3.6 cm) | |

NEMI BLACK & WHITE

SPECIFICATIONS

| | | |
|--|--|----------|
| Width: | 30" UNIT | |
| Model: | ENM230B1 | ENM230W1 |
| Dimensions: | 30"W x 18 5/8"D x 4 5/16"H | |
| Blower Type(internal):** | 280 CFM (3-speed) | |
| Noise (sones): ** | 4.9 Sones | |
| Finish: | Black | White |
| Controls: | Stainless mechanical push buttons | |
| Illumination: | 2 LED Lights, 6.5 W, 3000 K | |
| Grease Filter: | Dishwasher-Safe, Anodized Aluminum Mesh Filter | |
| Duct Transition: | 3 1/4" x 10" (Top or Rear), or 7" round (sold separately) | |
| Installation Type: | Ducted or Recirculating (Kit sold separately) | |
| Electrical: | 120 V , 60 Hz , 210 W | |
| KITS: | | |
| Recirculating Kit | KIT02179 | |
| Optional Backdraft Damper/No Return Valve 7" | KIT02723 | |
| Optional Duct Transition 7" | KIT02722 | |
| WARRANTY:*** | Two (2) Years Parts & In-Home Labor. Earn an additional One (1) Year of Parts & In-Home Labor by registering on elica.com. | |

PLUS FEATURES



3X LAYER GREASE FILTER - Elica aluminum mesh filters are a step above competition, featuring triple layered, anodized aluminum that is woven into a highly dense mesh. The thick mesh captures more grease, anodization helps resist staining and provides durability to repeated cleanings in the dishwasher.



LED LIGHT - LED lighting is undoubtedly the smartest solution in terms of energy saving. Expected life time of over 20,000 hours, represents the most remarkable advantage of LED light bulbs.



| Certified Ratings | High Speed | Working Speed | Duct Size |
|-------------------|------------|---------------|----------------------------|
| CFM Sones | 260 7 | 100 1.5 | 3.25 x 10" (Horizontal) |
| CFM Sones | 260 7 | 120 2 | 3.25 x 10" (Vertical) |
| CFM Sones | 300 8.5 | 140 2 | 7" vertical |

* The product images shown are for illustration purposes only and may not be an exact representation of the product.

** Blower performance indicates the performance of the blower by itself. Performance claims are not AHAM certified but were established in accordance with HVI Standardized test procedure. For Certified Ratings, please refer to AHAM Certified Product Directory. Electric Ratings are declared according to UL.

*** For valid warranty extension, register within 3 months from purchase. For USA & Canada Users Only.