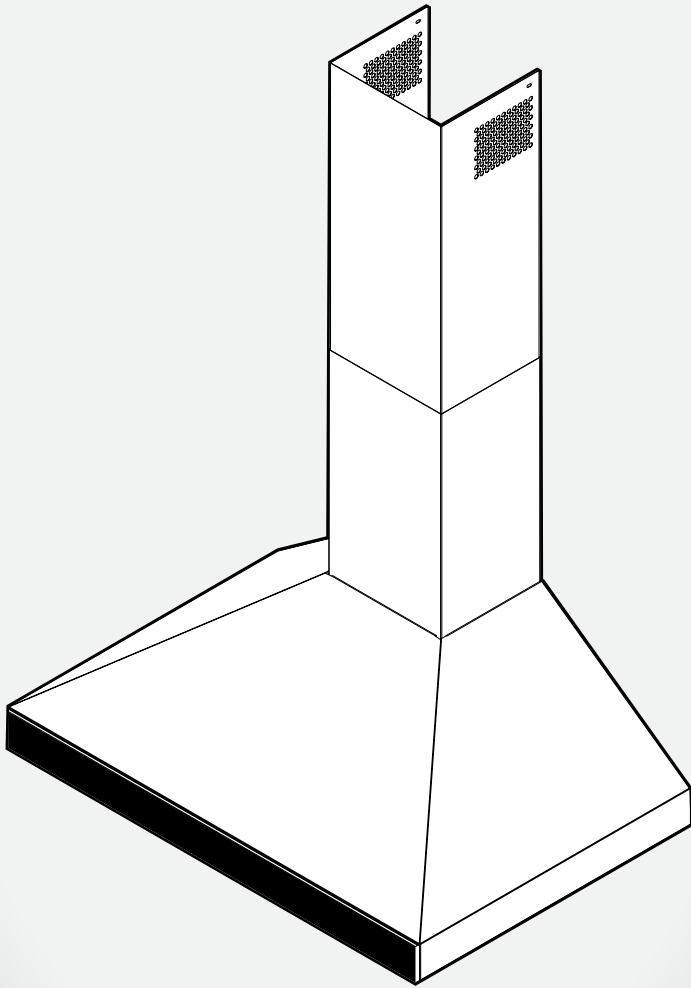


Use, Care, and Installation Guide

Guide
d'utilisation,
d'entretien et
d'installation

Guía de
instalación, uso y
mantenimiento



READ AND SAVE THESE
INSTRUCTIONS

LISEZ CES
INSTRUCTIONS ET
CONSERVEZ-LES

LEA Y CONSERVE
ESTAS INSTRUCCIONES

Models: | EVL430S2
EVL436S2
EVL424SS
EVR630S2
EVR636S2
EVR630BL
EVR636BL

LIB0139140A
Printed in Mexico
06/18

Contents

- Important safety notice..... 3
 - Electrical & installation requirements 4
 - Before installing the hood 4
- Product dimensions 4
- List of materials..... 5
 - Parts supplied 5
 - Parts not supplied 5
- Ducting options and examples..... 6
- Installation 6
 - Electrical connection..... 8
 - Complete the installation..... 9
- Description of the hood..... 9
- Control..... 9
- Maintenance 10
- Warranty 11

**APPROVED FOR RESIDENTIAL APPLIANCES
 FOR RESIDENTIAL USE ONLY
 READ AND SAVE THESE INSTRUCTIONS**

**PLEASE READ ENTIRE INSTRUCTIONS BEFORE PROCEEDING.
 INSTALLATION MUST COMPLY WITH ALL LOCAL CODES.**

IMPORTANT: Save these Instructions for the Local Electrical Inspector’s use.
INSTALLER: Please leave these Instructions with this unit for the owner.
OWNER: Please retain these instructions for future reference.

Safety Warning: Turn off power circuit at service panel and lock out panel, before wiring this appliance.
Requirement: 120 V AC, 60 Hz. 15 or 20 A Branch Circuit.

IMPORTANT SAFETY NOTICE

CAUTION

FOR GENERAL VENTILATING USE ONLY. DO NOT USE TO EXHAUST HAZARDOUS OR EXPLOSIVE MATERIALS OR VAPOURS.

WARNING

TO REDUCE THE RISK OF FIRE, ELECTRIC SHOCK, OR INJURY TO PERSONS, OBSERVE THE FOLLOWING:

- A. Use this unit only in the manner intended by the manufacturer. If you have questions, contact the manufacturer.
- B. Before servicing or cleaning the unit, switch power off at service panel and lock service panel disconnecting means to prevent power from being switched on accidentally.
When the service disconnecting means cannot be locked, securely fasten a prominent warning device, such as a tag, to the service panel.
- C. Installation work and electrical wiring must be done by qualified person(s) in accordance with all applicable codes & standards, including fire-rated construction.
- D. Sufficient air is needed for proper combustion and exhausting of gases through the flue (Chimney) of fuel burning equipment to prevent back-drafting.
Follow the heating equipment manufacturers guideline and safety standards such as those published by the national fire protection association (NFPA), the american society for heating, refrigeration and air conditioning engineers (ASHRAE), and the local code authorities.
- E. When cutting or drilling into wall or ceiling, do not damage electrical wiring and other hidden utilities.
- F. Ducted systems must always be vented to the outdoors.

CAUTION

To reduce risk of fire and to properly exhaust air, be sure to duct air outside - do not vent exhaust air into spaces within walls, ceilings, attics, crawl spaces, or garages.

WARNING

TO REDUCE THE RISK OF FIRE, USE ONLY METAL DUCT WORK.

Install this hood in accordance with all requirements specified.

WARNING

To reduce the risk of fire or electric shock, do not use this hood with any external solid state speed control device.

WARNING

TO REDUCE THE RISK OF A RANGE TOP GREASE FIRE.

- a) Never leave surface units unattended at high settings. Boilovers cause smoking and greasy spillovers that may ignite. Heat oils slowly on low or medium settings.
- b) Always turn hood ON when cooking at high heat or when flambeing food (I.e. Crepes Suzette, Cherries Jubilee, Peppercorn Beef Flambe').
- c) Clean ventilating fans frequently. Grease should not be allowed to accumulate on fan or filter.
- d) Use proper pan size. Always use cookware appropriate for the size of the surface element.

WARNING

TO REDUCE THE RISK OF INJURY TO PERSONS, IN THE EVENT OF A RANGE TOP GREASE FIRE, OBSERVE THE FOLLOWING:^a

- a) SMOTHER FLAMES with a close-fitting lid, cookie sheet, or other metal tray, then turn off the gas burner or the electric element. BE CAREFUL TO PREVENT BURNS. If the flames do not go out immediately, EVACUATE AND CALL THE FIRE DEPARTMENT.
- b) NEVER PICK UP A FLAMING PAN - you may be burned.
- c) DO NOT USE WATER, including wet dishcloths or towels - a violent steam explosion will result.
- d) Use an extinguisher ONLY if:
 - 1) You know you have a class ABC extinguisher, and you already know how to operate it.
 - 2) The fire is small and contained in the area where it started.
 - 3) The fire department is being called.
 - 4) You can fight the fire with your back to an exit.
- e) Ducted fans must always be vented to the outdoor.

^aBased on "Kitchen Fire Safety Tips" published by NFPA.

CAUTION

Automatically Operated Device - To reduce the risk of Injury disconnect from power supply before servicing.

ELECTRICAL & INSTALLATION REQUIREMENTS

IMPORTANT

Observe all governing codes and ordinances.

It is the customer's responsibility:

- To contact a qualified electrical installer.
- To assure that the electrical installation is adequate and in conformance with National Electrical Code, ANSI/NFPA 70 — latest edition*, or CSA Standards C22.1-94, Canadian Electrical Code, Part 1 and C22.2 No.0-M91-latest edition** and all local codes and ordinances.
- If codes permit and a separate ground wire is used, it is recommended that a qualified electrician determine that the ground path is adequate.
- Do not ground to a gas pipe.
- Check with a qualified electrician if you are not sure range hood is properly grounded.
- Do not have a fuse in the neutral or ground circuit.

IMPORTANT

- Save Installation Instructions for electrical inspector's use.
- The range hood must be connected with copper wire only.
- The range hood should be connected directly to the fused disconnect (Or circuit breaker) box through metal electrical conduit.
- Wire sizes must conform to the requirements of the National Electrical Code ANSI/NFPA 70 — latest edition*, or CSA Standards C22.1-94, Canadian Electrical Code Part 1 and C22.2 No. 0-M91 - latest edition** and all local codes and ordinances.
- A U.L.- or C.S.A.-listed conduit connector must be provided at each end of the power supply conduit (at the range hood and at the junction box).

Copies of the standards listed may be obtained from:

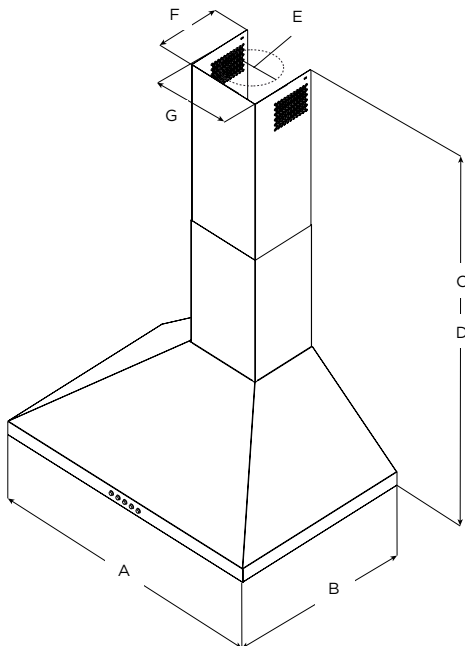
* National Fire Protection Association Batterymarch Park Quincy, Massachusetts 02269

** CSA International 8501 East Pleasant Valley Road Cleveland, Ohio 44131-5575

BEFORE INSTALLING THE HOOD

- 1 For the most efficient air flow exhaust, use a straight run or as few elbows as possible.
CAUTION: Vent unit to outside of building, only.
- 2 At least two people are necessary for installation.
- 3 Fittings material is provided to secure the hood to most types of walls/ceilings, consult a Qualified Installer, check if they perfectly fit with your cabinet/wall.
- 4 Do not use flex ducting.
- 5 COLD WEATHER installations should have an additional backdraft damper installed to minimize backward cold air flow and a nonmetallic thermal break to minimize conduction of outside temperatures as part of the ductwork. The damper should be on the cold air side of the thermal break.
The break should be as close as possible to where the ducting enters the heated portion of the house.
- 6 Make up air: Local building codes may require the use of Make-Up Air Systems when using Ducted Ventilation Systems greater than specified CFM of air movement. The specified CFM varies from locale to locale. Consult your HVAC professional for specific requirements in your area.

PRODUCT DIMENSIONS



| | Models | | |
|------------|--|----------------------------------|----------------------------------|
| | EVL424SS | EVL430S2 EVR630S2 EVR630BL | EVL436S2 EVR636S2 EVR636BL |
| A | 23 $\frac{5}{8}$ " (60 cm) | 30" (76.2 cm) | 36" (91.4 cm) |
| B | 19 $\frac{1}{16}$ " (50 cm) | | |
| C* | Max: 42 $\frac{1}{8}$ " (107 cm) Min: 28 $\frac{5}{16}$ " (72 cm) | | |
| D** | Max: 38 $\frac{3}{16}$ " (97 cm) Min: 28 $\frac{5}{16}$ " (72 cm) | | |
| E | 6" (15.24 cm) | | |
| F | 7 $\frac{3}{16}$ " (18.3 cm) | | |
| G | 8 $\frac{3}{16}$ " (20.8 cm) | | |

* Ductless (Recirculating) version

** Ducted version

LIST OF MATERIALS

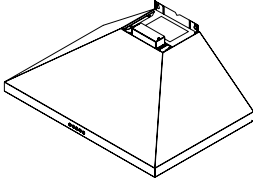
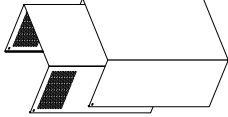

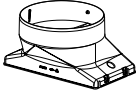

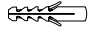


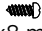

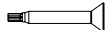
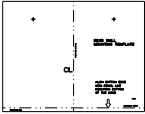
Removing the packaging.

⚠ CAUTION

Remove carton carefully, Wear gloves to protect against sharp edges.

⚠ WARNING

Remove the protective film covering the product before putting into operation.

| Supplied Part | Pieces | Supplied Part | Pieces |
|--|--------|--|--------|
|  <p>Hood assembly and LED lamps already installed</p> | 1 |  <p>Duct covers</p> | 2 |
|  <p>5x45 mm</p> | 6 |  <p>6" round air transition</p> | 1 |
|  <p>5.4x75 mm</p> | 4 |  <p>8x40 mm</p> | 2 |
|  <p>3.5x9.5 mm</p> | 2 |  <p>10x60 mm</p> | 4 |
|  <p>4x8 mm</p> | 2 |  <p>Duct cover bracket</p> | 1 |
|  <p>Torx 10 adapter</p> | 1 |  <p>Mounting template</p> | 1 |

Parts no supplied

Tools/Materials required

- Level
- Drill
- 1/4" (3.2 cm), 1/8" (3.2 mm), and 1/16" (4.8 mm) drill bits
- Pencil
- Wire stripper or utility knife
- Tape measure or ruler
- Pliers
- Caulking gun and weatherproof caulking compound
- Jigsaw or keyhole saw
- Metal snips
- Screwdrivers:
 - Flat-blade
 - Phillips

Optional accessories and consumable parts

| KIT | # Part |
|-------------------------------------|------------|
| Recirculating Kit | KIT02766 |
| Long Chimney Extension | KIT02762 |
| Long Chimney Extension Black | KIT0140998 |

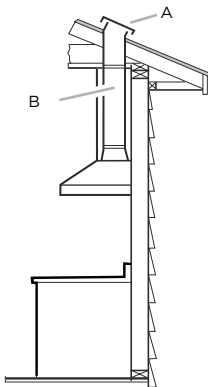
Ducting Options

Closely follow the instructions set out in this manual. All responsibility, for any eventual inconveniences, damages or fires caused by not complying with the instructions in this manual, is declined.

Ducting version

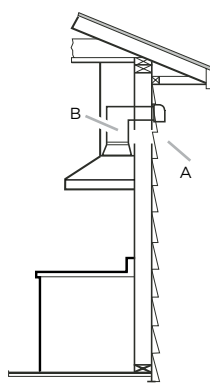
The hood is equipped with a 6" (15.2 cm) round transition for discharge of fumes to the outside.

Roof Venting



A. Roof cap
B. 6" (15.2 cm) round vent

Wall Venting



A. Wall cap
B. 6" (15.2 cm) round vent

Preparation

Do not cut a joist or stud unless absolutely necessary. If a joist or stud must be cut, then a supporting frame must be constructed.

Fittings material is provided to secure the hood to most types of walls/ceilings.

However, a qualified technician must verify suitability of the materials in accordance with the type of wall/ceiling.

Before making cutouts, make sure there is proper clearance within the ceiling or wall for exhaust vent.

Recommended installation height:

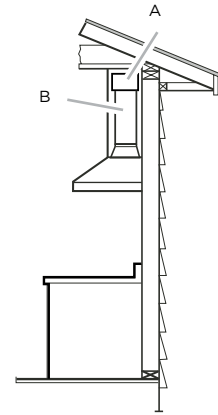
Hood installation height above cooktop is the users preference. The lower the hood is above the cooktop, the more efficient the capturing of cooking odors, grease and smoke.

Ductless (Recirculating)

In cases where it should not be possible to discharge cooking fumes and vapour to the outside.

Attach a charcoal filter and the deflector on the duct cover support bracket. Fumes and vapours are recycled through the top grille by means of a duct connected to the transition and the deflector mounted on the deflector.

For this version only: purchase the Ductless Recirculating Kit. Minimum Duct Size: 6" Round Pipe.



A. Deflector
B. 6" (15.2 cm) round vent

⚠ CAUTION

Installation Heights

| Hood models | EVL430S2, EVL436S2, EVL424SS | EVR630S2, EVR636S2, EVR630BL, EVR636BL |
|--------------------------|------------------------------|--|
| GAS cooktops | 27" (66.6 cm) | 30" (76.2 cm) |
| ELECTRIC cooktops | 24" (61 cm) | 27" (66.6 cm) |

There is no maximum mounting height, however, we recommend mounting the hood no greater than 36" (91.4 cm) above the cooking surface. For every inch (2.54 cm) above 36" (91.4 cm), fume and moisture capture efficiency diminishes at an increasing rate and may not deliver an acceptable level of ventilating performance.

This hood is intended for household use.

PLEASE READ THE INSTALLATION MANUAL FOR SPECIFIC APPLICATION. Check your ceiling height and hood height before selecting your hood.

Installation

Prepare location

- It is recommended that the vent system be installed before hood is installed.
- Before making cutouts, make sure there is proper clearance within the ceiling or wall for exhaust vent.
- Check your ceiling height and the hood height maximum before you select your hood.

- 1 Disconnect power.
- 2 Determine which venting method to use: roof, wall, or nonvented.
- 3 Select a flat surface for assembling the range hood. Place covering over that surface.

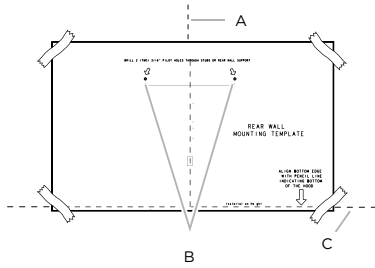
⚠ WARNING

TO REDUCE THE RISK OF FIRE, ELECTRIC SHOCK, OR INJURY TO PERSONS, OBSERVE THE FOLLOWING.

- 4 Using 2 or more people, lift range hood onto covered surface.

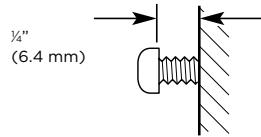
Mounting the duct cover bracket

- 1 Determine and mark the centerline on the wall where the canopy hood will be installed. Disconnect power.
- 2 Select a mounting height from the Installation Heights chart. Mark a reference line on the wall.
- 3 Tape template in place, aligning the template centerline and bottom of template with hood bottom line and with the centerline marked on the wall.



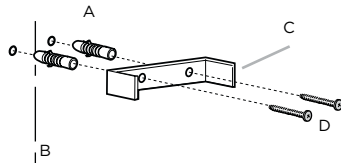
- A. Centerline
- B. Fastener locations
- C. Mounting height reference (hood bottom line)

- 4 Mark centers of the fastener locations through the template to the wall.
IMPORTANT: All screws must be installed into wood. If there is no wood to screw into, additional wall framing supports may be required.
- 5 Remove the template.
- 6 Drill $\frac{3}{16}$ " (4.8 mm) pilot holes at all locations where screws are being installed into wood.
- 7 Install the 2 - 5 x 45 mm mounting screws. Leave a $\frac{1}{4}$ " (6.4 mm) gap between the wall and the back of the screw head to slide range hood into place.



Vent cover bracket installation

- 1 Attach vent cover bracket to wall flush to the ceiling using 2 - 5 x 45 mm screws.



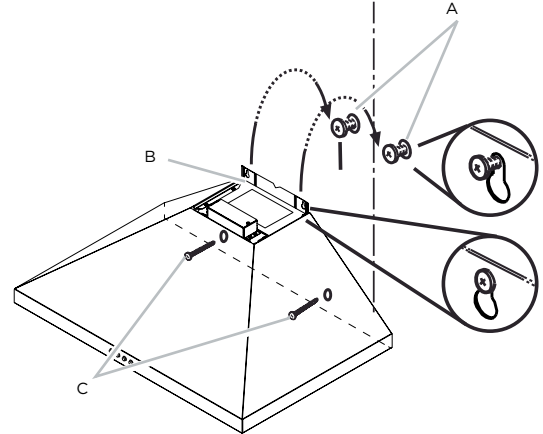
- A. 8 x 40 mm anchors
- B. Centerline on wall
- C. Vent cover support bracket
- D. 5 x 45 mm screws

Complete preparation

- 1 Determine and make all necessary cuts in the wall for the vent system. Install the vent system before installing the hood. See "Venting Requirements" section.
 - 2 Determine the required height for the home power supply cable and drill a $1\frac{1}{4}$ " (3.2 cm) hole at this location.
 - 3 Run the home power supply cable according to the National Electrical Code or CSA Standards and local codes and ordinances. There must be enough $\frac{1}{2}$ " conduit and wires from the fused disconnect (or circuit breaker) box to make the connection in the hood's electrical terminal box.
- NOTE:** Do not reconnect power until installation is complete.
- 4 Use caulk to seal all openings.

Install Range Hood

- 1 Using 2 or more people, hang range hood on 2 mounting screws through the mounting slots on back of hood.

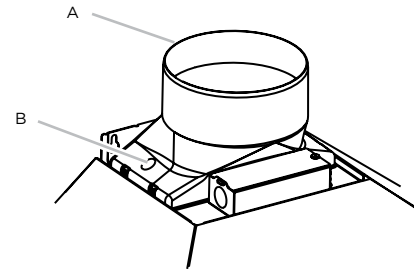


- A. Mounting screws
- B. Mounting slots
- C. Lower mounting screws

- 2 Mark with a pencil the lower mounting holes location.
- 3 Uninstall the hood assembly, and drill $\frac{3}{16}$ " (4.8 mm) pilot holes at marked locations.
- 4 Hang the range hood again on 2 upper mounting screws.
- 5 Level the range hood and tighten upper mounting screws.
- 6 Install 2 - 5 x 45 mm lower mounting screws and tighten. Use the optional wall anchors if needed.

Connect Vent System

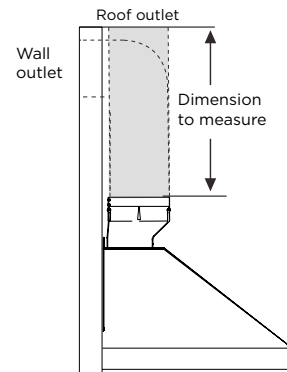
- 1 Install transition on top of hood (if removed for shipping) with 2 - 3.5 x 9.5 mm sheet metal screws.



- A. Vent transition
- B. 3.5 x 9.5 mm screw

For vented installations only:

- 1 Fit vent system over the exhaust outlet.
- 2 Measure from the bottom of the air deflector to the bottom of the hood outlet. Cut the ductwork at the measured dimension.



- 3 Seal connection with clamps.
- 4 Check that back draft dampers work properly.

Electrical Connection

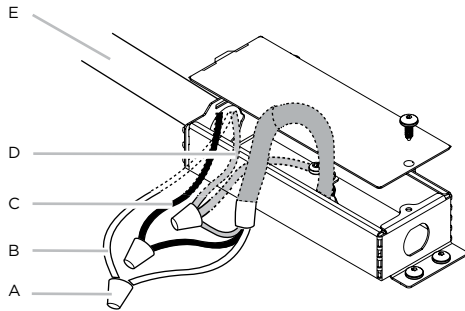
⚠ WARNING

ELECTRICAL SHOCK HAZARD.

⚠ WARNING

DISCONNECT POWER BEFORE SERVICING.
REPLACE ALL PARTS AND PANELS BEFORE OPERATING.
FAILURE TO DO SO CAN RESULT IN DEATH OR ELECTRICAL SHOCK.

- 1 Disconnect power.
- 2 Remove terminal box cover.
- 3 Remove the knockout in the terminal box cover and install a UL listed or CSA approved $\frac{1}{2}$ " strain relief.
- 4 Run home power supply cable through strain relief, into terminal box.



- | | |
|--|--|
| A. Home power supply cable | D. UL listed wire connectors |
| B. UL listed or CSA approved strain relief | E. White wires |
| C. Black wires | F. Green (or bare) and yellow-green ground wires |

- 5 Use UL listed wire connectors and connect black wires (C) together.
- 6 Use UL listed wire connectors and connect white wires (E) together.

⚠ WARNING

ELECTRICAL SHOCK HAZARD.

⚠ WARNING

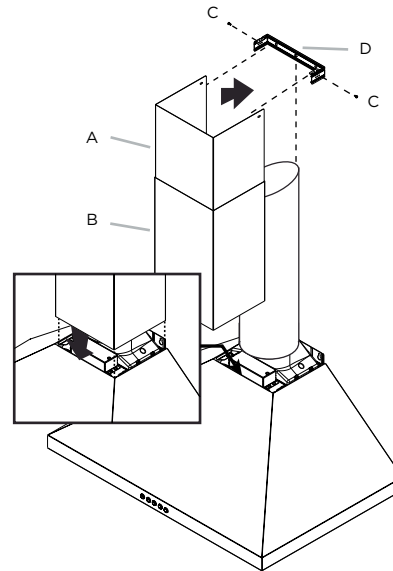
ELECTRICALLY GROUND BLOWER.
CONNECT GROUND WIRE TO GREEN AND YELLOW GROUND WIRE IN TERMINAL BOX. FAILURE TO DO SO CAN RESULT IN DEATH OR ELECTRICAL SHOCK.

- 7 Connect green (or bare) ground wire from home power supply to yellow-green ground wire (F) in terminal box using UL listed wire connectors.
- 8 Tighten strain relief screw.
- 9 Install terminal box cover.
- 10 Check that all light bulbs are secure in their sockets.
- 11 Reconnect power.

Install duct covers

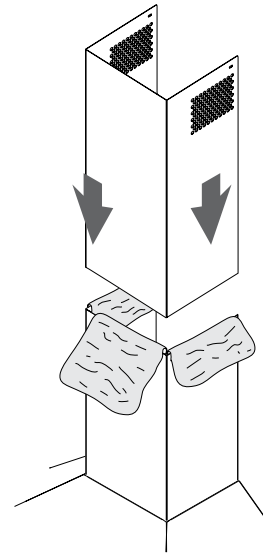
- When using both upper and lower vent covers, push lower cover down onto hood and lift upper cover to ceiling and install with two mounting screws.

NOTE: For vented installations, the upper vent cover may be reversed to hide slots.



- | |
|---------------------|
| A. Upper vent cover |
| B. Lower vent cover |
| C. 4 x 8 mm screws |
| D. Bracket |

NOTE: To prevent scratches, lay paper or a kitchen towel over the edges of the lower flue duct to protect the surface.



Complete Installation

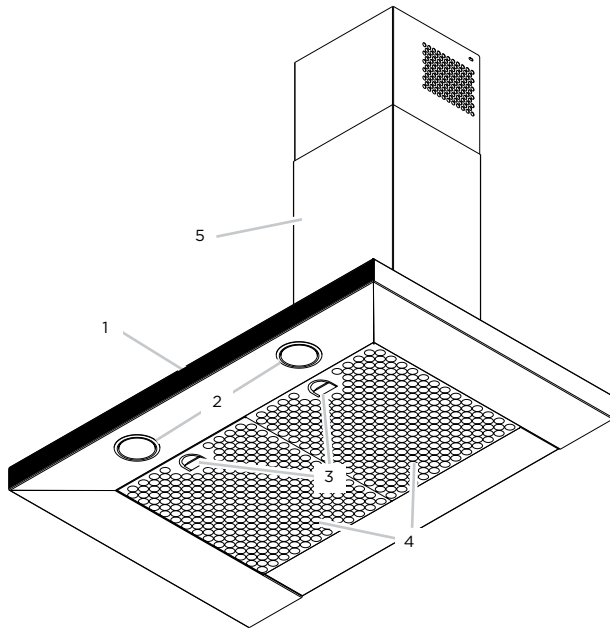
- For non-vented (recirculating) installations only, install charcoal filters over metal grease filter. See the “Maintenance” section.
- Install metal filters. See the “Maintenance” section.

To get the most efficient use from your new range hood, read the “Maintenance” section.

Keep your Use, Care, and installation Guide close to range hood for easy reference.

Description of the Hood

EVR630 & EVR636 models



1. Blower and light controls
2. LED lamps
3. Grease filter handle
4. Grease filter
5. Duct covers


Control




1. Button ON/OFF motor (stand by)
2. Button for low speed (suction power) selection
When flashing, it indicates that you must wash the grease filter.
3. Button for medium speed (suction power) selection
4. Button for high speed (suction power) selection
5. Button for intensive speed (suction power) selection
It lasts 5 minutes then it returns to medium speed (suction power).
6. Button ON/OFF lighting
Press briefly to switch on or off the lighting of the hood.
Press and hold to adjust the intensity of the light.

Indicators of filter saturation:


At regular time intervals, the hood indicates the need of performing filter maintenance.

Button  on with steady light:
Perform grease filter maintenance.

Button  flashing:
Perform activated charcoal filter maintenance.


NOTE: Filter saturation signal is visible within the first minute after switching off the hood; within this time, the reset of saturation indicators must be performed.


Reset of filter saturation indicators:

Press and hold the button .

Activation of saturation indicator activated charcoal filter:

NOTE: This operation must be performed with the hood off. This indicator is normally deactivated; press and hold the

button  to activate the function: the button lights up with steady light.

To deactivate the function, press and hold the button , the button lights up flashing.

CRS CFM Reduction System

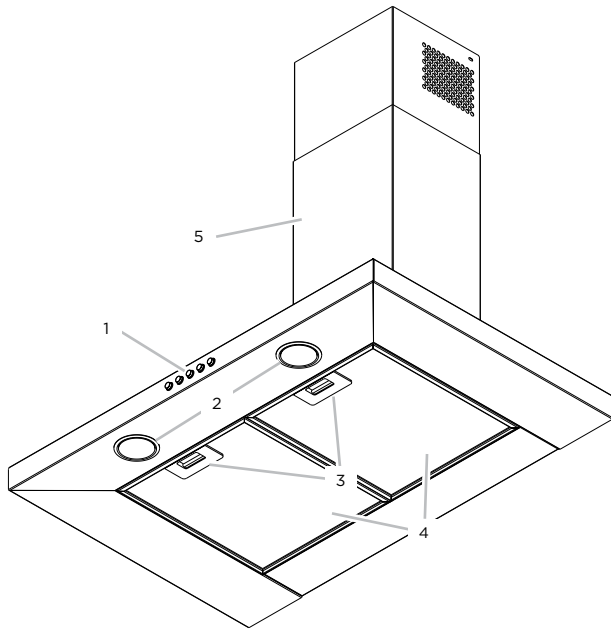
Before operating your hood:

Some States and Provinces of the US & Canada restrict the maximum exhausting airflow of range hoods. Airflow is measured as cubic feet per minute (CFM). These maximum levels allowed are detailed in the local code of your area. Please check local codes to find out if you need to restrict the maximum airflow of your hood. If your local code mandates a maximum airflow level below the maximum airflow of this hood (i.e. 600 CFM), please execute the procedure below to reduce the maximum airflow.



- 1 Turn the motor OFF.
- 2 Press the ON/OFF (1) and Intensive speed (5) buttons together for 3 seconds.
You will hear a beep and all control lights will illuminate for 3 seconds.
This action will Disable speeds 3 and 4 and effectively lower the Maximum airflow to > 300 CFM.
- 3 Locate the CFM certification sticker in the hardware pack.
- 4 Peel and Affix this sticker to a visible area in the blower.
This sticker provides official certification to your local inspector that this hoods maximum airflow has been reduced to > 300 CFM.

EVL424SS, EVL430S2 & EVL436S2 models



1. Blower and light controls
2. LED lamps
3. Grease filter handle
4. Grease filters
5. Duct covers

Maintenance

Cleaning

Do not spray cleaners directly to the control while cleaning the Hood. The cooker hood should be cleaned regularly (at least with the same frequency with which you carry out maintenance of the fat filters) internally and externally. Clean using the cloth dampened with neutral liquid detergent. Do not use abrasive products. Do not use chlorine base cleaners. **DO NOT USE ALCOHOL!**

⚠ WARNING:

Failure to carry out the basic cleaning recommendations of the cooker hood and replacement of the filters may cause fire risks. Therefore, we recommend observing these instructions. The manufacturer declines all responsibility for any damage to the motor or any fire damage linked to inappropriate maintenance or failure to observe the above safety recommendations.

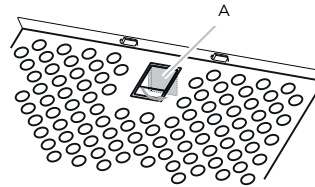
Grease Filter

Traps cooking grease particles.

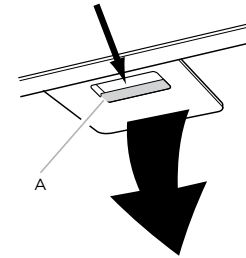
This must be cleaned once a month using non aggressive detergents, either by hand or in the dishwasher, which must be set to a low temperature and a short cycle. When washed in a dishwasher, the grease filter may discolour slightly, but this does not affect its filtering capacity.

To remove the grease filter, pull the spring release handle.

EVR630 & EVR636 models

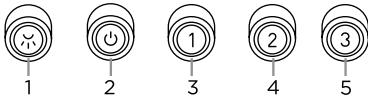


EVL424, EVL430 & EVL436 models



A. Spring release handle

Control



1. Light On/Off button
2. Blower On/Off button
3. Blower speed minimum button
4. Blower speed medium button
5. Blower speed maximum button

NOTE: Control buttons will light up when range hood is On.

Operating the light

The Light On/Off button (1) controls both lights. Press once for On and again for Off.

Operating the blower

The Blower On/Off button (2) turns the blower On or Off. The Blower Speed buttons (3, 4 and 5) set the desired speed and control the sound level for quiet operation. The speed can be changed anytime during fan operation by pressing the desired blower speed button.

- 1 To turn the blower On, press the Blower On/Off button (2) and the desired speed button (3, 4 or 5).
- 2 To turn the blower Off, press the Blower On/Off button (2).

Any of the 3 blower speed buttons can be in the On position at the same time. The blower will operate at the highest speed button that is pushed in. For lower blower speeds, the higher speed buttons must not be pushed in.

Replacing a LED Lamp

The LED lights are replaceable by a service technician only. See "Who to contact" section in the warranty for service contact information.

Charcoal filter

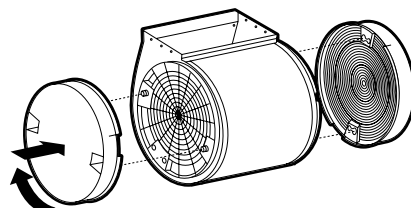
NOTE

When used in recirculation mode, To Reduce the Risk of Fire and Shock use only conversion kit Models:
Recirculating kit: KITO2766

If the model is not vented to the outside, the air will be recirculated through disposable charcoal filters that help remove smoke and odors.

- 1 Cover the grill that protects the suction motor with the carbon filter so that the slots on the filter correspond to the pins on the sides of the motor protection grill.
- 2 Turn the carbon filter clockwise to block them (bayonet fixing).

NOTE: The charcoal filters cannot be cleaned. It should be replaced every 4-6 months (depending on hood usage).



ELICA North America

TWO-YEAR LIMITED WARRANTY

Register your product in

elica.com

and earn a 3rd year of factory warranty, covering all parts plus in-home labor.

TO OBTAIN SERVICE UNDER WARRANTY

Owner must present proof of original purchase date. Please keep a copy of your dated proof of purchase (sales slip) in order to obtain service under warranty.

PARTS AND SERVICE WARRANTY

For the period of two (2) years from the date of the original purchase, Elica will provide free of charge, non consumable parts or components that failed due to manufacturing defects. During these two (2) years limited warranty, Elica will also provide free of charge, all labor and in-home service to replace any defective parts.

WHAT IS NOT COVERED

- Damage or failure to the product caused by accident or act of God, such as, flood, fire or earthquake.
- Damage or failure caused by modification of the product or use of non-genuine parts.
- Damage or failure to the product caused during delivery, handling or installation.
- Damage or failure to the product caused by operator abuse.
- Damage or failure to the product caused by dwelling fuse replacement or resetting of circuit breakers.
- Damage or failure caused by use of product in a commercial application.
- Service trips to dwelling to provide use or installation guidance.
- Light bulbs, metal or carbon filters and any other consumable part.
- Normal wear of finish.
- Wear to finish due to operator abuse, improper maintenance, use of corrosive or abrasive cleaning products/pads and oven cleaner products.

WHO IS COVERED

This warranty is extended to the original purchaser for products purchased for ordinary residential use in North America (Including the United States, Guam, Puerto Rico, US Virgin Islands & Canada).

This warranty is non-transferable and applies only to the original purchaser and does not extend to subsequent owners of the product. This warranty is made expressly in lieu of all other warranties, expressed or implied, including, but not limited to any implied warranty of merchantability or fitness for a particular purpose and all other obligations on the part of Elica North America, provided, however, that if the disclaimer of implied warranties is ineffective under applicable law, the duration of any implied warranty arising by operation of law shall be limited to two (2) years from the date of original purchase at retail or such longer period as may be required by applicable law.

This warranty does not cover any special, incidental and/or consequential damages, nor loss of profits, suffered by the original purchaser, its customers and/or the users of the Products.

WHO TO CONTACT

To obtain service under warranty or for any service related question:

- Elica North America Service, call at 1 888 732 8018
- For Eastern Canada, call AGI Services at 1 888 651 2534 Ask for the service department
- elica@servicepower.com

Table des matières

| | |
|---|----|
| Avis de sécurité important | 13 |
| Exigences électriques et d'installation | 14 |
| Avant d'installer la hotte | 14 |
| Dimensions du produit | 14 |
| Liste des pièces | 15 |
| Pièces fournies | 15 |
| Pièces non fournies | 15 |
| Méthodes d'évacuation | 16 |
| Installation | 16 |
| Electrical connection..... | 18 |
| Achever l'installation | 19 |
| Description de la hotte | 19 |
| Commandes | 19 |
| Entretien | 20 |
| Garantie | 21 |

**APPROUVÉ POUR LES APPAREILS DE TYPE RÉSIDENTIEL
POUR UNE UTILISATION RÉSIDENTIELLE SEULEMENT
LISEZ CES INSTRUCTIONS ET CONSERVEZ-LES**

**VEUILLEZ LIRE CES INSTRUCTIONS AU COMPLET AVANT DE COMMENCER.
L'INSTALLATION DE L'APPAREIL DOIT RESPECTER TOUS LES CODES EN VIGUEUR.**

IMPORTANT : Conservez ces instructions afin de pouvoir les remettre à l'inspecteur-électricien de votre région.

INSTALLATEUR : Veuillez laisser ces instructions avec l'appareil pour le propriétaire.

PROPRIÉTAIRE : Veuillez conserver ces instructions pour pouvoir vous y référer plus tard.

Avertissement de sécurité : Coupez l'alimentation du circuit dans le panneau électrique et verrouillez le panneau avant de raccorder les fils de cet appareil.

Exigence : 120 V c.a., 60 Hz circuit de dérivation de 15 V c.a., 20 Hz, de 15 ou 20 A.

⚠ AVIS DE SÉCURITÉ IMPORTANT

⚠ ATTENTION

UTILISER CET APPAREIL À DES FINS DE VENTILATION GÉNÉRALE SEULEMENT. NE PAS UTILISER CET APPAREIL POUR ÉVACUER DES MATÉRIAUX OU DES VAPEURS DANGEREUX OU EXPLOSIFS.

⚠ AVERTISSEMENT

POUR RÉDUIRE LES RISQUES D'INCENDIE, DE CHOC ÉLECTRIQUE ET DE BLESSURE, RESPECTER LES DIRECTIVES SUIVANTES:

- A. Utiliser cet appareil uniquement aux fins prévues par le fabricant. Si vous avez des questions à propos de l'appareil, communiquez avec le fabricant.
- B. Avant de faire l'entretien de l'appareil ou de le nettoyer, coupez l'alimentation dans le panneau électrique et verrouillez le panneau en bloquant le dispositif permettant d'empêcher d'activer l'alimentation accidentellement. S'il n'est pas possible de verrouiller l'accès au panneau, fixez une étiquette très voyante au panneau électrique.
- C. Une personne qualifiée doit effectuer l'installation et le câblage des fils électriques en conformité avec tous les codes et toutes les normes, y compris la cote de résistance au feu.
- D. Il est important de prévoir suffisamment d'air pour assurer une bonne combustion de l'équipement de chauffe et l'évacuation adéquates des gaz par le conduit de cheminé afin de prévenir les refoulements d'air. Respectez les directives et les normes de sécurité des fabricants de l'équipement de chauffage, comme celles publiées par la National Fire Protection Association (NFPA), la American Society for Heating, Refrigeration and Air Conditioning Engineers (ASHRAE) et le code des autorités de votre région.
- E. Au moment de couper ou de percer un mur ou un plafond, assurez-vous de ne pas endommager la filerie électrique ou tout autre accès à un service publique.
- F. Il faut toujours évacuer à l'extérieur les systèmes conduit.

⚠ ATTENTION

Pour réduire les risques d'incendie et évacuer l'air correctement, assurez-vous que le conduit mène à l'extérieur; il ne faut pas évacuer l'air dans l'espace entre les murs, dans les plafonds, dans les greniers, les vides sanitaires ou les garages.

⚠ AVERTISSEMENT

POUR RÉDUIRE DES RISQUES D'INCENDIE, UTILISEZ UNIQUEMENT DES CONDUITS EN MÉTAL.

Installez cette hotte en respectant toutes les exigences mentionnées.

⚠ AVERTISSEMENT

Pour réduire les risques d'incendie et de choc électrique, n'utilisez pas cette hotte avec un contrôleur de vitesse à semi-conducteurs.

⚠ ATTENTION

Dispositif à commande automatique - pour réduire le risque de Blessure Débrancher de l'alimentation électrique avant la maintenance.

⚠ AVERTISSEMENT

POUR RÉDUIRE LES RISQUES D'INCENDIE DE GRAISSE SUR LES CUISINIÈRES.

- a) Ne laissez jamais la cuisinière sans surveillance lorsqu'elle est réglée à une haute température. Les débordements par bouillonnement causent de la fumée et des débordements de gras qui peuvent s'enflammer. Faites chauffer l'huile lentement, à une température basse ou moyenne.
- b) Faites toujours fonctionner la hotte lorsque vous utilisez la cuisinière à une haute température ou que vous faites flamber des aliments (P. ex.: crêpes Suzette, cerises jubilé, boeuf au poivre flambé).
- c) Nettoyez les hélices de ventilation fréquemment. Il ne faut pas que la graisse s'accumule sur les filtres ou les hélices.
- d) Utilisez le bon format de casserole. Utilisez toujours un chaudron de taille approprié à l'élément de la cuisinière.
- e) Convient pour utilisation dans la zone de cuisson domestique.

⚠ AVERTISSEMENT

POUR ÉVITER DE BLESSER QUELQU'UN LORS D'UN INCENDIE DE GRAISSE SUR LA CUISINIÈRE, SUIVRE LES CONSEILS SUIVANTS:^a

- a) ÉTOUFFER LES FLAMMES avec un couvercle aux dimensions de la tache de cuisson, une tôle à biscuit ou tout autre plateau métallique, puis couper le gaz ou l'alimentation électrique de la cuisinière. FAIRE ATTENTION A NE PAS SE BRÛLER. Si les flammes ne s'éteignent pas immédiatement, QUITTER LA PIÈCE ET APPELER LES POMPIERS.
- b) NE JAMAIS PRENDRE EN MAIN UNE CASSEROLE N FEU, vous pourriez vous blesser.
- c) NE PAS UTILISER D'EAU, y compris les essuies de vaisselle ou les serviettes humides - une violente explosion due à la vapeur formée pourrait survenir.
- d) Utiliser un extincteur SEULEMENT si:
 - 1) Vous êtes sûr d'avoir un extincteur de classe ABC que vous savez utiliser.
 - 2) Le feu est petit et confiné à la zone où il s'est formé.
 - 3) Les pompiers ont été appelés.
 - 4) Vous pouvez lutter contre le feu avec une sortie derrière vous.
- e) Les ventilateurs conduits doivent toujours être évacués vers l'extérieur.

a Recommandations tirées des conseils de sécurité en cas d'incendie de cuisine publiés par la NFPA.

MODE OPÉRATEUR

Toujours laisser les grilles de sécurité et les filtres à leur place. Sans la présence de ces derniers, les parties aspirantes pourraient attirer les cheveux, les doigts ou les vêtements.

Le fabricant décline toute responsabilité si les informations détaillées dans ce manuel pour l'installation, l'entretien et l'utilisation adéquate du produit ne sont pas observées. Le fabricant décline en outre toute responsabilité pour d'éventuelles blessures dues à des négligences; en outre, la garantie de l'appareil sera annulée suite à des conditions d'entretien inappropriées. Cet appareil est fabriqué pour un usage interne. Ne pas utiliser cet appareil à l'extérieur.

EXIGENCES ÉLECTRIQUES ET D'INSTALLATION

IMPORTANT

Respectez tous les codes et les ordonnances en vigueur.

Le client a la responsabilité de :

- Contacter un électricien-installateur.
- Vérifier que l'installation électrique est adéquate et conforme avec le Code national de l'électricité, ANSI/ NFPA 70 (la plus récente édition*), ou les normes C22.1-94, Code canadien de l'électricité, Partie 1 et C22.2 No.0-M91 (La plus récente édition**) de la CSA, ainsi que tous les codes et les ordonnances de votre région.
- Si le code le permet et que vous utilisez un fil de mise à la terre distinct, il est recommandé de faire vérifier le chemin du fil par un électricien.
- Ne pas mettre l'appareil à la terre sur une conduite de gaz.
- Consultez un électricien qualifié si vous n'êtes pas certain que la hotte est mise à la terre correctement.
- N'installez pas un fusible dans le circuit neutre ou le circuit de mise à la terre.

IMPORTANT

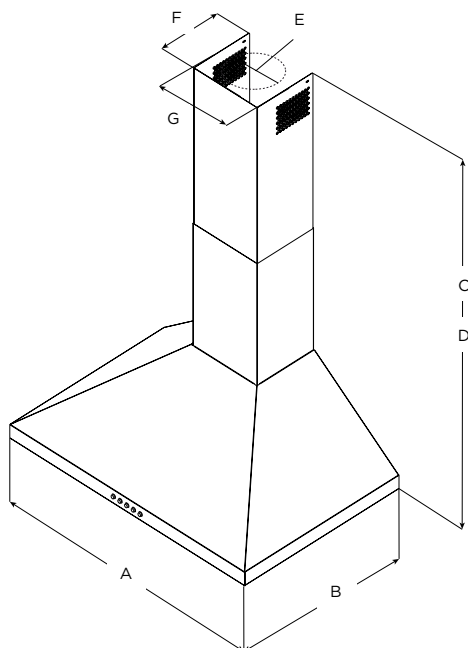
- Conservez ces instructions afin de pouvoir les remettre à l'inspecteur-électricien.
- La hotte doit être câblée uniquement à l'aide de fils de cuivre.
- Il faut raccorder la hotte directement à une boîte à fusible ou à un disjoncteur par l'entremise d'une canalisation électrique en métal.
- Le calibre de fil doit être conforme aux exigences du Code national de l'électricité, ANSI/NFPA 70 (La plus récente édition*), ou les normes C22.1-94, Code canadien de l'électricité, Partie 1 et C22.2 O-M91 (La plus récente édition**) de la CSA, ainsi que tous les codes et les ordonnances de votre région.
- Il faut prévoir un connecteur de canalisation approuvé par l'UL ou la CSA à chaque extrémité de la canalisation d'alimentation (À la hotte et à la boîte de jonction).

AVANT D'INSTALLER LA HOTTE

- 1 Pour assurer la ventilation la plus efficace possible, installez la conduite en ligne droite ou avec le moins de coudes possibles.
ATTENTION : La sortie de la conduite de ventilation doit donner sur l'extérieur.
- 2 Deux personnes sont nécessaires pour effectuer l'installation.
- 3 La quincaillerie fournie permet de fixer la hotte à la plupart des murs et des plafonds; consultez un installateur qualifié pour vous assurer que la quincaillerie fournie est adaptée à votre type de mur ou d'armoire.
- 4 N'utilisez pas de conduit flexible.
- 5 Dans le cas des endroits sujets aux TEMPÉRATURES FROIDES, il faut installer un clapet de contre-tirage supplémentaire afin de minimiser le retour d'air froid et un isolant thermique non métallique afin de minimiser la conduction de la température extérieur dans le conduit. Il faut placer le clapet du côté de l'air froid de l'isolant thermique.
L'isolant doit être placé le plus près possible de l'endroit où le conduit entre dans la partie chauffée de la maison.
- 6 Air d'appoint : Le code du bâtiment de votre région peut exiger l'utilisation d'un système d'air d'appoint si vous utilisez un système de ventilation à conduit dont le mouvement d'air dépasse un certain nombre de CFM. Le nombre de pi³/min varie d'une région à l'autre. Consultez un professionnel de CVC pour connaître les exigences précises de votre région.

Vous pouvez obtenir un exemplaire des normes indiquées en vous adressant à :
* La National Fire Protection Association, Batterymarch Park Quincy, Massachusetts, 02269
** La CSA International, 8501 East Pleasant Valley Road, Cleveland, Ohio, 44131-5575

DIMENSIONS DU PRODUIT



| | Modèles | | |
|------------|--|---|---|
| | EVL424SS | EVL430S2 EVR630S2 EVR630BL | EVL436S2 EVR636S2 EVR636BL |
| A | 23 ⁵ / ₁₆ " (60 cm) | 30" (76,2 cm) | 36" (91,4 cm) |
| B | 19 ¹ / ₁₆ " (50 cm) | | |
| C* | Max: 42 ¹ / ₈ " (107 cm) Min: 28 ⁵ / ₁₆ " (72 cm) | | |
| D** | Max: 38 ³ / ₁₆ " (97 cm) Min: 28 ⁵ / ₁₆ " (72 cm) | | |
| E | 6" (15,24 cm) | | |
| F | 7 ³ / ₁₆ " (18,3 cm) | | |
| G | 8 ³ / ₁₆ " (20,8 cm) | | |

* Seulement avec la version sans conduit (à recyclage)

** Seulement avec la version à conduit

LISTE DES PIÈCES

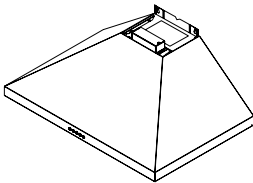
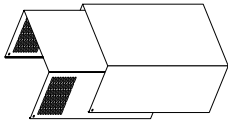

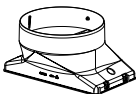

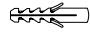

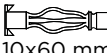
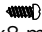

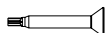
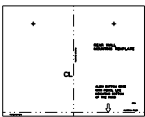
Retirer les pièces de leur emballage.

⚠ ATTENTION

Enlever délicatement le carton, porter des gants pour se protéger des bords coupants.

⚠ AVERTISSEMENT

Enlever le film de protection recouvrant le produit avant de commencer l'opération.

| Pièces Fournies | Quantité | Pièces Fournies | Quantité |
|---|----------|--|----------|
|  <p>Assemblage hotte avec soufflerie et lampes DEL</p> | 1 |  <p>Conduits de cheminée</p> | 2 |
|  <p>5x45 mm</p> | 6 |  <p>Transition ronde de 6"</p> | 1 |
|  <p>5,4x75 mm</p> | 4 |  <p>8x40 mm</p> | 2 |
|  <p>3,5x9,5 mm</p> | 2 |  <p>10x60 mm</p> | 4 |
|  <p>4x8 mm</p> | 2 |  <p>Bride de support du cache-conduit</p> | 1 |
|  <p>Adaptateur Torx 10</p> | 1 |  <p>Gabarit de montage</p> | 1 |

Pièces non Fournies

Outils nécessaires

- Niveau
- Perceuse avec forets de 1/4" (3,2 cm), 1/8" (3,2 mm), y 1/16" (4,8 mm)
- Crayon
- Pince à dénuder ou couteau utilitaire
- Mètre-ruban ou règle
- Pince
- Pistolet à calfeutrage et composé de calfeutrage résistant aux intempéries
- Brides de conduit
- Scie sauteuse ou scie à guichet
- Cisaille de ferblantier
- Tournevis à lame plate et Phillips (Pozidrive)

Accessoires optionnel

| KIT | # Pièce |
|--|------------|
| Kit de recyclage | KIT02766 |
| Caché Conduit Extension Kit | KIT02762 |
| Caché Conduit Extension Kit noire | KIT0140998 |

Méthodes d'évacuation

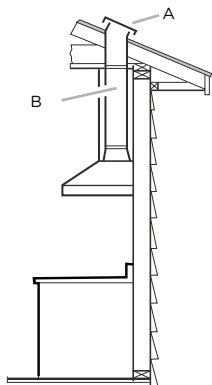
Suivez à la lettre les directives présentées dans ce manuel.

Le fabricant refuse toute responsabilité en ce qui a trait à tout préjudice, dommage ou incendie causé par la non observation des directives contenues dans le présent manuel.

Version à conduit

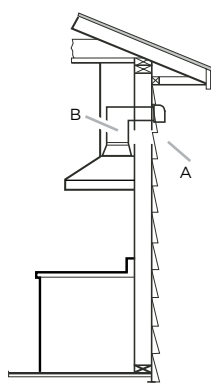
La hotte est dotée d'une transition 6" (15,2 cm) afin d'évacuer les vapeurs à l'extérieur.

Décharge à travers le toit



A. Bouche de décharge sur toit
B. Conduit rond de 6" (15,2 cm)

Décharge à travers le mur



A. Bouche de décharge sur le mur
B. Conduit rond de 6" (15,2 cm)

Préparation

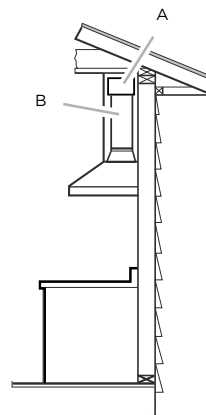
Ne coupez pas une solive ou un montant à moins qu'il soit absolument nécessaire de le faire. Si vous devez couper une solive ou un montant, vous devez construire un cadre de soutien. La quincaillerie fournie permet de fixer la hotte à la plupart des murs et des plafonds.

Vous devez cependant demander à un technicien qualifié de vérifier la solidité des matériaux selon le type de mur ou de plafond.

Avant de couper, assurez-vous qu'il y a un dégagement suffisant dans le plafond ou le mur pour passer la conduite de sortie.

Version sans conduit (Recyclage)

S'il s'avère impossible d'évacuer la fumée et les vapeurs de cuisson à l'extérieur, il est possible de transformer la hotte en version sans conduit (Recyclage). Fixer un filtre au charbon et le déflecteur sur le support de couvercle de conduit. La fumée et la vapeur sont recyclées. Dans le cas de la version sans conduit (à recyclage) seulement: procurez-vous la trousse de conversion en hotte à recyclage.



A. Déflecteur
B. Conduit rond de 6" (15,2 cm)

⚠ ATTENTION

Hauteurs d'installation

| Modèles de la hotte | EVL430S2, EVL436S2, EVL424SS | EVR630S2, EVR636S2, EVR630BL, EVR636BL |
|------------------------|------------------------------|--|
| Cuisiniers à gaz | 27" (66,6 cm) | 30" (76,2 cm) |
| Cuisiniers électriques | 24" (61 cm) | 27" (66,6 cm) |

Il est recommandé d'installer cette hotte plus de 36" (91,4 cm) au-dessus de la surface de cuisson. Par pouce (2,54 cm) supérieure à 36" (91,4 cm) diminuera l'efficacité de la capture de la fumée et de l'humidité, et la performance de ventilation.

S'IL VOUS PLAÎT LIRE L'INSTALLATION POUR UNE INSTALLATION SPÉCIFIQUE. Avant de choisir la hotte, vérifiez la hauteur du plafond et la hauteur maximale de la hotte.

Installation

Préparation de l'emplacement

- Il est recommandé d'installer le circuit d'évacuation avant de procéder à l'installation de la hotte.
- Avant d'exécuter les découpages, vérifier la disponibilité d'un dégagement suffisant dans le plafond ou le mur pour le conduit d'évacuation.
- Avant d'installer la hotte, mesurer la hauteur libre sous plafond et la hauteur maximum disponible sous la hotte.

- 1 Déconnecter la source de courant électrique.
- 2 Déterminer la méthode d'évacuation à utiliser: décharge à travers le mur ou le toit, ou recyclage.
- 3 Sélectionner une surface plane pour l'assemblage de la hotte. Placer le matériau de protection sur cette surface.

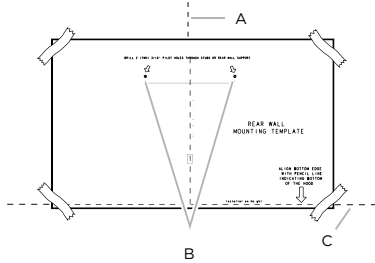
AVERTISSEMENT

POUR RÉDUIRE LE RISQUE D'INCENDIE, CHOC ÉLECTRIQUE OU DOMMAGES CORPORELS, RESPECTER LES INSTRUCTIONS SUIVANTES:

- 4 À l'aide de deux personnes ou plus, soulever la hotte et la poser sur la surface couverte.

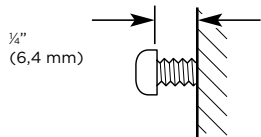
Installation des vis de montage de la hotte

- 1 Déterminer et marquer la position de l'axe central sur le mur où la hotte sera installée.
- 2 Sélectionnez une hauteur de montage dans le tableau Hauteurs d'Installation. Marquer la ligne de repérage sur le mur.
- 3 Fixer le gabarit en place avec du ruban adhésif; aligner l'axe central du gabarit et le bas du gabarit avec la ligne correspondant au bas de la hotte, et avec l'axe central déjà tracé sur le mur.



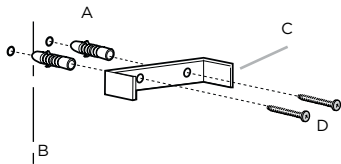
- A. Axe central
- B. Emplacements des attaches
- C. Ligne de référence pour la hauteur de montage (bas de la hotte)

- 4 À l'aide du gabarit, marquer sur le mur le centre des attaches. **IMPORTANT:** Toutes les vis de montage de la hotte en îlot doivent être vissées dans du bois où cela est possible. Si l'on ne peut pas visser les vis de montage de la hotte dans du bois, des tasseaux supplémentaires pour accrochage mural seront peut-être nécessaires.
- 5 Retirer le gabarit.
- 6 Pour bois, percer des avant-trous de $\frac{3}{16}$ " (4,8 mm) à tous les emplacements de pose des vis dans du bois.
- 7 Pour bois, installer les 2 vis de montage de 5 x 45 mm. Laisser un espace de $\frac{1}{4}$ " (6,4 mm) entre le mur et l'arrière de la tête de vis pour faire glisser la hotte et la mettre en place.



Installation de la bride de cache-conduit

- 1 Fixer la bride du cache-conduit au mur en affleurement avec le plafond à l'aide de 2 vis de 5 x 45 mm.



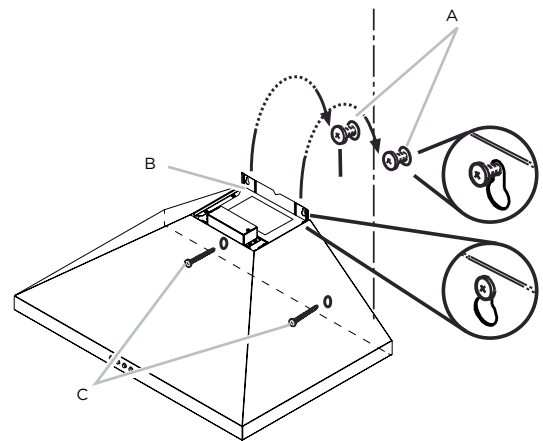
- A. 8 x 40 mm
- B. Axe central
- C. Bride de support du cache-conduit
- D. Vis de 5 x 45 mm

Achever la Préparation

- 1 Déterminer et effectuer tous les découpages nécessaires dans le mur pour le passage du circuit d'évacuation. Installer le circuit d'évacuation avant la hotte. Voir la section "Exigences concernant l'évacuation".
- 2 Déterminer la hauteur appropriée pour le cordon d'alimentation du domicile et percer un trou de $\frac{1}{4}$ " (3,2 cm) à cet endroit.
- 3 Acheminer le câble d'alimentation du domicile selon les prescriptions du Code national de l'électricité, des normes CSA et des codes et règlements locaux. Il faut que la longueur du conduit de $\frac{1}{2}$ " et des conducteurs soit suffisante depuis le tableau de distribution (avec fusibles ou disjoncteurs) pour réaliser le raccordement dans le boîtier de connexion de la hotte. **REMARQUE:** Ne pas mettre le système sous tension avant d'avoir complètement terminé l'installation.
- 4 Utiliser un calfeutrant pour assurer l'étanchéité au niveau de chaque ouverture.

Installation de la Hotte

- 1 À deux personnes au moins, suspendre la hotte aux 2 crochets de montage, à travers les encoches de montage à l'arrière de la hotte.

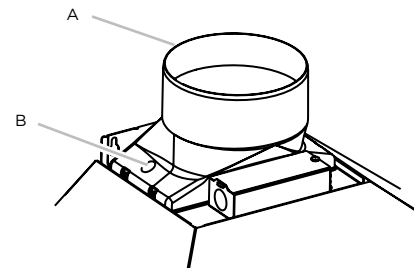


- A. Vis de montage
- B. Encoches de montage
- C. Vis de montage inférieures

- 2 Mark avec un crayon les emplacements des trous inférieurs.
- 3 Désinstaller l'ensemble de la hotte et percer des trous pilotes de $\frac{3}{16}$ " (4,8 mm) aux emplacements marqués.
- 4 Remplacer le capot sur 2 haut les vis de montage.
- 5 Mettre la hotte de niveau et serrer les vis de montage supérieures.
- 6 Installer les 2 vis de montage de 5 x 45 mm et serrer. Utiliser les pièces d'ancrage mural facultatives si nécessaire.

Raccordement du circuit d'évacuation

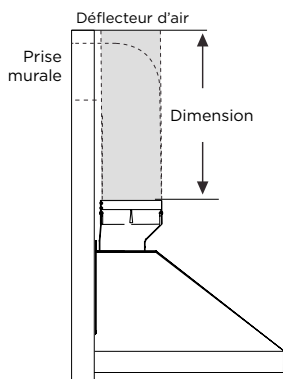
- 1 Installer le raccord de transition au sommet de la hotte (s'il a été enlevé pour expédition), avec 2 vis de 3,5 x 9,5 mm.



- A. Raccord de transition
- B. Vis 3,5 x 9,5 mm

Pour les installations avec décharge à l'extérieur uniquement:

- 1 Le circuit d'évacuation doit être installé par dessus la sortie d'évacuation.
- 2 Mesurer la distance entre le bas du déflecteur et le bas de la sortie de la hotte. Couper le conduit à la dimension mesurée.



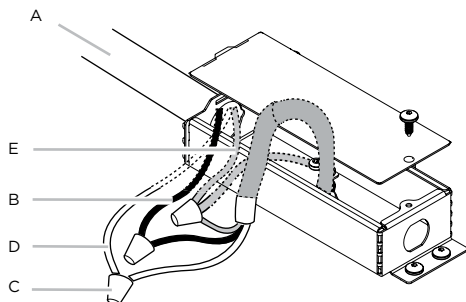
- 3 Serrer le raccord avec des brides de serrage.
- 4 Vérifier que les clapets anti-retour fonctionnent correctement.

Connexion Électrique

⚠ AVERTISSEMENT
RISQUE DE CHOC ÉLECTRIQUE

⚠ AVERTISSEMENT
DÉCONNECTER LA SOURCE DE COURANT ÉLECTRIQUE AVANT L'ENTRETIEN.
REPLACER PIÈCES ET PANNEAUX AVANT DE FAIRE LA REMISE EN MARCHÉ. LE NON-RESPECT DE CES INSTRUCTIONS PEUT CAUSER UN DÉCÈS OU UN CHOC ÉLECTRIQUE.

- 1 Déconnecter la source de courant électrique.
- 2 Retirer le couvercle du boîtier de connexion.
- 3 Ôter l'opercule arrachable du boîtier de connexion et installer un serre-câble de 1/2" (homologation UL ou CSA).
- 4 Acheminer le cordon d'alimentation du domicile à travers le serre-câble, dans le boîtier de connexion.



- | | |
|--|---|
| A. Câble d'alimentation électrique du domicile | D. Conducteurs blancs |
| B. Conducteurs noirs | E. Conducteurs verts (ou nus) ou vert-jaune de liaison à la terre |
| C. Connecteurs de fils (homologation UL) | |

- 5 Connecter ensemble les conducteurs noirs (B) à l'aide de connecteurs de fils (homologation UL).
- 6 Connecter ensemble les conducteurs blancs (D) à l'aide de connecteurs de fils (homologation UL).

⚠ AVERTISSEMENT
RISQUE DE CHOC ÉLECTRIQUE

⚠ AVERTISSEMENT
DÉCONNECTER LA SOURCE DE COURANT ÉLECTRIQUE AVANT L'ENTRETIEN.

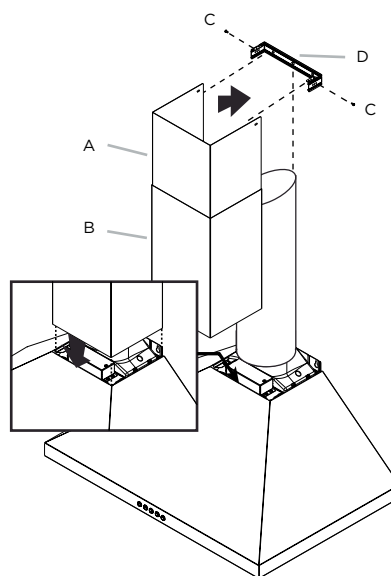
REPLACER PIÈCES ET PANNEAUX AVANT DE FAIRE LA REMISE EN MARCHÉ. LE NON-RESPECT DE CES INSTRUCTIONS PEUT CAUSER UN DÉCÈS OU UN CHOC ÉLECTRIQUE.

- 7 À l'aide des connecteurs de fils (homologation UL), connecter le conducteur de liaison à la terre (vert ou nu) du câble d'alimentation du domicile au conducteur vert-jaune de liaison à la terre (E) dans le boîtier de connexion.
- 8 Serrer la vis du serre-câble.
- 9 Installer le couvercle du boîtier de connexion.
- 10 Vérifier que chaque ampoule est bien insérée dans sa douille.
- 11 Reconnecter la source de courant électrique.

Installation des Cache-conduits

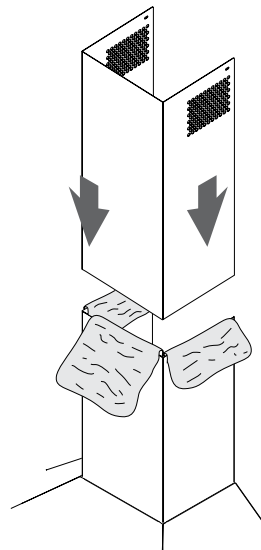
- En cas d'utilisation des sections supérieure et inférieure du cache-conduit, pousser la section inférieure vers le bas, sur la hotte et soulever la section supérieure vers le plafond et installer avec 2 vis de montage.

REMARQUE: Pour les installations avec décharge à l'extérieur, le cache-conduit supérieur peut être inversé pour dissimuler les fentes.



- | | |
|----|-----------------------------|
| A. | Supérieure du cache-conduit |
| B. | Inférieure du cache-conduit |
| C. | Vis de 4,2 x 8 mm |
| D. | Support |

REMARQUE: Pour éviter les rayures, déposer du papier ou une serviette de cuisine sur les bords du conduit de cheminée inférieure pour protéger la surface.



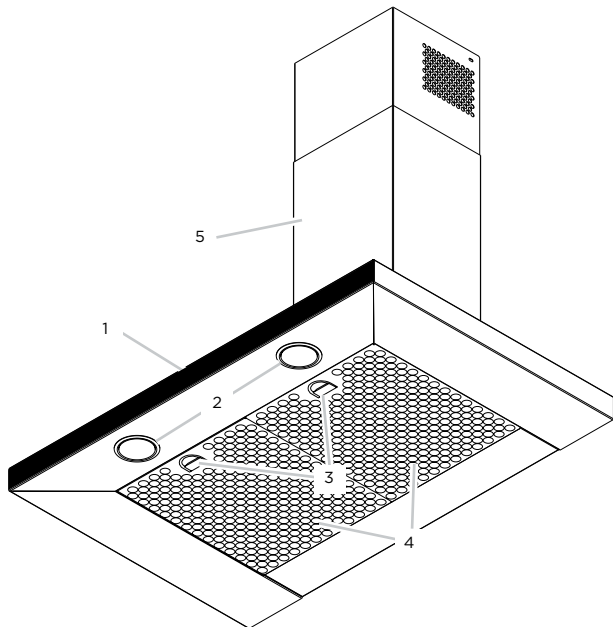
Achever l'installation

- Pour les installations sans décharge à l'extérieur (recyclage) uniquement, installer les filtres à charbon sur le filtre à graisse métallique. Voir la section "Entretien".
- Installer les filtres métalliques. Voir la section "Entretien".

REMARQUE: Pour pouvoir tirer le plus grand parti de la nouvelle hotte de cuisinière, lire la section "Entretien".

Description de la hotte

Modèles EVR630 & EVR636



1. Commandes du ventilateur et lampes
2. Lampes DEL
3. Poignée du filtre à graisse
4. Filtre à graisse
5. Conduits de cheminée


Commandes



1. Bouton OFF moteur (stand by)
2. Bouton de sélection vitesse (puissance d'aspiration) basse – le clignotement indique la nécessité de laver le filtre à graisse.
3. Bouton de sélection vitesse (puissance d'aspiration) moyenne.
4. Bouton de sélection vitesse (puissance d'aspiration) haute.
5. Bouton de sélection vitesse (puissance d'aspiration) intensive – durée de 5 minutes et ensuite la hotte revient à la vitesse (puissance d'aspiration) moyenne. La touche clignote dans pour indiquer la temporisation de la vitesse.

Indicateurs de Saturation filtres:


À intervalles réguliers, la hotte indique la nécessité d'effectuer l'entretien des filtres.

Touche  éclairée à lumière fixe:
Effectuer l'entretien du filtre à graisse.

Touche  éclairée clignotante:
Effectuer l'entretien du filtre à charbon actif.

Remarque: L'indication de la saturation des filtres est visible pendant la première minute après l'arrêt de la hotte; dans ce délai, la réinitialisation des indicateurs de saturation doit être effectuée.

Reset indicateurs de saturation filtres:


Appuyez longuement sur la touche 

Activation indicateur de saturation filtre à charbon actif

Remarque: Cette opération doit être effectuée avec la hotte éteinte. Cet indicateur est normalement désactivé, appuyez

longuement sur la touche  pour activer la fonction: la touche est éclairée à lumière fixe.

Pour désactiver la fonction, appuyez longuement sur la

touche : la touche est éclairée à lumière clignotante.

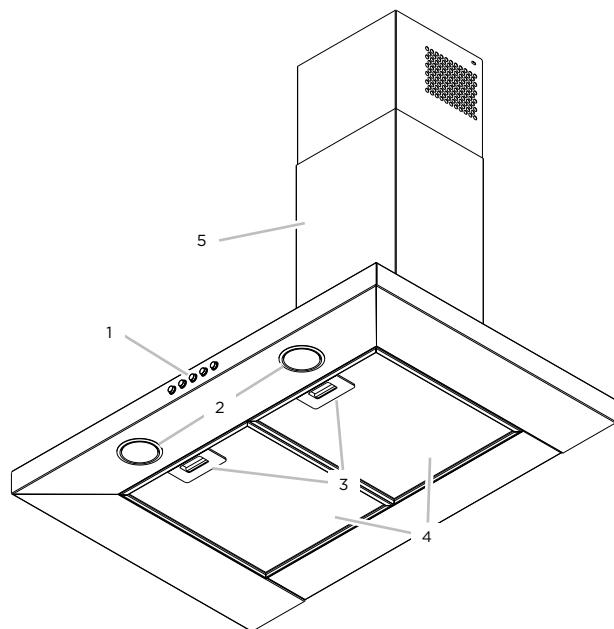
CRS Système de Réduction CFM

Avant d'utiliser la hotte:

Certaines régions et provinces des États-Unis et Canada limitent la the maximum exhausting airflow of range hoods. Airflow is measured as cubic feet per minute (CFM). These maximum levels allowed are detailed in the local code of your area. Please check local codes to find out if you need to restrict the maximum airflow of your hood. If your local code mandates a maximum airflow level below the maximum airflow of this hood (i.e. 600 CFM), please execute the procedure below to reduce the maximum airflow.

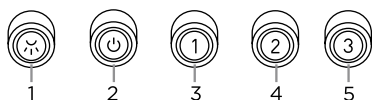


- 1 Désactiver le moteur.
- 2 Appuyez sur les touches ON / OFF (1) et Vitesse Intensive (5) ensemble pendant 3 secondes. Vous entendrez un bip et toutes les lumières de contrôle s'allumeront pendant 3 secondes. Les 3ème et 4ème vitesses seront désactivées et effectively lower the Maximum airflow to >300 CFM.
- 3 Locate the CFM certification sticker in the hardware pack.
- 4 Peel and Affix this sticker to a visible area in the blower. This sticker provides official certification to your local inspector that this hoods maximum airflow has been reduced to >300 CFM.



1. Commandes du ventilateur et lampes
2. Lampes DEL
3. Poignée du filtre à graisse
4. Filtre à graisse
5. Conduits de cheminée

Commandes



1. Bouton On/Off (marche/arrêt) de l'éclairage
2. Bouton On/Off (marche/arrêt) du ventilateur
3. Bouton de vitesse minimale du ventilateur
4. Bouton de vitesse moyenne du ventilateur
5. Bouton de vitesse maximale du ventilateur

REMARQUE: Les boutons de commandes s'allument lorsque la hotte est en marche.

Utilisation de la lampe

Le bouton On/Off (marche/arrêt) de l'éclairage (1) commande le fonctionnement des deux lampes. Appuyer une fois pour On (marche) et une deuxième fois pour Off (arrêt).

Utilisation du ventilateur

Le bouton On/Off (marche/arrêt) du ventilateur (2) met en marche ou éteint le ventilateur. Les boutons de vitesse du ventilateur (3, 4 et 5) règlent la vitesse souhaitée et contrôlent le niveau sonore pour un fonctionnement silencieux. On peut modifier la vitesse à tout moment pendant le fonctionnement du ventilateur en appuyant sur le bouton de vitesse du ventilateur souhaité.

- 1 Pour mettre le ventilateur en marche, appuyer sur le bouton de marche/arrêt du ventilateur (2) et sur le bouton de vitesse souhaité (3, 4 ou 5).
- 2 Pour éteindre le ventilateur, appuyer sur le bouton de marche/arrêt (2).

N'importe lequel des 3 boutons de vitesse du ventilateur peut être placé à la position On (marche) de façon simultanée. Le ventilateur fonctionne au bouton de vitesse la plus élevée qui a été enfoncé. Pour obtenir une vitesse de ventilateur inférieure, les boutons de vitesse supérieure ne doivent pas être enfoncés.

Entretien

Nettoyage

Ne pas vaporiser de nettoyants directement sur le panneau de contrôle lors du nettoyage de la Hotte. La hotte doit être régulièrement nettoyée à l'intérieur et à l'extérieur (au moins à la même fréquence que pour l'entretien des filtres à graisse). Pour le nettoyage, utiliser un chiffon humidifié avec un détergent liquide neutre. Ne pas utiliser de produit contenant des abrasifs. Ne pas utiliser de nettoyants à base de chlore. **NE PAS UTILISER D'ALCOOL!**

⚠ ATTENTION

Il y a risque d'incendie si vous ne respectez pas les instructions concernant le nettoyage de l'appareil et le remplacement ou le nettoyage du filtre.

La responsabilité du constructeur ne peut en aucun cas être engagée dans le cas d'un endommagement du moteur ou d'incendie liés à un entretien négligé ou au non respect des consignes de sécurité précédemment mentionnées.

Filtre à graisse

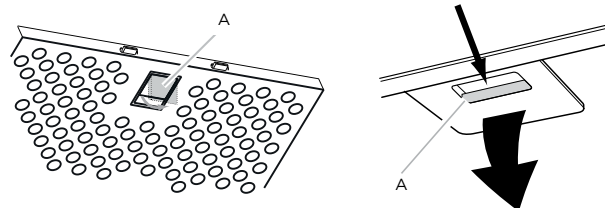
Il retient les particules de graisse issues de la cuisson. Le filtre doit être nettoyé une fois par mois avec des détergents non agressifs, à la main ou dans le lave-vaisselle à faibles températures et cycle rapide.

Le lavage du filtre anti-graisse métallique au lave-vaisselle peut en provoquer la décoloration. Toutefois, les caractéristiques de filtrage ne seront en aucun cas modifiées.

Pour démonter le filtre anti-graisse, tirer la poignée de décrochement à ressort.

EVR630 & EVR636 models

EVL424, EVL430 & EVL436 models



A. Poignée à ressort

Remplacement de la lampe à DEL

Les lumières DEL sont remplaçables par un technicien de service seulement. Voir les informations de contact de service: "Qui contacter".

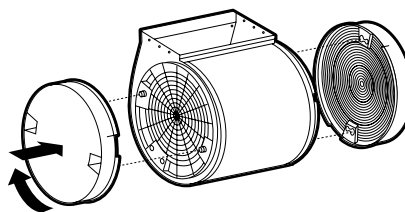
Filtres à charbon

REMARQUE

En mode de recirculation, pour réduire le risque d'incendie et de choc, utilisez seulement des kits de conversion: Kit de Recyclage: KITO2766

Si le système n'a pas d'évacuation vers l'extérieur, l'air va circuler à travers des filtres à charbon jetables qui vont aider à éliminer fumée et odeurs.

- 1 Posez le filtre à charbon comme couverture de la grille qui protège le moteur aspirant de manière que les fentes présentes sur le filtre correspondent aux pivots sur les côtés de la grille protège-moteur.
- 2 Tournez le filtre à charbon dans le sens des aiguilles d'une montre pour le bloquer (fixation à baïonnette).
- 3 Les filtres à charbon ne peuvent pas être nettoyés. Il doit être remplacé tous les 4-6 mois (selon l'utilisation de la hotte).



POUR OBTENIR UN DEPANNAGE SOUS GARANTIE

Le propriétaire doit présenter une preuve de la date d'achat. Garder une copie de votre preuve d'achat datée (ticket de caisse) de façon à pouvoir bénéficier du service après-vente sous garantie.

GARANTIE PIÈCES DE RECHANGE ET MAIN D'OEUVRE

Pendant une période de deux (2) ans à partir de la date d'achat, Elica s'engage à fournir gratuitement les pièces de rechange ou les composants autres que les recharges ayant des défauts de fabrication.

Durant cette garantie de deux (2) ans, Elica fournira également gratuitement, toute la main d'oeuvre et le service à domicile pour remplacer d'éventuelles pièces défectueuses.

CE QUE LA GARANTIE NE COUVRE PAS

- Dégât ou panne du produit causé par un accident ou un cas de force majeure tels que inondation, incendie ou tremblement de terre.
- Dégât ou panne du produit causé par modification du produit ou utilisation de pièces pas d'origine.
- Dégât ou panne du produit causé lors de la livraison, de la manipulation ou de l'installation.
- Dégât ou panne du produit causé par une mauvaise utilisation.
- Dégât ou panne du produit causé par un remplacement des fusibles ou une remise en fonction des disjoncteurs par le propriétaire.
- Dégât ou panne du produit causé par une utilisation du produit pour raison commerciale.
- Déplacement à domicile pour explication d'utilisation ou d'entretien.
- Ampoules, filtres métalliques ou au charbon et toute autre pièce consommable.
- Usure normale.
- Usure due à une mauvaise utilisation du propriétaire, un entretien incorrect, une utilisation de substances nettoyantes corrosives ou abrasives et produits de nettoyage pour four.

QUI EST COUVERT

Cette garantie s'étend à l'acheteur original de produits achetés pour un usage domestique habituel en Amérique du Nord (Y compris Etats Unis, Guam, Porto Rico, les Iles virgins Américaines & le Canada).

Cette garantie n'est pas transférable et vaut uniquement pour l'acheteur original et ne s'étend pas aux propriétaires successifs du produit. Cette garantie vaut expressément en lieu et place de toute autre garantie, expresse ou sous-entendue, mais ne limite pas toute autre garantie sous-entendue de marchandage ou adaptation dans un but particulier et toute autre obligation de la part de Elica North America, étant entendu, cependant, que si la réclamation pour garanties sous-entendues n'est pas applicable aux yeux de la loi en vigueur, la durée de toute garantie sous-entendue émanant de la loi doit être limitée à deux (2) ans à partir de la date d'achat du produit ou à une période plus longue selon ce que dit la loi en vigueur.

Cette garantie ne couvre pas tout dégât particulier, accidentel et/ou consécutif, ni les pertes et profits, à charge du propriétaire, des ses clients et/ou des utilisateurs Des produits.

QUI CONTACTER

Pour obtenir un Service Après-vente durant la Garantie ou pour toute autre Question liée au Service Après-vente:

Appeler:

- Service Après-vente autorisé Elica North America au (888) 732-8018
- Pour l'Est du Canada, composez le 1-888 651 2534 *Demandez le service après-vente*

Contenido

Aviso de seguridad importante..... 22

 Requisitos eléctricos y de instalación..... 25

 Antes de instalar la campana..... 25

Dimensiones del producto 25

Lista de materiales..... 26

 Piezas suministradas 26

 Piezas no suministradas 26

Métodos de ventilación..... 27

Instalación..... 27

 Conexión eléctrica..... 29

 Complete la instalación..... 30

 Descripción de la campana..... 30

Control..... 30

Mantenimiento..... 31

Garantía 32

**APROBADO PARA APARATOS DE USO DOMÉSTICO
SÓLO PARA USO DOMÉSTICO
LEA Y GUARDE ESTAS INSTRUCCIONES**

**ANTES DE CONTINUAR, LEA LAS INSTRUCCIONES POR COMPLETO.
LA INSTALACIÓN DEBE CUMPLIR TODA LA NORMATIVA LOCAL.**

IMPORTANTE: Guarde estas instrucciones para su uso por parte del inspector de electricidad local.
INSTALADOR: Entregue al propietario estas instrucciones junto con la unidad.
PROPIETARIO: Conserve estas instrucciones para futuras consultas.

Advertencia de seguridad: Antes de realizar el cableado de este aparato, desactive el circuito de energía eléctrica en el panel de servicio y desbloquee el panel.
Requisito: Circuito auxiliar de 120 V AC, 60 Hz. 15 ó 20 A.

CAMPANA PURIFICADORA
Marca: ELICA
Modelos: EVR630BL, EVR636BL
Contenido: 1 pza
Hecho en México
Fabricado por: ELICAMEX S.A. de C.V.
Dirección: Av. La Noria No. 102 int. S/N Col. Parque Industrial Querétaro
Del. Santiago de Querétaro, C.P. 76220 Querétaro, R.F.C. EII060102RK8

⚠ AVISO DE SEGURIDAD IMPORTANTE

⚠ PRECAUCIÓN

SÓLO PARA USO DE VENTILACIÓN GENERAL. NO UTILIZAR PARA EXPULSAR VAPORES O MATERIALES PELIGROSOS O EXPLOSIVOS.

⚠ ADVERTENCIA

PARA REDUCIR EL RIESGO DE FUEGO, DESCARGA ELÉCTRICA O LESIONES PERSONALES, RESPETE LO SIGUIENTE:

- A. Utilice esta unidad solamente en el modo que indica el fabricante. En caso de duda, póngase en contacto con el fabricante.
- B. Antes de reparar o limpiar la unidad, desconecte la alimentación en el panel de servicio y bloquee los medios de desconexión del panel de servicio para evitar la conexión accidental de la alimentación. Si no es posible bloquear los medios de desconexión del panel de servicio, coloque un dispositivo de advertencia que destaque como, por ejemplo, una etiqueta, en el panel de servicio.
- C. La instalación y el cableado eléctrico deben realizarlos personas cualificadas de acuerdo con las normativas y los estándares aplicables, incluida la construcción ignífuga.
- D. Es necesaria una ventilación suficiente para la correcta combustión y expulsión de gases por la salida de humos (Chimenea) del equipo de combustión de carburante para evitar el contratiro. Siga las directrices de fabricantes de equipos de calefacción y los estándares de seguridad como los publicados por la National Fire Protection Association (NFPA), American Society for Heating, Refrigeration and Air Conditioning Engineers (ASHRAE) y las normativas locales.
- E. Al efectuar orificios en una pared o techo, no dañe el cableado eléctrico y otras instalaciones ocultas.
- F. Los sistemas instalados mediante conducto deben tener ventilación con salida al exterior.

⚠ PRECAUCIÓN

Para reducir el riesgo de fuego y conseguir una salida del aire correcta, asegúrese de conducir el aire hacia el exterior. No permita que el aire se expulse en espacios situados en el interior de muros, techos, desvanes, sótanos de pequeña altura o garajes.

⚠ ADVERTENCIA

PARA REDUCIR EL RIESGO DE FUEGO, UTILICE SOLAMENTE TUBOS METÁLICOS.

Instale esta campana de acuerdo con los requisitos especificados.

⚠ ADVERTENCIA

Para reducir el riesgo de fuego o descarga eléctrica, no utilice esta campana con ningún dispositivo externo en estado sólido para el control de la velocidad.

⚠ ADVERTENCIA

PARA REDUCIR EL RIESGO DE INCENDIO OCASIONADO POR GRASA:

- a) No deje nunca ninguna unidad externa desatendida y con valores de fuego altos. La cocción puede causar humo o reboses de grasa que pueden prender fuego. Caliente el aceite a fuego lento o medio.
- b) Encienda siempre la campana cuando cocine a una temperatura alta o cuando realice flameados (por ejemplo, Crepas Suzette, cerezas flameadas, ternera a la pimienta flameada).
- c) Limpie con frecuencia los ventiladores. No permita que la grasa se acumule en el ventilador o filtro.
- d) Utilice un tamaño de sartén adecuado. Utilice siempre piezas de batería de cocina adecuadas al tamaño del elemento de superficie.

⚠ ADVERTENCIA

PARA REDUCIR EL RIESGO DE LESIONES PERSONALES, EN CASO DE FUEGO OCASIONADO POR GRASA, TENGA EN CUENTA LO SIGUIENTE:^a

- a) **EXTINGA LAS LLAMAS** con una tapa ajustada, una lámina para hacer galletas u otro tipo de bandeja metálica y apague el quemador de gas o elemento eléctrico. **TENGA CUIDADO PARA EVITAR QUEMADURAS.** Si las llamas no se extinguen inmediatamente, **DESALOJE EL LUGAR Y LLAME A LOS BOMBEROS.**
- b) **NUNCA TOME UNA SARTÉN EN LLAMAS**, podría sufrir quemaduras.
- c) **NO UTILICE AGUA**, incluidas bayetas o toallas húmedas ya que se produciría una violenta explosión de vapor.
- d) Utilice un extintor **SÓLO** si:
 - 1) Sabe que dispone de un extintor de la clase ABC y conoce su funcionamiento.
 - 2) El fuego es pequeño y se encuentra en la misma zona donde se inició.
 - 3) Ha llamado a los bomberos.
 - 4) Puede luchar contra el fuego teniendo una salida a su espalda.

^aBasado en "Consejos de seguridad para fuegos se cocina" publicado por NFPA.

⚠ PRECAUCIÓN

Equipo operado automáticamente - para reducir el riesgo de lastimarse desconecte de la línea antes de dar servicio.

- Use esta unidad de la manera para la que fue diseñada por el fabricante. Si tiene preguntas, póngase en contacto con el fabricante.
- Electrodoméstico diseñado exclusivamente para su uso en interiores.
- Antes de dar servicio o limpiar la unidad, apague el suministro de energía en el panel de servicio y bloquee los medios de desconexión del servicio para evitar que se encienda accidentalmente el suministro de energía. Cuando el medio de desconexión del servicio no se pueda bloquear, sujete de manera segura un dispositivo de advertencia prominente, como podría ser una etiqueta, al panel de servicio.
- Limpie la unidad de acuerdo a las instrucciones descritas en este manual para evitar riesgo de incendio.
- El trabajo de instalación y cableado se debe llevar a cabo por una persona(s) calificada(s), en conformidad con todos los códigos y estándares aplicables, incluyendo construcciones clasificadas como resistentes al fuego.
- En caso de que su cordón de alimentación llegase a sufrir un daño parcial o total no trate de repararlo acuda al centro de servicio marcado en su garantía o bien con un técnico especialista para su sustitución.
- Es necesario que haya suficiente aire para la adecuada combustión y ventilación de gases a través del conducto (la chimenea) del equipo que consume combustible, para evitar que ocurra contratiro. Siga la guía y los estándares de seguridad del fabricante del equipo de calefacción.
- Cuando corte o taladre en una pared o techo, no dañe el cableado ni otros servicios públicos.
- Los ventiladores con conductos siempre deben dar salida al aire hacia el exterior.
NOTA: Sólo para versión Aspirante.
- Para usarse solamente en ventilación común. No lo utilice para ventilar materiales y vapores peligrosos o explosivos.
- Sólo use conductos metálicos.

RECOMENDACIONES GENERALES

- Nunca deje las unidades de superficie sin vigilancia cuando estén en ajustes altos. Los derrames por hervor causan salpicaduras grasosas y humeantes, las cuales pueden encenderse. Caliente los aceites lentamente y con ajustes bajos o medios.
- Siempre **ENCIENDA LA CAMPANA** cuando cocine.
- Limpie los filtros anti-grasa con frecuencia (al menos cada 2 meses). No permita que se acumule la grasa en el filtro. Aplica para filtros de aluminio.
- Se recomienda cambiar los filtros de carbón cada 6 meses (ver números de parte en pág. 21).
- No flamear alimentos bajo la campana de cocina.
- Use cacerolas del tamaño adecuado. Siempre use utensilios de cocción que sean los adecuados para el tamaño del elemento de la superficie.
- Este aparato no se destina para utilizarse por personas (incluyendo niños) cuyas capacidades físicas, sensoriales o mentales sean diferentes o estén reducidas o carezcan de experiencia o conocimiento a menos que dichas personas reciban supervisión o capacitación del funcionamiento del aparato por una persona responsable de su seguridad.
- Los niños deben supervisarse para asegurar que ellos no empleen los aparatos como juguete.
- No use el ventilador de la campana con ningún dispositivo semiconductor para el control de la velocidad.

REQUISITOS ELÉCTRICOS Y DE INSTALACIÓN

IMPORTANTE

Cumpla todas las normativas y ordenanzas gubernamentales. Es responsabilidad del cliente:

- Ponerse en contacto con un instalador eléctrico cualificado.
- Asegurarse de que la instalación eléctrica es adecuada y en conformidad con National Electrical Code, ANSI/NFPA 70 (última edición*) o CSA Standards C22.1-94, Canadian Electrical Code, Parte 1 y C22.2 No.0-M91 (última edición*) y toda la normativa y las ordenanzas locales.
- Si la normativa lo permite y se utiliza un cable de toma a tierra independiente, se recomienda que un electricista cualificado determine si la difracción de onda de tierra es la adecuada.
- No ubique la toma a tierra en una tubería de gas.
- Si no está seguro de que la campana está correctamente conectada a tierra, consulte a un electricista cualificado.
- No coloque ningún fusible en el circuito neutral o con vuelta por tierra.

IMPORTANTE

- Guarde las instrucciones de instalación para su uso por parte del inspector de electricidad.
- La campana debe estar conectada únicamente con hilo de cobre.
- La campana debe estar conectada directamente al desconectador con fusible (o disyuntor) mediante canal metálico de cables eléctricos.
- Los tamaños de cable deben cumplir los requisitos de la National Electrical Code, ANSI/NFPA 70 (última edición*) o CSA Standards C22.1-94, Canadian Electrical Code, Parte 1 y C22.2 No.0-M91 (última edición*) y toda la normativa y las ordenanzas locales.

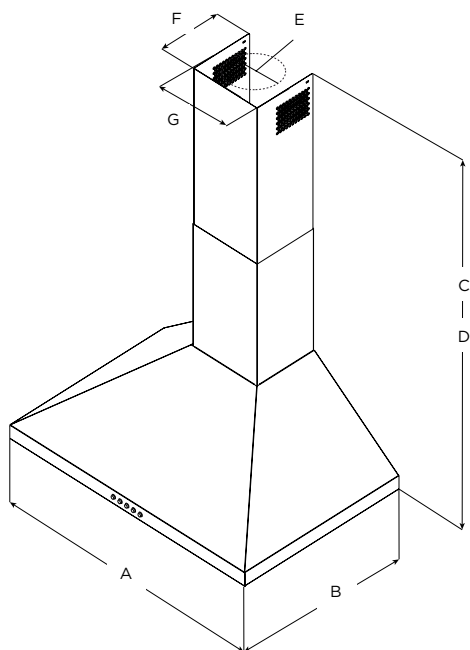
- Es preciso colocar un conector de canal de cables enumerado en U.L. o C.S.A. en cada extremo del canal de cables de fuente de alimentación (en la campana y en la caja de conexiones).

Se pueden obtener copias de los estándares enumerados en:
 * National Fire Protection Association Batterymarch Park Quincy, Massachusetts 02269
 ** CSA International 8501 East Pleasant Valley Road Cleveland, Ohio 44131-5575

ANTES DE INSTALAR LA CAMPANA

- 1 Para obtener una circulación del flujo de aire más eficaz, utilice un tubo de tramo recto o el menor número posible de tubos acodados.
PRECAUCIÓN: el conducto de ventilación solamente debe tener salida hacia la parte exterior del edificio.
- 2 Para realizar la instalación, se necesitan al menos dos personas.
- 3 La campana se ajusta mediante material adecuados para la mayoría de superficies; consulte a un instalador cualificado para comprobar si quedan perfectamente ajustados al armario o a la pared.
 No emplee tubos flexibles.
- 4 Las instalaciones en CONDICIONES CLIMÁTICAS FRÍAS deben tener instalado un regulador de contratiro adicional para minimizar el flujo de aire inverso y una rotura térmica no metálica para minimizar la conducción de temperaturas externas como parte de los tubos. El regulador debe encontrarse en la parte de aire frío de la rotura térmica. La rotura debe estar lo más cerca posible al lugar donde los tubos entran en la parte caliente de la casa.
- 5 Aire limpio: Las normativas locales para edificios pueden requerir el uso de sistemas de aire limpio cuando se utilizan sistemas de ventilación mediante tubos superiores al CFM especificado de movimiento de aire.
- 6 El CFM especificado varía de una zona a otra.
 Para conocer los requisitos específicos de su zona, consulte a un profesional de HVAC.

DIMENSIONES DEL PRODUCTO



| | Modelos | | |
|------------|---|---|---|
| | EVL424SS | EVL430S2 EVR630S2 EVR630BL | EVL436S2 EVR636S2 EVR636BL |
| A | 23 $\frac{3}{8}$ " (60 cm) | 30" (76.2 cm) | 36" (91.4 cm) |
| B | 19 $\frac{1}{8}$ " (50 cm) | | |
| C* | Máx: 42 $\frac{1}{8}$ " (107 cm) Mín: 28 $\frac{3}{8}$ " (72 cm) | | |
| D** | Máx: 38 $\frac{3}{8}$ " (97 cm) Mín: 28 $\frac{3}{8}$ " (72 cm) | | |
| E | 6" (15.24 cm) | | |
| F | 7 $\frac{3}{8}$ " (18.3 cm) | | |
| G | 8 $\frac{3}{8}$ " (20.8 cm) | | |

* Solamente en la versión sin tubos (Recirculación)
 ** Solamente en la versión con tubos

LISTA DE MATERIALES

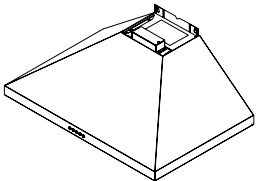
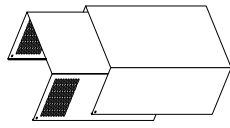

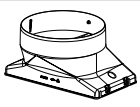

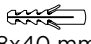

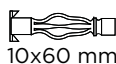
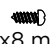

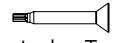
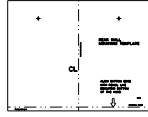
Remoción de la confección.

⚠ PRECAUCIÓN

Quite la caja cuidadosamente, use guantes para protegerse contra los bordes afilados.

⚠ ADVERTENCIA

Quite la película de protección que cubre el producto antes de ponerlo en funcionamiento.

| Piezas suministradas | Piezas | Piezas suministradas | Piezas |
|--|--------|---|----------------------------|
|  <p>Campana y lámparas LED previamente instaladas</p> | 1 |  <p>Cubiertas del conducto</p> | Superior: 1 Inferior: 1 |
|  <p>5x45 mm</p> | 6 |  <p>Transición redonda de 6"</p> | 1 |
|  <p>5.4x75 mm</p> | 4 |  <p>8x40 mm</p> | 2 |
|  <p>3.5x9.5 mm</p> | 2 |  <p>10x60 mm</p> | 4 |
|  <p>4x8 mm</p> | 2 |  <p>Soporte de la cubierta del ducto</p> | 1 |
|  <p>Adaptador Torx 10</p> | 1 |  <p>Plantilla de montaje</p> | 1 |

Piezas no suministradas

Herramientas/Materiales necesarios

- Nivel
- Taladro con brocas de 1/4" (3.2 cm), 1/8" (3.2 mm) y 1/16" (4.8 mm)
- Lápiz
- Pelacables o cuchillo de uso general
- Cinta de medir o regla
- Pinzas
- Pistola para calafateo y masilla para calafateo a prueba de agua
- Abrazaderas para ducto de ventilación
- Sierra de vaivén o sierra caladora
- Tijeras de hojalatero
- Destornilladores:
 - Phillips
 - De hoja plana

Accesorios opcionales

| KIT | # Pieza |
|------------------------------------|------------|
| Kit Recirculante | KIT02766 |
| Extensión de Chimenea | KIT02762 |
| Extensión de Chimenea negra | KIT0140998 |

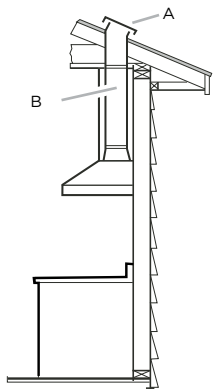
Métodos de ventilación

Siga detenidamente las instrucciones expuestas en este manual. Se declina toda responsabilidad de cualquier inconveniencia, daños o incendios eventuales ocasionados por el incumplimiento de las instrucciones de este manual.

Salida de escape

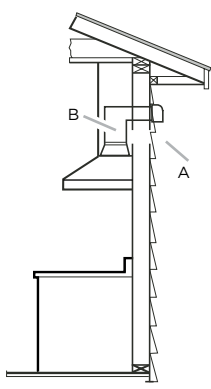
La campana está equipada con una transición redonda de 6" (15.2 cm) para descargar gases y vapor procedentes de la cocina al exterior.

Ventilación a través de techo



- A. Cubierta del techo
B. Ducto de escape redondo de 6" (15.2 cm)

Ventilación a través de pared



- A. Cubierta de la pared
B. Ducto de escape redondo de 6" (15.2 cm)

Preparación

No corte una viga o un perno a menos que sea absolutamente necesario. Si fuera necesario efectuar el corte, deberá construirse un marco de soporte.

Se suministra el material de ajuste necesario para fijar la campana a la mayoría de tipos de muro o techo.

No obstante, un técnico cualificado debe comprobar la idoneidad de los materiales de acuerdo con el tipo de muro o techo.

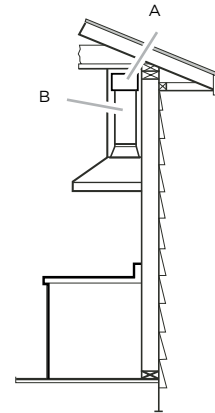
Antes de efectuar algún corte, asegúrese de que existe el espacio libre adecuado en el techo o muro para la expulsión del aire.

Sin ducto de escape (recirculante)

En caso de que no sea posible la descarga de gases y del vapor procedentes de la cocina al exterior, la campana se puede utilizar en la versión sin tubos (Recirculación).

Coloque un filtro de carbono activado y el deflector en el soporte de sujeción de la cubierta de tubo. Los gases y vapores se reciclan a través de la rejilla superior mediante un conducto conectado al cambio de sección y el cambio de sección montado en el deflector. Únicamente para esta versión: adquiere el Kit Recirculante.

Tamaño mínimo del ducto: Tubería redonda de 6" (15.2 cm).



- A. Deflector
B. Ducto de escape redondo de 6" (15.2 cm)

⚠ PRECAUCIÓN

Alturas de Instalación

| Modelos de campanas | EVL430S2, EVL436S2, EVL424SS | EVR630S2, EVR636S2, EVR630BL, EVR636BL |
|---------------------|------------------------------|--|
| Estufas de Gas | 27" (66.6 cm) | 30" (76.2 cm) |
| Estufas Eléctricas | 24" (61 cm) | 27" (66.6 cm) |

No hay una altura máxima de instalación, sin embargo, se recomienda no instalar esta campana a más de 36" (91.4 cm) sobre la superficie de cocción. Por cada pulgada (2.54 cm) superior a 36" (91.4 cm), disminuirá la eficiencia en la captura de humo y humedad, así como el desempeño de ventilación. Para uso electrodoméstico.

POR FAVOR, LEA EL MANUAL DE INSTALACIÓN PARA UNA INSTALACIÓN ESPECÍFICA. Antes de seleccionar la campana, compruebe la altura del techo y la altura máxima de la campana.

Instalación

Prepare ubicación

- Se recomienda que el sistema de ventilación sea instalado antes de que se instale la campana.
- Antes de hacer los recortes, asegúrese que haya suficiente espacio libre dentro del techo o la pared para el ducto de escape.
- Revise la altura de su techo y la altura máxima de la campana antes de seleccionarla.

- 1 Desconecte el suministro de energía.
- 2 Decida qué método de ventilación usar: a través del techo, de la pared o sin ducto.

- 3 Seleccione una superficie plana para ensamblar la campana para cocina. Cubra dicha superficie.

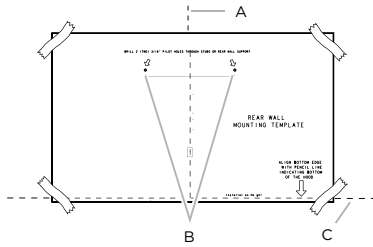
⚠ ADVERTENCIA

PARA REDUCIR RIESGO DE INCENDIO, CHOQUE ELÉCTRICO O LESIONES A PERSONAS, OBSERVE LO SIGUIENTE:

- 4 Con la ayuda de 2 ó más personas, levante la campana de cocina y colóquela en la superficie cubierta.

Instalación de los tornillos de montaje de la campana

- 1 Determine y marque la línea central en la pared en donde se instalará la campana con escudete. Desconecte el suministro de energía.
- 2 Marque una línea de referencia en la pared.
- 3 Pegue la plantilla con cinta adhesiva en su lugar, alineando la línea central y la parte inferior de la misma con la línea de la base de la campana y con la línea central marcada en la pared.

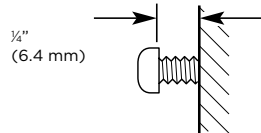


- A. Línea central
B. Ubicaciones para el ajustador
C. Referencia para la altura de montaje (línea de la base de la campana)

- 4 Marque los centros de las ubicaciones de los ajustadores a través de la plantilla en la pared.

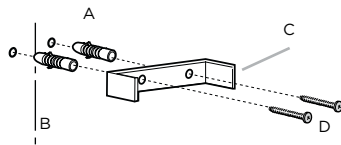
IMPORTANTE: Todos los tornillos de montaje de la campana deben instalarse en madera donde sea posible. Si no hay madera para instalar tornillos, es posible que se requieran soportes de marco de madera adicionales.

- 5 Retire la plantilla.
- 6 Taladre orificios piloto de $\frac{3}{16}$ " (4.8 mm) en todas las ubicaciones donde se vayan a instalar los tornillos en madera.
- 7 Instale los 2 tornillos de montaje de 5 x 45 mm. Deje un espacio de $\frac{1}{4}$ " (6.4 mm) entre la pared y la parte posterior de la cabeza del tornillo para deslizar la campana de cocina en su lugar.



Instalación del soporte de la cubierta del ducto

- 1 Sujete el soporte de la cubierta del ducto a la pared alineado con el techo usando 2 tornillos de 5 x 45 mm.



- A. Taquetes de 8 x 40 mm
B. Línea central
C. Soporte de la cubierta del ducto
D. Tornillos de 5 x 45 mm

Complete la operación

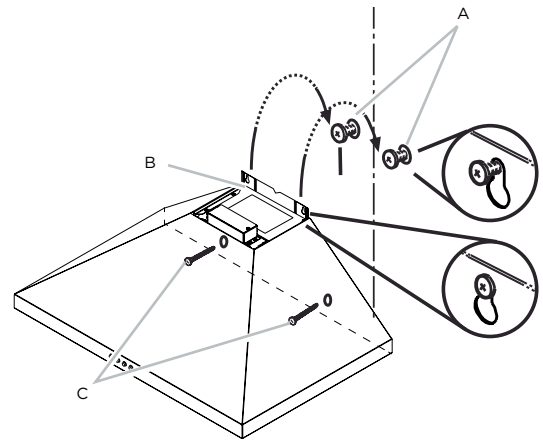
- 1 Determine y haga todos los cortes necesarios en la pared para el sistema de ventilación. Instale el sistema de ventilación antes de instalar la campana. Vea la sección "Requisitos de ventilación".
- 2 Determine la altura necesaria para el cable de suministro eléctrico de la casa y taladre un orificio de $\frac{1}{4}$ " (3.2 cm) en esa ubicación.
- 3 Haga pasar el cable de suministro de energía de la casa según las normas del National Electrical Code (Código Nacional Eléctrico) o CSA (Asociación de Normalización Canadiense) y los códigos y ordenanzas locales. Debe haber suficiente conducto de $\frac{1}{2}$ " y alambres de la caja de desconexión con fusible (o cortacircuitos) para hacer la conexión en la caja eléctrica de terminales de la campana.

NOTA: No restablezca la electricidad hasta que se complete la instalación.

- 4 Use masilla de calafateo para sellar todas las aberturas.

Instalación de la Campana

- 1 Con la ayuda de dos ó más personas, cuelgue la campana para cocina sobre 2 tornillos de montaje a través de las ranuras de montaje que están sobre la parte posterior de la campana.

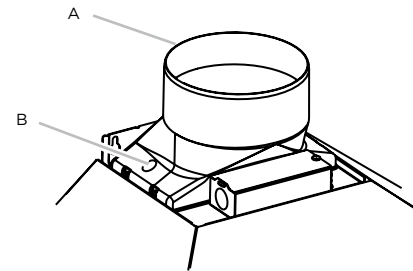


- A. Tornillos de montaje
B. Ranuras de montaje
C. Tornillos de montaje inferiores

- 2 Señale con un lápiz las ubicaciones de los agujeros inferiores.
- 3 Desinstale el ensamblaje de la campana y taladre orificios piloto de $\frac{3}{16}$ " (4.8 mm) en las ubicaciones marcadas.
- 4 Coloque de nuevo la campana de cocina en 2 tornillos de montaje superiores.
- 5 Nivele la campana para cocina y apriete los tornillos de montaje superiores.
- 6 Instale 2 tornillos de montaje inferiores de 5 x 45 mm y apriételes. Use los taquetes de pared optativos si es necesario.

Conexión del sistema de ventilación

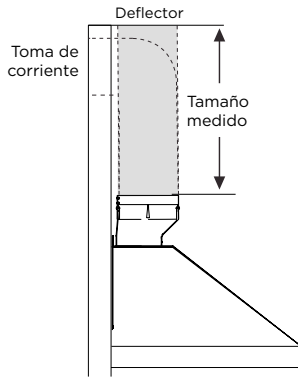
- 1 Instale la pieza de transición encima de la campana (si se ha quitado para el envío) con 2 tornillos para lámina metálica de 3.5 x 9.5 mm.



- A. Transición del ducto
B. Tornillo de 3.5 x 9.5 mm

Solamente para las instalaciones con ducto de escape:

- 1 Haga encajar el sistema del ducto de escape sobre la salida de escape.
- 2 Mida desde la parte inferior del desviador de aire hasta la parte inferior de la salida de la campana. Corte el ducto al tamaño medido.



- 3 Selle la conexión con las abrazaderas.
- 4 Verifique que las compuertas de contratiro funcionen adecuadamente.

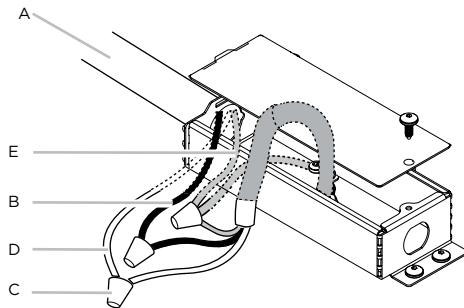
Conexión Eléctrica

| Características eléctricas (nominales) | | |
|--|----------------------|-----------|
| Modelo | EVR630BL EVR636BL | |
| Voltaje | 127 V | |
| Corriente | 3.7 A | |
| Frecuencia | 60 Hz | |
| Potencia máx. de lámparas | 2 x 2.5 W | |
| Consumo de energía | Modo de espera | 0.73 W/h |
| | Modo de operación | 467.7 W/h |

⚠ ADVERTENCIA
PELIGRO DE CHOQUE ELÉCTRICO.

⚠ ADVERTENCIA
DESCONECTE EL SUMINISTRO DE ENERGÍA ANTES DE DARLE MANTENIMIENTO.
VUELVA A COLOCAR TODOS LOS COMPONENTES Y PANELES ANTES DE HACERLO FUNCIONAR.
NO SEGUIR ESTAS INSTRUCCIONES PUEDE OCASIONAR LA MUERTE O CHOQUE ELÉCTRICO.

- 1 Desconecte el suministro de energía.
- 2 Retire la caja de terminales.
- 3 Quite el precorte removible que está en la caja de terminales e instale un protector de cables de 1/2" que esté en la lista de UL o esté aprobado por CSA.
- 4 Haga pasar el cableado de suministro de energía doméstico a través del protector de cables, dentro de la caja de terminales.



- | | |
|---|---|
| A. Cable de suministro de energía doméstico | D. Alambres blancos |
| B. Alambres negros | E. Alambres verdes (o desnudos) y amarillos - verdes de puesta a tierra |
| C. Conectores de alambres aprobados por UL | |

- 5 Use conectores de alambres que estén en la lista de UL y conecte los alambres negros (B) juntos.

- 6 Use conectores de alambres que estén en la lista de UL y conecte los alambres blancos (D) juntos.

⚠ ADVERTENCIA
PELIGRO DE CHOQUE ELÉCTRICO.

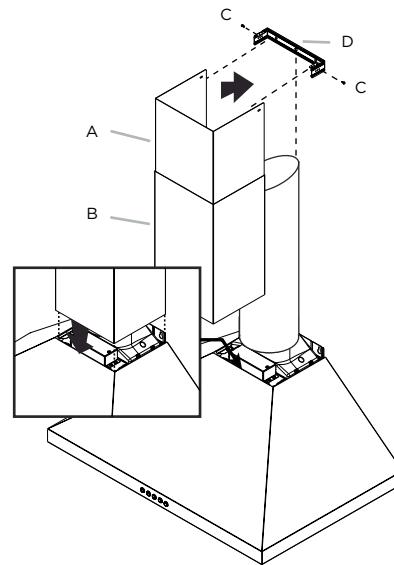
⚠ ADVERTENCIA
CONECTE EL SOPLADOR A TIERRA.
CONECTE EL ALAMBRE DE TIERRA AL ALAMBRE VERDE Y AMARILLO DE CONEXIÓN A TIERRA EN LA CAJA DE TERMINALES. NO SEGUIR ESTAS INSTRUCCIONES PUEDE OCASIONAR LA MUERTE O CHOQUE ELÉCTRICO.

- 6 Conecte el alambre verde (o desnudo) de puesta a tierra del suministro de energía doméstico al alambre amarillo - verde de puesta a tierra (E) en la caja de terminales usando conectores de alambres que estén en la lista de UL.
- 7 Apriete el tornillo del protector de cables.
- 8 Instale la cubierta de la caja de terminales.
- 9 Cerciórese de que todos los focos estén seguros en sus portalámparas.
- 10 Reconecte el suministro de energía.

Instalación de las cubiertas del ducto

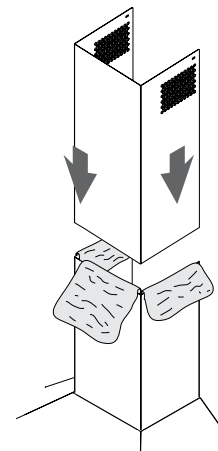
- Cuando use ambas cubiertas del ducto de escape (superior e inferior), empuje la cubierta inferior hacia abajo, sobre la campana y levante la cubierta superior hacia el techo e instale con 2 tornillos de montaje.

NOTA: Para las instalaciones con ducto de escape, la cubierta superior del ducto puede invertirse para ocultar las ranuras.



- | | |
|--------------------------------|--------------------------|
| A. Cubierta del ducto superior | C. Tornillos de 4 x 8 mm |
| B. Cubierta del ducto inferior | D. Soporte |

NOTA: Para prevenir rayaduras, coloque un papel o una toalla de cocina sobre los bordes del conducto inferior de la campana para proteger la superficie.



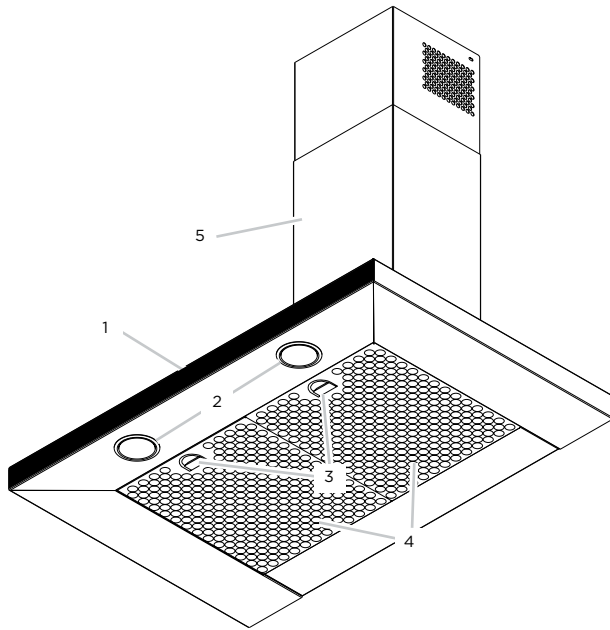
Complete la Instalación

- Solamente para las instalaciones sin ventilación (con recirculación), instale los filtros de carbón sobre el filtro de metal para grasa. Consulte la sección "Mantenimiento".
- Instale los filtros de metal.
Consulte la sección "Mantenimiento".

Para obtener un uso más eficaz de su nueva campana de cocina, lea la sección "Mantenimiento".
Para disponer de una referencia sencilla, siga la Guía de instalación, uso y mantenimiento.

Descripción de la Campana

Modelos EVR630 & EVR636



1. Panel de control
2. Lámparas LED
3. Manija de filtro de grasa
4. Filtro para grasa
5. Cubiertas del conducto

Control




1. Botón ON/OFF motor (stand by)
2. Botón de selección de velocidad (potencia de aspiración) baja - cuando ésta parpadea indica la necesidad de lavar el filtro anti-grasa.
3. Botón de selección de velocidad (potencia de aspiración) media.
4. Botón de selección de velocidad (potencia de aspiración) alta.
5. Botón de selección de velocidad (potencia de aspiración) intensiva - dura 5 minutos, después de los cuales vuelve a la velocidad (potencia de aspiración) media.
6. Botón ON/OFF luz
Presionar brevemente para encender o apagar la iluminación de la placa de cocción.
Mantener presionado para regular la intensidad de la luz.

Indicadores de Saturación de los filtros

A intervalos regulares la campana indica la necesidad de realizar el mantenimiento de los filtros.


Botón  encendido con una luz fija: realizar el mantenimiento de los filtros para la grasa.


Botón  encendido con una luz intermitente: realizar el mantenimiento del filtro de carbón activo.
Nota: La indicación de la saturación de los filtros puede verse en el primer minuto después del apagado de la campana; dentro de este arco de tiempo debe realizarse el reset de los indicadores de saturación.

Reset de los indicadores de saturación de los filtros:

Mantenga presionado el botón .

Activación indicador de saturación del filtro de carbón activo
NOTA: esta operación debe realizarse con la campana apagada. Este indicador está normalmente desactivado; mantenga

presionado el botón  para activar la función: el botón se ilumina con una luz fija.

Para desactivar la función, mantenga presionado el botón : el botón se ilumina con una luz intermitente.

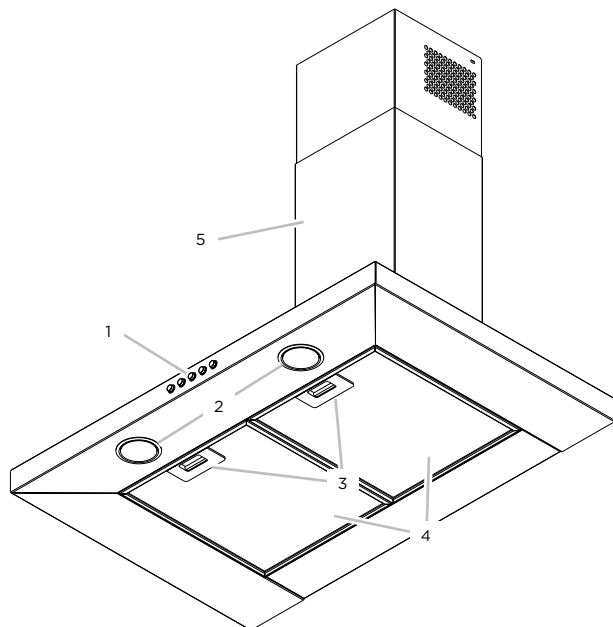
CRS Sistema de Reducción de CFM

Antes de operar su campana:

Algunos Estados y Provincias de EU & Canadá restringen el flujo máximo de aire de las campanas de cocina.
El flujo de aire es medido como pies cúbicos por minuto (CFM). Estos niveles máximos permitidos son detallados dentro del código local de su área. Cheque sus códigos locales para saber si necesita restringir el flujo máximo de escape de aire en su campana. Si su código local requiere un nivel máximo del flujo de aire menor al flujo de aire máximo de esta campana (i.e. 600 CFM), ejecute el siguiente procedimiento para reducirlo.

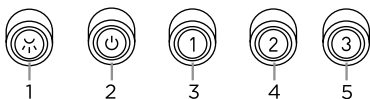


- 1 Apague el motor (OFF).
- 2 Presione los botones de ON/OFF (1) y velocidad intensiva (5) juntos por 3 segundos.
Escuchará un beep y las luces del control se encenderán por 3 segundos.
Esta acción deshabilitará las velocidades 3 y 4 y disminuirá efectivamente el máximo rendimiento a >300 CFM.
- 3 Localice el sticker certificado de CFM dentro del empaque. Adhiera el sticker en un área visible en el motor.
Este sticker proveerá una certificación oficial a su inspector local en el que se consta que el máximo poder de agotamiento de su campana extractora ha sido reducido a >300 CFM.



1. Panel de control
2. Lámparas LED
3. Manija de filtro de grasa
4. Filtro para grasa
5. Cubiertas del conducto

Control



1. Botón de encendido/apagado de la luz
2. Botón de encendido/apagado del motor
3. Botón de la velocidad mínima del motor
4. Botón de la velocidad media del motor
5. Botón de la velocidad máxima del motor

NOTA: Los botones del Panel de Control se encenderán mientras la campana esté encendida.

Funcionamiento de la luz

El botón de encendido/apagado de la luz (1) controla ambas luces. Presione una vez “encendido” y nuevamente para “apagado”.

Funcionamiento del motor

El botón de encendido/apagado del motor (2) enciende y apaga el motor. Los botones de la velocidad del motor (3, 4 y 5) establece la velocidad deseada y controla el nivel de sonido para un funcionamiento silencioso.

La velocidad puede cambiar en cualquier momento durante el funcionamiento de la campana al presionar el botón con la velocidad deseada del motor.

- 1 Para encender el motor, presione el botón de encendido/apagado del motor (2) y la velocidad deseada con los botones de velocidad (3, 4 ó 5).
- 2 Para apagar el motor, presione el botón de encendido/apagado del motor (2).

Cualquiera de los tres botones de velocidad del motor, pueden estar en la posición de “encendido” al mismo tiempo.

El motor operará la velocidad máxima que se encuentre presionada. Para velocidades menores del motor, los botones de mayor velocidad no deben estar presionados.

Mantenimiento

Limpieza

No aplique limpiadores directamente al control durante la limpieza de la campana.

La campana debe ser limpiada con frecuencia tanto externamente como internamente (con la misma frecuencia con la que se realiza el mantenimiento de los filtros de grasa). Para la limpieza, utilice un paño impregnado de detergente líquido neutro. No utilice productos que contengan abrasivos. No utilice limpiadores que contengan cloro.

¡NO UTILICE ALCOHOL!

¡ATENCIÓN!

De no observarse las instrucciones dadas para limpiar el aparato y sustituir el filtro, puede producirse un incendio.

El fabricante recomienda leerlas y respetarlas atentamente.

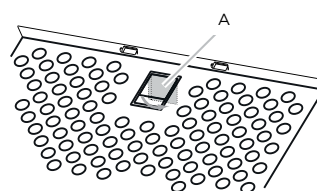
El fabricante no se hace responsable por los daños al motor o los incendios provocados en el aparato debido a intervenciones de mantenimiento incorrectas o al incumplimiento de las normas de seguridad proporcionadas.

Filtro contra la Grasa

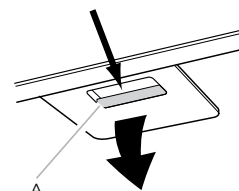
Retiene las partículas de grasa producidas cuando se cocina. Debe limpiarse una vez al mes con detergentes no agresivos, manualmente o bien en lavavajillas a bajas temperaturas y con ciclo breve. Con el lavado en el lavavajilla el filtro antigrasa metálico puede desteñirse pero sus características de filtrado no cambian absolutamente.

Para desmontar el filtro antigrasa, tirar de la manija de desenganche de muelle.

Modelos EVR630 & EVR636



Modelos EVL424, EVL430 & EVL436



A. Manija de desenganche

Reemplazo de las lámparas LED

Las luces LED son reemplazables sólo por un técnico de servicio. Vea la sección “A quién contactar” para la información de contacto del servicio.

Filtro de carbón

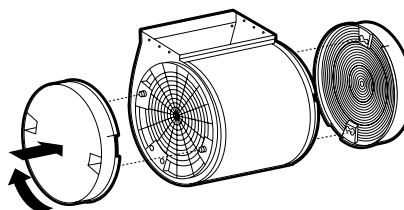
NOTA

Cuando la campana sea utilizada en modo re circulante, para reducir el riesgo de incendio y choque eléctrico use solo los accesorios con los modelos:

Kit Re circulante: KITO2766

Si el modelo no puede expulsar el aire al exterior, el aire deberá ser filtrado a través de filtros de carbón desechables que ayudan a remover el humos y los olores.

- 1 Cubra la rejilla que protege el motor del motor con el filtro de carbón, de manera que las ranuras del filtro coincidan con las espigas en los lados de la rejilla del motor.
- 2 Gire el filtro de carbón hacia la derecha para asegurarlo.
- 3 Los filtros de carbón ya no pueden ser limpiados. Deben ser reemplazados cada 4-6 meses (dependiendo de su uso).



PARA OBTENER SERVICIO DENTRO DE GARANTÍA

El propietario debe presentar su recibo original de la compra. Guarde por favor una copia de su recibo de compra como prueba, para recibir el servicio dentro del periodo de garantía.

PARTES Y GARANTÍA DE SERVICIO

Por el periodo de dos (2) años desde la fecha original de la compra, Elica proveerá, gratuitamente, partes no-consumibles o componentes que hayan fallado debido a defectos de fabricación. Durante estos dos (2) años de garantía limitada, Elica también proveerá gratuitamente, todo el servicio en casa y mano de obra necesaria para reemplazar cualquier parte defectuosa.

QUÉ NO ESTÁ CUBIERTO

- Daños o fallas del producto causados por accidente o actos de Dios, tales como inundaciones incendios o terremotos.
- Daños o fallas causadas por alteración del producto o por el uso de partes no-originales.
- Daños o fallas del producto causados durante la entrega, manejo o instalación.
- Daños o fallas del producto causados por abuso del usuario.
- Daños o fallas del producto causados por reemplazo de fusibles dañados o reseteo de interruptor de circuito.
- Daño o fallas causados por el uso del producto en un ambiente comercial (no doméstico).
- Viajes de servicio para proporcionar orientación de uso o instalación.
- Bombillas, filtros de carbón o metal y cualquier otra parte consumible.
- Desgaste normal.
- Desgaste terminal debido a abusos del usuario, mantenimiento inadecuado, uso de productos / toallas de limpieza corrosivos o abrasivos y por uso de limpiadores para hornos.

QUIÉN ESTÁ CUBIERTO

Esta garantía se extiende al comprador original de productos adquiridos para uso residencial en Norte América (incluyendo Estados Unidos, Guam, Puerto Rico, Islas Vírgenes de EU y Canadá).

Esta garantía no es transferible y aplica solamente al comprador original y no se extiende a propietarios subsecuentes del producto. Esta garantía se expresa en lugar de otras garantías, expresadas o implicadas, incluyendo, pero no limitada a ninguna garantía implicada de comercialización o adaptada para propósitos particulares y cualquier otra obligación por parte de Elica North America, considerando, sin embargo, que si la negación de garantías implícitas es inefectiva bajo la ley aplicable, la duración de cualquier garantía implícita será limitada a dos (2) años desde la fecha original de compra o por el periodo necesario como sea requerido por la ley aplicable.

Esta garantía no cubre cualquier daño especial, incidental y/o consecuente, ni pérdidas de ganancias, sufridas por el comprador original, sus clientes y/o usuarios del producto.

A QUIÉN CONTACTAR

Para obtener Servicio bajo Garantía o para cualquier pregunta relacionada a Servicio:

Favor de llamar a:

- Servicio Elica North America, llame a 1-888 732 8018
- Para el Este de Canadá, llame a Servicios AGI a 1-888 651 2534. Pregunte por el *Departamento de Servicio al Cliente*
- elica@servicepower.com

PARA OBTENER SERVICIO DENTRO DE GARANTÍA

El propietario debe presentar su recibo original de la compra. Guarde por favor una copia de su recibo de compra como prueba, para recibir el servicio dentro del periodo de garantía.

PARTES Y GARANTÍA DE SERVICIO

Por el periodo de dos (2) años desde la fecha original de la compra, Elica proveerá gratuitamente, a través de sus distribuidores, partes no-consumibles o componentes que hayan fallado debido a defectos de fabricación. Durante estos dos (2) años de garantía limitada, Elica también proveerá gratuitamente, a través de sus distribuidores, todo el servicio en casa y mano de obra necesaria para reemplazar cualquier parte defectuosa.

QUÉ NO ESTÁ CUBIERTO

- Daños o fallas del producto causados por accidente o actos de Dios, tales como inundaciones incendios o terremotos.
- Daños o fallas causadas por alteración del producto o por el uso de partes no-originales.
- Daños o fallas del producto causados durante la entrega, manejo o instalación.
- Daños o fallas del producto causados por abuso del usuario.
- Daños o fallas del producto causados por reemplazo de fusibles dañados o reseteo de interruptor de circuito.
- Daño o fallas causados por el uso del producto en un ambiente comercial (no doméstico).
- Viajes de servicio para proporcionar orientación de uso o instalación.
- Bombillas, filtros de carbón o metal y cualquier otra parte consumible.
- Desgaste normal.
- Desgaste terminal debido a abusos del usuario, mantenimiento inadecuado, uso de productos / toallas de limpieza corrosivos o abrasivos y por uso de limpiadores para hornos.

QUIÉN ESTÁ CUBIERTO

Esta garantía se extiende al comprador original de productos adquiridos para uso residencial en Latinoamérica.

Para cualquier defecto estético se tiene una garantía limitada por treinta (30) días de la fecha de compra del usuario final.

Esta garantía no es transferible y aplica solamente al comprador original y no se extiende a propietarios subsecuentes del producto. Esta garantía se expresa en lugar de otras garantías, expresadas o implicadas, incluyendo, pero no limitada a ninguna garantía implicada de comercialización o adaptada para propósitos particulares y cualquier otra obligación por parte de Elica, considerando, sin embargo, que si la negación de garantías implícitas es inefectiva bajo la ley aplicable, la duración de cualquier garantía implícita será limitada a dos (2) años desde la fecha original de compra o por el periodo necesario como sea requerido por la ley aplicable.

Esta garantía no cubre cualquier daño especial, incidental y/o consecuente, ni pérdidas de ganancias, sufridas por el comprador original, sus clientes y/o usuarios del producto.

A QUIÉN CONTACTAR

Para obtener Servicio bajo Garantía o para cualquier pregunta relacionada a Servicio:

| PAÍS | COMPAÑÍA | CONTACTO SERVICIO TÉCNICO | MAIL CONTACTO SERVICIO TÉCNICO | TELEFONO SERVICIO TÉCNICO |
|-----------|----------------------------|---------------------------|----------------------------------|---------------------------|
| MÉXICO | ARTEXA MEXICO S.A. DE C.V. | Martín Melgoza | mmelgoza@artexa.com | + 52.81.8625.5063 |
| ECUADOR | DKOCINA | Reinaldo Hidalgo | dkocina@uio.satnet.net | + 593.260.4890 |
| GUATEMALA | FERCO | Jackeline Estevez | jestevez@ferco.com.gt | + 502 421 9000 |
| HONDURAS | FERCO | Jackeline Estevez | jestevez@ferco.com.gt | + 502 421 9000 |
| SALVADOR | FERCO | Jackeline Estevez | jestevez@ferco.com.gt | + 502 421 9000 |
| BRASIL | LOFRA SUDAMERICA LTDA | Carlos Fleischfresser | carlos@lofra.com.br | + 41.3661.7006 |
| PERÚ | LÍNEA HOGAR | Flavio Figari | flavio.figari@appliancecenter.pe | + 51 1 2418055 |