

# elica

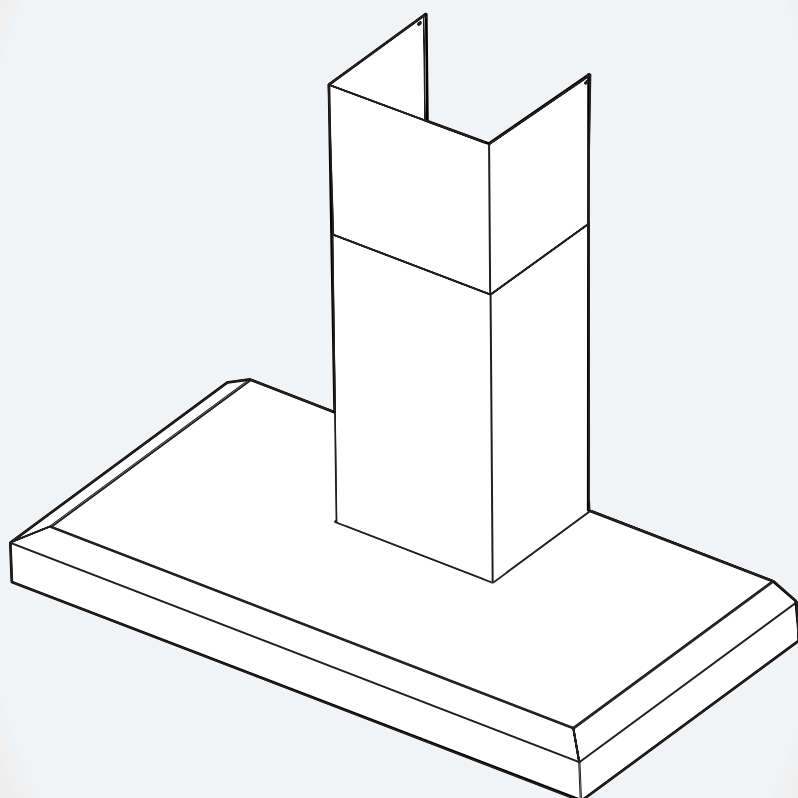
Use, Care, and  
Installation Guide

---

Guide  
d'utilisation,  
d'entretien et  
d'installation

---

Guía de  
instalación, uso y  
mantenimiento



READ AND SAVE THESE  
INSTRUCTIONS

---

LISEZ CES  
INSTRUCTIONS ET  
CONSERVEZ-LES

---

LEA Y CONSERVE  
ESTAS INSTRUCCIONES

**Models:** | EVV636S1  
| EVV648S1

LIB0143341E  
Printed in Mexico

**Contents**

Important safety notice..... 3

    Electrical & installation requirements ..... 4

    Before installing the hood ..... 4

Product dimensions ..... 4

List of materials..... 5

    Parts supplied ..... 5

    Parts not supplied ..... 5

Ducting options and examples..... 6

Installation ..... 7

    Electrical connection..... 8

    Complete the installation..... 9

Description of the hood..... 9

Control..... 10

Maintenance ..... 11

Warranty ..... 12

**APPROVED FOR RESIDENTIAL APPLIANCES  
FOR RESIDENTIAL USE ONLY  
READ AND SAVE THESE INSTRUCTIONS**

**PLEASE READ ENTIRE INSTRUCTIONS BEFORE PROCEEDING.  
INSTALLATION MUST COMPLY WITH ALL LOCAL CODES.**

**IMPORTANT:** Save these Instructions for the Local Electrical Inspector’s use.

**INSTALLER:** Please leave these Instructions with this unit for the owner.

**OWNER:** Please retain these instructions for future reference.

**Safety Warning:** Turn off power circuit at service panel and lock out panel, before wiring this appliance.

**Requirement:** 120 V AC, 60 Hz. 15 or 20 A Branch Circuit.

## ⚠ IMPORTANT SAFETY NOTICE

### ⚠ CAUTION

FOR GENERAL VENTILATING USE ONLY. DO NOT USE TO EXHAUST HAZARDOUS OR EXPLOSIVE MATERIALS ANDT VAPOURS.

### ⚠ WARNING

TO REDUCE THE RISK OF FIRE, ELECTRIC SHOCK, OR INJURY TO PERSONS, OBSERVE THE FOLLOWING:

- A. Use this unit only in the manner intended by the manufacturer. If you have questions, contact the manufacturer.
- B. Before servicing or cleaning unit, switch power off at service panel and lock service panel to prevent power from being switched on accidentally.  
When the service disconnecting means cannot be locked, securely fasten a prominent warning device, such as a tag, to the service panel.
- C. Installation work and electrical wiring must be done by qualified person(s) in accordance with all applicable codes & standards, including fire-rated construction.
- D. Sufficient air is needed for power combustion and exhausting of gases through the flue (Chimney) of fuel burning equipment to prevent back-drafting.  
Follow the heating equipment manufacturers guideline and safety standards such as those published by the national fire protection association (NFPA), the american society for heating, refrigeration and air conditioning engineers (ASHRAE), and the local code authorities.
- E. When cutting or drilling into wall or ceiling, do not damage electrical wiring and other hidden utilities.
- F. Ducted systems must always vented to the outdoors.

If provided with an electrical plug, connect the hood to a receptacle that complies with current regulations and placed in an accessible position. Where an electrical plug is not provided (direct connection to electrical network) or the plug will not be in an accessible position after installation, place an approved bipolar switch in accessible position that provides full disconnection under overvoltage category III conditions, in accordance with local wiring rules.

### ⚠ CAUTION

To reduce risk of fire and to properly exhaust air, be sure to duct air outside - do not vent exhaust air into spaces within walls, ceilings, attics, crawl spaces, or garages.

### ⚠ WARNING

TO REDUCE THE RISK OF FIRE, USE ONLY METAL DUCT WORK.

Install this hood in accordance with all requirements specified.

### ⚠ WARNING

To Reduce The Risk Of Fire Or Electric Shock, Do Not Use This Fan With Any Solid-State Speed Control Device.

### ⚠ WARNING

TO REDUCE THE RISK OF A RANGE TOP GREASE FIRE.

- a) Never leave surface units unattended at high settings. Boilovers cause smoking and greasy spillovers that may ignite. Heat oils slowly on low or medium settings.
- b) Always turn hood ON when cooking at high heat or when flambeing food (I.e. Crepes Suzette, Cherries Jubilee, Peppercorn Beef Flambe’).
- c) Clean ventilating fans frequently. Grease should not be allowed to accumulate on fan or filter.
- d) Use proper pan size. Always use cookware appropriate for the size of the surface element.

### ⚠ WARNING

TO REDUCE THE RISK OF INJURY TO PERSONS, IN THE EVENT OF A RANGE TOP GREASE FIRE, OBSERVE THE FOLLOWING:<sup>a</sup>

- a) SMOTHER FLAMES with a close-fitting lid, cookie sheet, or metal tray, then turn off the gas burner or the electric element. BE CAREFUL TO PREVENT BURNS. If the flames do not go out immediately, EVACUATE AND CALL THE FIRE DEPARTMENT.
- b) NEVER PICK UP A FLAMING PAN - you may be burned.
- c) DO NOT USE WATER, including wet dishcloths or towels - a violent steam explosion will result.
- d) Use an extinguisher ONLY if:
  - 1) You know you have a class ABC extinguisher, and you already know how to operate it.
  - 2) The fire is small and contained in the area where it started.
  - 3) The fire department is being called.
  - 4) You can fight the fire with your back to an exit.

<sup>a</sup>Based on “Kitchen Fire Safety Tips” published by NFPA.

### OPERATION

Always leave safety grills and filters in place. Without these components, operating blowers could catch onto hair, fingers and loose clothing.

The manufacturer declines all responsibility in the event of failure to observe the instructions given here for installation, maintenance and suitable use of the product. The manufacturer further declines all responsibility for injury due to negligence and the warranty of the unit automatically expires due to improper maintenance.

### ⚠ CAUTION

Automatically Operated Device - To reduce the risk of Injury disconnect from power supply before servicing.

HOOD MODEL	Integral Blower (already included with the hood)		In Line Blower Kit 1200 KIT0154387		External Blower Kit 1200 KIT0153054	
	A	W	A	W	A	W
EVV648SS	4.1	490	7.9	454	7.6	911
EVV636SS	4.1	490	7.9	454	7.6	911

# ELECTRICAL & INSTALLATION REQUIREMENTS

## IMPORTANT

Observe all governing codes and ordinances.

It is the customer's responsibility:

- To contact a qualified electrical installer.
- To assure that the electrical installation is adequate and in conformance with National Electrical Code, ANSI/NFPA 70 — latest edition\*, or CSA Standards C22.1-94, Canadian Electrical Code, Part 1 and C22.2 No.0-M91-latest edition\*\* and all local codes and ordinances.
- If codes permit and a separate ground wire is used, it is recommended that a qualified electrician determine that the ground path is adequate.
- Do not ground to a gas pipe.
- Check with a qualified electrician if you are not sure range hood is properly grounded.
- Do not have a fuse in the neutral or ground circuit.

## IMPORTANT

- Save Installation Instructions for electrical inspector's use.
- The range hood must be connected with copper wire only.
- The range hood should be connected directly to the fused disconnect (Or circuit breaker) box through metal electrical conduit.
- Wire sizes must conform to the requirements of the National Electrical Code ANSI/NFPA 70 — latest edition\*, or CSA Standards C22.1-94, Canadian Electrical Code Part 1 and C22.2 No. 0-M91 - latest edition\*\* and all local codes and ordinances.
- A U.L.- or C.S.A.-listed conduit connector must be provided at each end of the power supply conduit (at the range hood and at the junction box).

Copies of the standards listed may be obtained from:

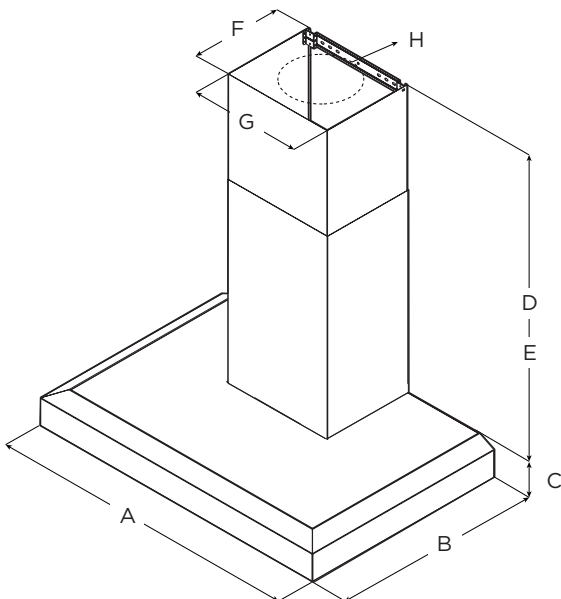
\* National Fire Protection Association Batterymarch Park Quincy, Massachusetts 02269

\*\* CSA International 8501 East Pleasant Valley Road Cleveland, Ohio 44131-5575

## BEFORE INSTALLING THE HOOD

- 1 For the most efficient air flow exhaust, use a straight run or as few elbows as possible.  
CAUTION: Vent unit to outside of building, only.
- 2 At least two people are necessary for installation.
- 3 Fittings material is provided to secure the hood to most types of walls/ceilings, consult a Qualified Installer, check if they perfectly fit with your cabinet/wall.
- 4 Do not use flex ducting.
- 5 COLD WEATHER installations should have an additional backdraft damper installed to minimize backward cold air flow and a nonmetallic thermal break to minimize conduction of outside temperatures as part of the ductwork. The damper should be on the cold air side of the thermal break.  
The break should be as close as possible to where the ducting enters the heated portion of the house.
- 6 Make up air: Local building codes may require the use of Make-Up Air Systems when using Ducted Ventilation Systems greater than specified CFM of air movement. The specified CFM varies from locale to locale. Consult your HVAC professional for specific requirements in your area.

## PRODUCT DIMENSIONS



	Models	
	EVV636SS	EVV648SS
<b>A</b>	36" (91.4 cm)	48" (122 cm)
<b>B</b>	24" (61 cm)	
<b>C</b>	5" (12.8 cm)	
<b>D</b>	Max: 54" (137 cm) Min: 30" (76.3 cm)	
<b>E*</b>	Max: 90" (229 cm) Min: 48" (122 cm)	
<b>F</b>	10 $\frac{5}{8}$ " (26.9 cm)	
<b>G</b>	13 $\frac{5}{64}$ " (33.2 cm)	
<b>H</b>	6" (15.24 cm)	

\* with Long Chimney Extension Kit

# LIST OF MATERIALS

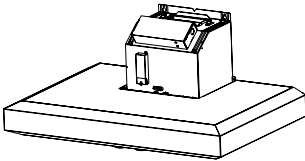


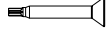
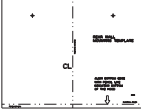
Removing the packaging.

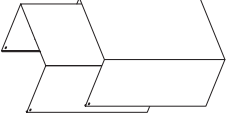
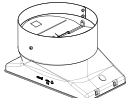
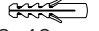


**⚠ CAUTION**

Remove carton carefully, Wear gloves to protect against sharp edges.

**⚠ WARNING**

Remove the protective film covering the product before putting into operation.

Supplied Part	Pieces
 <p>Hood assembly and LED lamps already installed</p>	1
 <p>5x45 mm</p>	6
 <p>4x8 mm</p>	8
 <p>Torx 10 adapter</p>	1
 <p>Mounting template</p>	1

Supplied Part	Pieces
 <p>Duct covers</p>	2
 <p>6" round air transition</p>	1
 <p>8x40 mm</p>	2
 <p>10x60 mm</p>	4
 <p>Duct cover bracket</p>	1

Parts no supplied

**Tools/Materials required**

- Level
- Drill
- 1/4" (3.2 cm), 3/8" (3.2 mm), and 1/2" (4.8 mm) drill bits
- Pencil
- Wire stripper or utility knife
- Tape measure or ruler
- Pliers
- Caulking gun and weatherproof caulking compound
- Jigsaw or keyhole saw
- Metal snips
- Screwdrivers:
  - Flat-blade
  - Phillips
  - Torx 10

**Parts needed**

- Home power supply cable
- 1 - 1/2" (12.7 mm) UL listed or CSA approved strain relief
- 3 UL listed wire connectors
- 1 wall or roof cap
- Metal vent system

**Optional accessories and consumable parts**

KIT	# Part
<b>Long Chimney Extension</b>	KIT0146881
<b>in Line Blower 1200 Kit</b>	KIT0154387
<b>External Blower 1200 Kit</b>	KIT0153054
<b>8" Transition Kit</b>	KIT0192759

# Ducting Options

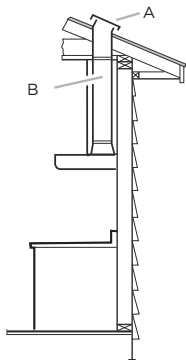
Closely follow the instructions set out in this manual. All responsibility, for any eventual inconveniences, damages or fires caused by not complying with the instructions in this manual, is declined.

## Ducting options

The hood is equipped with a round transition for discharge of fumes to the outside.

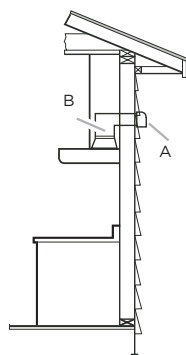
### Typical Internal Blower Motor System Venting Installations

#### Roof Venting



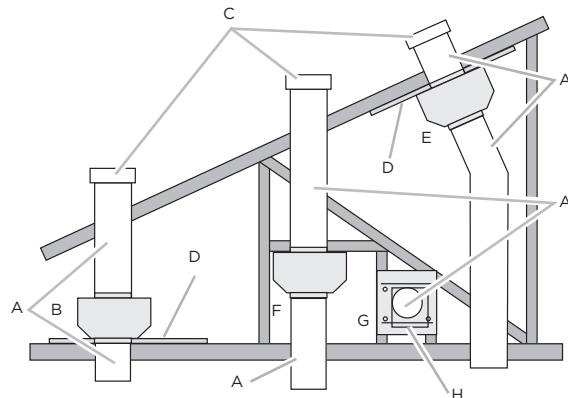
- A. Roof cap
- B. Round vent

#### Wall Venting



- A. Wall cap
- B. Round vent

### Typical In-line Blower Motor System Venting Installations



- A. Round vent
- B. Mount on top of ceiling joists.
- C. Roof caps
- D. Plywood (optional for some installations)
- E. Mount on underside of roof rafters.
- F. Mount from cross-members tied to trusses.
- G. Duct horizontal; mount to cross-members tied to trusses.
- H. Wall cap

### Preparation

Do not cut a joist or stud unless absolutely necessary. If a joist or stud must be cut, then a supporting frame must be constructed.

Fittings material is provided to secure the hood to most types of walls/ceilings.

However, a qualified technician must verify suitability of the materials in accordance with the type of wall/ceiling.

Before making cutouts, make sure there is proper clearance within the ceiling or wall for exhaust vent.

### Recommended installation height:

#### ⚠ CAUTION

For gas cooktop & range installations: Mount the hood so the bottom is at least 30" (76.2 cm) above the cooking surface.

For electric/induction cooktop & range installations: Mount the hood so the bottom is at least 24" (61 cm) above the cooking surface.

There is no maximum mounting height, however, we recommend mounting the hood no greater than 36" (91.4 cm) above the cooking surface. For every inch (2.54 cm) above 36" (91.4 cm), fume and moisture capture efficiency diminishes at an increasing rate and may not deliver an acceptable level of ventilating performance.

This hood is intended for household use.

PLEASE READ THE INSTALLATION MANUAL FOR SPECIFIC APPLICATION. Check your ceiling height and hood height before selecting your hood.

# Installation

## Prepare location

- It is recommended that the vent system be installed before hood is installed.
  - Before making cutouts, make sure there is proper clearance within the ceiling or wall for exhaust vent.
  - Check your ceiling height and the hood height maximum before you select your hood.
- 1 Disconnect power.
  - 2 Determine which venting method to use: roof, wall, or nonvented.
  - 3 Select a flat surface for assembling the range hood. Place covering over that surface.

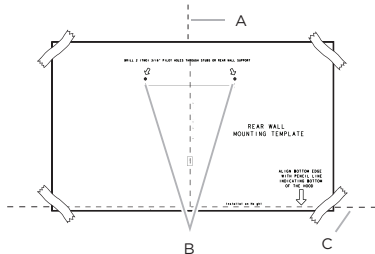
## ⚠ WARNING

TO REDUCE THE RISK OF FIRE, ELECTRIC SHOCK, OR INJURY TO PERSONS, OBSERVE THE FOLLOWING.

- 4 Using 2 or more people, lift range hood onto covered surface.

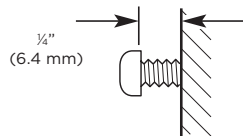
## Mounting the duct cover bracket

- 1 Determine and mark the centerline on the wall where the canopy hood will be installed. Disconnect power.
- 2 Mark a reference line on the wall.
- 3 Tape template in place, aligning the template centerline and bottom of template with hood bottom line and with the centerline marked on the wall.



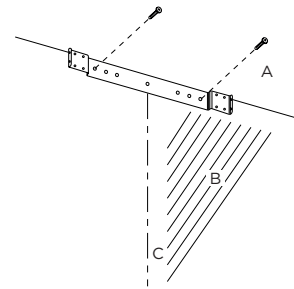
- A. Centerline
- B. Fastener locations
- C. Mounting height reference (hood bottom line)

- 4 Mark centers of the fastener locations through the template to the wall.
- IMPORTANT:** All screws must be installed into wood. If there is no wood to screw into, additional wall framing supports may be required.
- 5 Remove the template.
  - 6 Drill  $\frac{3}{16}$ " (4.8 mm) pilot holes at all locations where screws are being installed into wood.
  - 7 Install the 2 - 5 x 45 mm mounting screws. Leave a  $\frac{1}{4}$ " (6.4 mm) gap between the wall and the back of the screw head to slide range hood into place.



## Vent cover bracket installation

- 1 Attach vent cover bracket to wall flush to the ceiling using 2 - 5 x 45 mm screws.



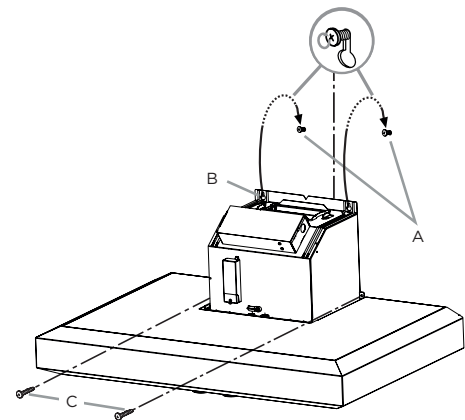
- A. Ceiling
- B. Wall
- C. Centerline

## Complete preparation

- 1 Determine and make all necessary cuts in the wall for the vent system. Install the vent system before installing the hood. See "Venting Requirements" section.
  - 2 Determine the required height for the home power supply cable and drill a  $\frac{1}{4}$ " (3.2 cm) hole at this location.
  - 3 Run the home power supply cable according to the National Electrical Code or CSA Standards and local codes and ordinances. There must be enough  $\frac{1}{2}$ " conduit and wires from the fused disconnect (or circuit breaker) box to make the connection in the hood's electrical terminal box.
- NOTE:** Do not reconnect power until installation is complete.
- 4 Use caulk to seal all openings.

# Install Range Hood

- 1 Using 2 or more people, hang range hood on 2 mounting screws through the mounting slots on back of hood.

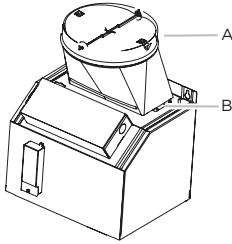


- A. Mounting screws
- B. Mounting slots
- C. Lower mounting screws

- 2 Mark with a pencil the lower mounting holes location.
- 3 Uninstall the hood assembly, and drill  $\frac{3}{16}$ " (4.8 mm) pilot holes at marked locations.
- 4 Hang the range hood again on 2 upper mounting screws.
- 5 Level the range hood and tighten upper mounting screws.
- 6 Install 2 - 5 x 45 mm lower mounting screws and tighten. Use the optional wall anchors if needed.

### Connect Vent System

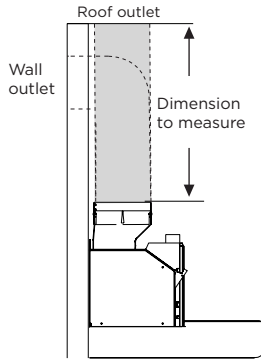
- 1 Install transition on top of hood (if removed for shipping) with 4 - 4 x 8 mm sheet metal screws.



A. Vent transition  
B. 4 x 8 mm screws

### For vented installations only:

- 1 Fit vent system over the exhaust outlet.
- 2 Measure from the bottom of the air deflector to the bottom of the hood outlet. Cut the ductwork at the measured dimension.



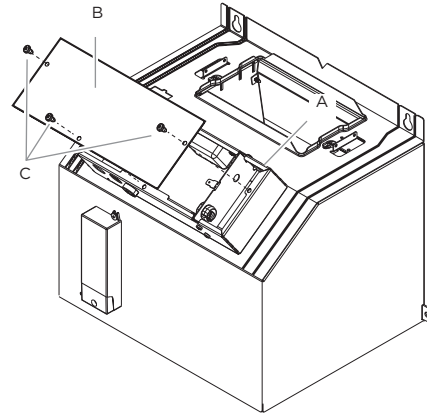
- 3 Seal connection with clamps.
- 4 Check that back draft dampers work properly.

## Electrical Connection

**⚠ WARNING**  
ELECTRICAL SHOCK HAZARD.

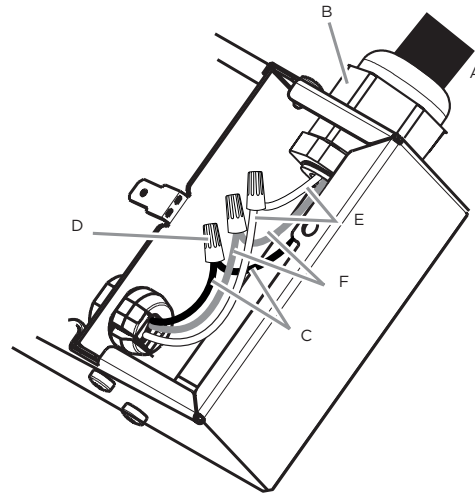
**⚠ WARNING**  
DISCONNECT POWER BEFORE SERVICING.  
REPLACE ALL PARTS AND PANELS BEFORE OPERATING.  
FAILURE TO DO SO CAN RESULT IN DEATH OR  
ELECTRICAL SHOCK.

- 1 Disconnect power.
- 2 Remove terminal box cover.
- 3 Remove the knockout in the terminal box cover and install a UL listed or CSA approved ½" strain relief.



A. Knockout  
B. Junction box cover  
C. Junction box cover screws

- 4 Run home power supply cable through strain relief, into terminal box.



A. Home power supply cable  
B. UL listed or CSA approved strain relief  
C. Black wires  
D. UL listed wire connectors  
E. White wires  
F. Green (or bare) and yellow-green ground wires

- 5 Use UL listed wire connectors and connect black wires (B) together.
- 6 Use UL listed wire connectors and connect white wires (A) together.

**⚠ WARNING**  
ELECTRICAL SHOCK HAZARD.

**⚠ WARNING**  
ELECTRICALLY GROUND BLOWER.  
CONNECT GROUND WIRE TO GREEN AND YELLOW  
GROUND WIRE IN TERMINAL BOX. FAILURE TO DO SO  
CAN RESULT IN DEATH OR ELECTRICAL SHOCK.

- 7 Connect green (or bare) ground wire from home power supply to yellow-green ground wire (D) in terminal box using UL listed wire connectors.
- 8 Tighten strain relief screw.
- 9 Install terminal box cover.
- 10 Check that all light bulbs are secure in their sockets.
- 11 Reconnect power.

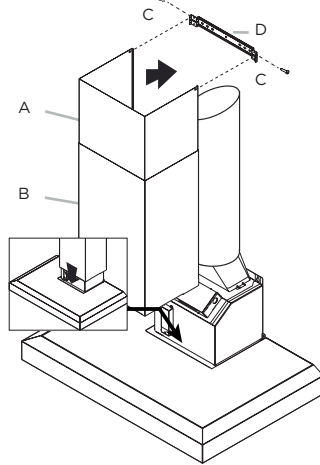


## Complete Installation

### Install duct covers

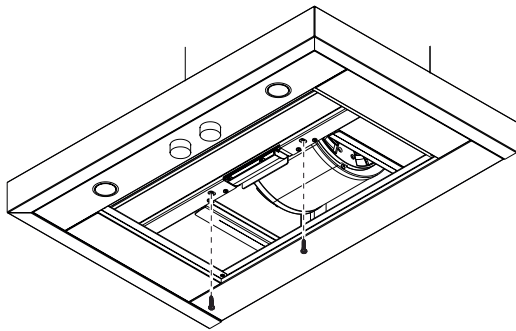
- When using both upper and lower vent covers, push lower cover down onto hood and lift upper cover to ceiling and install with two mounting screws.

**NOTE:** The upper vent cover may be reversed to hide slots.



- A. Upper vent cover
- B. Lower vent cover
- C. 4 x 8 mm screws
- D. Bracket

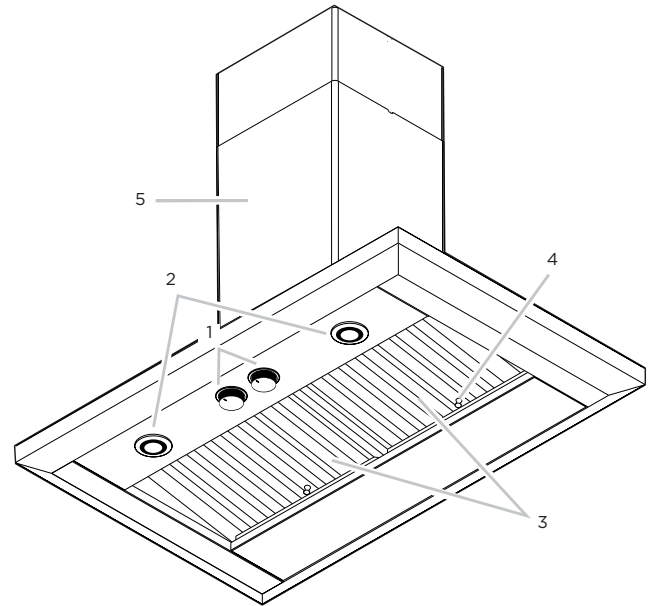
- Secure the bottom of the duct with 2 - 4 x 8 mm screws.



- Install metal filters. See the "Maintenance" section.

To get the most efficient use from your new range hood, read the "maintenance" section. Keep your Use, Care, and Installation Guide close to range hood for easy reference.

## Description of the hood



1. Blower and light controls
2. LED lights
3. Grease filter
4. Grease filter handle
5. Duct covers

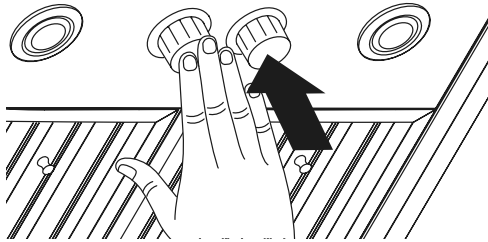
## Control

The range hood is designed to remove smoke, cooking vapors and odors from the cooktop area. For best results, start the hood before cooking and allow it to operate several minutes after the cooking is complete to clear all smoke and odors from the kitchen.

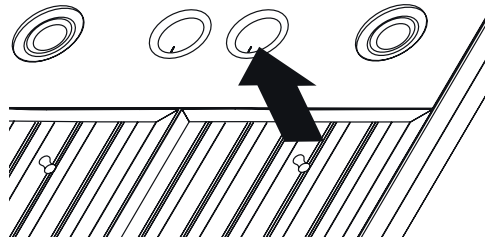
The hood controls are located on the center side of the hood.

### Recessing Knobs

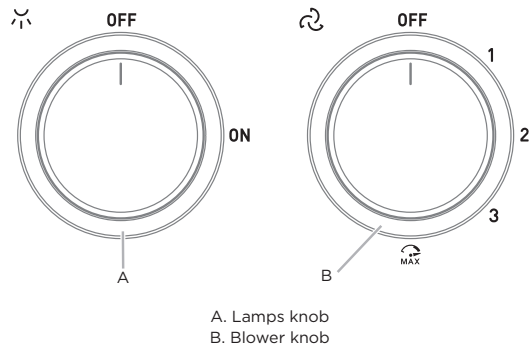
- You can hide control knobs by depressing them until flush with the hood body.



- Pressing the knobs again will lower the knobs, and enable the user to operate the lights and blower.



### Controls



### Operating the lamps

- Turn the light switch to the "ON" position to turn the range hood lights On.
- Turn the light switch to the "OFF" position to turn the range hood lights Off.

### Operating the blower

- Turn the blower switch at "1" to turn the range hood on.
- Turn the blower switch to the desired speed position.
- Turn the blower switch to the "MAX" position to turn the range hood on High.
- Turn the blower switch to the "OFF" position to turn the range hood blower Off.

### Auto On blower

The range hood is equipped with a sensor to automatically turn on the blower when excessive heat is detected in the control area. When the blower switch is in the "Off" position, this sensor will turn the blower to high speed when necessary. When the heat decreases, the blower will turn off. When the blower switch is in the On position, the heat sensor is not active and the range hood functions normally.

# Maintenance

## Cleaning

### Exterior surfaces:

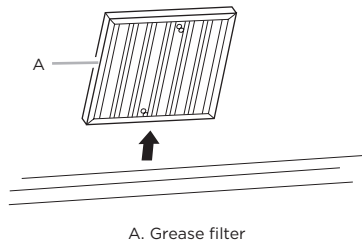
To avoid damage to the exterior surface, do not use steel wool or soap-filled scouring pads. Rub in direction of the grain line to avoid scratching the surface.

Always wipe dry to avoid water marks.

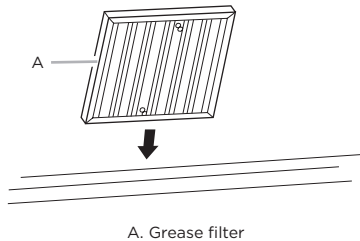
- Stainless Steel Cleaner and Polish.
- Mild liquid detergent and water.
- Wipe with damp soft cloth or nonabrasive sponge, then rinse with clean water and wipe dry.
- tw

### Metal filters:

- 1 Use 2 hands to remove filters.
- 2 Grasp filter handles, pull toward the front of range hood and pull down on the rear handle to remove. Repeat for each filter.



- 3 Wash metal filters as needed in dishwasher or hot detergent solution to clean.
- 4 Reinstall filters, grasp filter handles and place front edge of filter into the hood.
- 5 Push up on the back handle and set rear of filter into the drip tray to secure. Repeat for each filter.



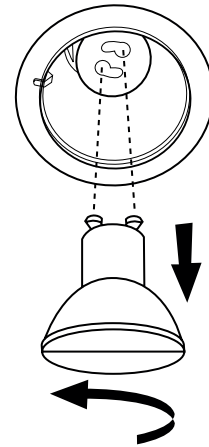
### Replacing a LED Lamp

Turn off the range hood and allow the LED lamp to cool.

To avoid damage or decreasing the life of the new lamp, do not touch lamp with bare fingers. Replace lamp, using tissue or wearing cotton gloves to handle lamp.

If new lamps do not operate, make sure the lamps are inserted correctly before calling service.

- 1 Disconnect power.
- 2 Push up on the lens and turn it counterclockwise.
- 3 Remove the lamp and replace it with a 120-volt, 7.5 W watt maximum LED lamp with a GU10 base. Turn it clockwise to lock it into place.
- 4 Repeat steps 2-3 for the other lamps if needed.
- 5 Reconnect power.



# ELICA North America

## TWO-YEAR LIMITED WARRANTY

Register your product in

**elica.com**

and earn a 3<sup>rd</sup> year of factory warranty, covering all parts plus in-home labor.

### TO OBTAIN SERVICE UNDER WARRANTY

Owner must present proof of original purchase date. Please keep a copy of your dated proof of purchase (sales slip) in order to obtain service under warranty.

### PARTS AND SERVICE WARRANTY

For the period of two (2) years from the date of the original purchase, Elica will provide free of charge, non consumable parts or components that failed due to manufacturing defects. During these two (2) years limited warranty, Elica will also provide free of charge, all labor and in-home service to replace any defective parts.

### WHAT IS NOT COVERED

- Damage or failure to the product caused by accident or act of God, such as, flood, fire or earthquake.
- Damage or failure caused by modification of the product or use of non-genuine parts.
- Damage or failure to the product caused during delivery, handling or installation.
- Damage or failure to the product caused by operator abuse.
- Damage or failure to the product caused by dwelling fuse replacement or resetting of circuit breakers.
- Damage or failure caused by use of product in a commercial application.
- Service trips to dwelling to provide use or installation guidance.
- Light bulbs, metal or carbon filters and any other consumable part.
- Normal wear of finish.
- Wear to finish due to operator abuse, improper maintenance, use of corrosive or abrasive cleaning products/pads and oven cleaner products.
- When the product has not been operated in accordance with the accompanying instructions for use.

### WHO IS COVERED

This warranty is extended to the original purchaser for products purchased for ordinary residential use in North America (Including the United States, Guam, Puerto Rico, US Virgin Islands & Canada).

This warranty is non-transferable and applies only to the original purchaser and does not extend to subsequent owners of the product. This warranty is made expressly in lieu of all other warranties, expressed or implied, including, but not limited to any implied warranty of merchantability or fitness for a particular purpose and all other obligations on the part of Elica North America, provided, however, that if the disclaimer of implied warranties is ineffective under applicable law, the duration of any implied warranty arising by operation of law shall be limited to two (2) years from the date of original purchase at retail or such longer period as may be required by applicable law.

This warranty does not cover any special, incidental and/or consequential damages, nor loss of profits, suffered by the original purchaser, its customers and/or the users of the Products.

### WHO TO CONTACT

To obtain service under warranty or for any service related question:

- **USA & CANADA - Western Provinces**  
**SERVICE POWER**  
888 732 8018  
elica@servicepower.com
- **CANADA - Ontario Province**  
**SERVICE POWER**  
888 732 8018  
elica@servicepower.com
- **CANADA - Quebec & Atlantic Provinces**  
**ELECTRO-EXPERTS**  
1 888 915 8888  
repartition@electro-experts.com

To ensure prompt after-sales service, when you call we will kindly ask you to provide the following information indicated on the nameplate inside the hood: **hood model, 12 NC and date of purchase on original invoice.** To access the nameplate, all you have to do is remove the grease filters.

**12NC:** \_\_\_\_\_

**Hood model:** \_\_\_\_\_

**Serial No:** \_\_\_\_\_

**Date of purchase on original invoice:** \_\_\_\_\_

**Table des matières**

Avis de sécurité important .....	13
Exigences électriques et d'installation .....	15
Avant d'installer la hotte .....	15
Dimensions du produit .....	15
Liste des pièces .....	16
Pièces fournies .....	16
Pièces non fournies .....	16
Méthodes d'évacuation .....	17
Installation .....	18
Connexion Électrique.....	19
Achever l'installation .....	20
Description de la hotte .....	20
Commandes .....	21
Entretien .....	22
Garantie .....	23

## APPROUVÉ POUR LES APPAREILS DE TYPE RÉSIDENTIEL POUR UNE UTILISATION RÉSIDENTIELLE SEULEMENT LISEZ CES INSTRUCTIONS ET CONSERVEZ-LES

**VEUILLEZ LIRE CES INSTRUCTIONS AU COMPLET AVANT DE COMMENCER.  
L'INSTALLATION DE L'APPAREIL DOIT RESPECTER TOUS LES CODES EN VIGUEUR.**

**IMPORTANT :** Conservez ces instructions afin de pouvoir les remettre à l'inspecteur-électricien de votre région.

**INSTALLATEUR :** Veuillez laisser ces instructions avec l'appareil pour le propriétaire.

**PROPRIÉTAIRE :** Veuillez conserver ces instructions pour pouvoir vous y référer plus tard.

**Avertissement de sécurité :** Coupez l'alimentation du circuit dans le panneau électrique et verrouillez le panneau avant de raccorder les fils de cet appareil.

**Exigence :** 120 V c.a., 60 Hz circuit de dérivation de 15 V c.a., 20 Hz, de 15 ou 20 A.

### ⚠ AVIS DE SÉCURITÉ IMPORTANT

#### ⚠ ATTENTION

UTILISER CET APPAREIL À DES FINS DE VENTILATION GÉNÉRALE SEULEMENT. NE PAS UTILISER CET APPAREIL POUR ÉVACUER DES MATÉRIAUX OU DES VAPEURS DANGEREUX OU EXPLOSIFS.

#### ⚠ AVERTISSEMENT

POUR RÉDUIRE LES RISQUES D'INCENDIE, DE CHOC ÉLECTRIQUE ET DE BLESSURE, RESPECTER LES DIRECTIVES SUIVANTES:

- Utiliser cet appareil uniquement aux fins prévues par le fabricant. Si vous avez des questions à propos de l'appareil, communiquez avec le fabricant.
- Avant de faire l'entretien de l'appareil ou de le nettoyer, coupez l'alimentation dans le panneau électrique et verrouillez le panneau en bloquant le dispositif permettant d'empêcher d'activer l'alimentation accidentellement. S'il n'est pas possible de verrouiller l'accès au panneau, fixez une étiquette très voyante au panneau électrique.
- Une personne qualifiée doit effectuer l'installation et le câblage des fils électriques en conformité avec tous les codes et toutes les normes, y compris la cote de résistance au feu.
- Il est important de prévoir suffisamment d'air pour assurer une bonne combustion de l'équipement de chauffe et l'évacuation adéquates des gaz par le conduit de cheminé afin de prévenir les refoulements d'air. Respectez les directives et les normes de sécurité des fabricants de l'équipement de chauffage, comme celles publiées par la National Fire Protection Association (NFPA), la American Society for Heating, Refrigeration and Air Conditioning Engineers (ASHRAE) et le code des autorités de votre région.
- Au moment de couper ou de percer un mur ou un plafond, assurez-vous de ne pas endommager la filerie électrique ou tout autre accès à un service publique.
- Il faut toujours évacuer à l'extérieur les systèmes conduit.

#### ⚠ ATTENTION

Pour réduire les risques d'incendie et évacuer l'air correctement, assurez-vous que le conduit mène à l'extérieur; il ne faut pas évacuer l'air dans l'espace entre les murs, dans les plafonds, dans les greniers, les vides sanitaires ou les garages.

## ⚠️ AVIS DE SÉCURITÉ IMPORTANT

### ⚠️ AVERTISSEMENT

POUR RÉDUIRE DES RISQUES D'INCENDIE, UTILISEZ UNIQUEMENT DES CONDUITS EN MÉTAL.

Installez cette hotte en respectant toutes les exigences mentionnées.

### ⚠️ AVERTISSEMENT

Pour réduire les risques d'incendie et de choc électrique, n'utilisez pas cette hotte avec un contrôleur de vitesse à semi-conducteurs.

### ⚠️ ATTENTION

Dispositif à commande automatique - pour réduire le risque de Blessure Débrancher de l'alimentation électrique avant la maintenance.

### ⚠️ AVERTISSEMENT

POUR RÉDUIRE LES RISQUES D'INCENDIE DE GRAISSE SUR LES CUISINIÈRES.

- Ne laissez jamais la cuisinière sans surveillance lorsqu'elle est réglée à une haute température. Les débordements par bouillonnement causent de la fumée et des débordements de gras qui peuvent s'enflammer. Faites chauffer l'huile lentement, à une température basse ou moyenne.
- Faites toujours fonctionner la hotte lorsque vous utilisez la cuisinière à une haute température ou que vous faites flamber des aliments (P. ex.: crêpes Suzette, cerises jubilé, boeuf au poivre flambé).
- Nettoyez les hélices de ventilation fréquemment. Il ne faut pas que la graisse s'accumule sur les filtres ou les hélices.
- Utilisez le bon format de casserole. Utilisez toujours un chaudron de taille approprié à l'élément de la cuisinière.
- Convient pour utilisation dans la zone de cuisson domestique.

Si la hotte est munie d'une fiche électrique, la raccorder à un réceptacle conforme à la réglementation en vigueur et placé en position accessible. Si la hotte n'est pas équipée d'une fiche électrique (raccordement direct au réseau électrique) ou si la fiche ne sera pas en position accessible après l'installation, placez un interrupteur bipolaire homologué en position accessible qui assure une déconnexion totale dans des conditions de surtension de catégorie III, conformément aux règles de câblage locales.

### ⚠️ AVERTISSEMENT

POUR ÉVITER DE BLESSER QUELQU'UN LORS D'UN INCENDIE DE GRAISSE SUR LA CUISINIÈRE, SUIVRE LES CONSEILS SUIVANTS:<sup>a</sup>

- ÉTOUFFER LES FLAMMES avec un couvercle aux dimensions de la taque de cuisson, une tôle à biscuit ou tout autre plateau métallique, puis couper le gaz ou l'alimentation électrique de la cuisinière. FAIRE ATTENTION A NE PAS SE BRÛLER. Si les flammes ne s'éteignent pas immédiatement, QUITTER LA PIÈCE ET APPELER LES POMPIERS.
- NE JAMAIS PRENDRE EN MAIN UNE CASSEROLE N FEU, vous pourriez vous blesser.
- NE PAS UTILISER D'EAU, y compris les essuies de vaisselle ou les serviettes humides - une violente explosion due à la vapeur formée pourrait survenir.
- Utiliser un extincteur SEULEMENT si:
  - Vous êtes sûr d'avoir un extincteur de classe ABC que vous savez utiliser.
  - Le feu est petit et confiné à la zone où il s'est formé.
  - Les pompiers ont été appelés.
  - Vous pouvez lutter contre le feu avec une sortie derrière vous.
- Les ventilateurs conduits doivent toujours être évacués vers l'extérieur.

<sup>a</sup> Recommandations tirées des conseils de sécurité en cas d'incendie de cuisine publiés par la NFPA.

### MODE OPÉRATOIRE

Toujours laisser les grilles de sécurité et les filtres à leur place. Sans la présence de ces derniers, les parties aspirantes pourraient attirer les cheveux, les doigts ou les vêtements.

Le fabricant décline toute responsabilité si les informations détaillées dans ce manuel pour l'installation, l'entretien et l'utilisation adéquate du produit ne sont pas observées. Le fabricant décline en outre toute responsabilité pour d'éventuelles blessures dues à des négligences; en outre, la garantie de l'appareil sera annulée suite à des conditions d'entretien inappropriées. Cet appareil est fabriqué pour un usage interne. Ne pas utiliser cet appareil à l'extérieur.

MODÈLE DE HOTTE	Moteur interne (inclus avec le hotte)		Kit moteur In Line 1200 KIT0154387		Kit moteur externe 1200 KIT0153054	
	A	W	A	W	A	W
EVV648SS	4.1	490	7.9	454	7.6	911
EVV636SS	4.1	490	7.9	454	7.6	911

## EXIGENCES ÉLECTRIQUES ET D'INSTALLATION

### IMPORTANT

Respectez tous les codes et les ordonnances en vigueur.

Le client a la responsabilité de :

- Contacter un électricien-installateur.
- Vérifier que l'installation électrique est adéquate et conforme avec le Code national de l'électricité, ANSI/ NFPA 70 (la plus récente édition\*), ou les normes C22.1-94, Code canadien de l'électricité, Partie 1 et C22.2 No.0-M91 (La plus récente édition\*\*) de la CSA, ainsi que tous les codes et les ordonnances de votre région.
- Si le code le permet et que vous utilisez un fil de mise à la terre distinct, il est recommandé de faire vérifier le chemin du fil par un électricien.
- Ne pas mettre l'appareil à la terre sur une conduite de gaz.
- Consultez un électricien qualifié si vous n'êtes pas certain que la hotte est mise à la terre correctement.
- N'installez pas un fusible dans le circuit neutre ou le circuit de mise à la terre.

### IMPORTANT

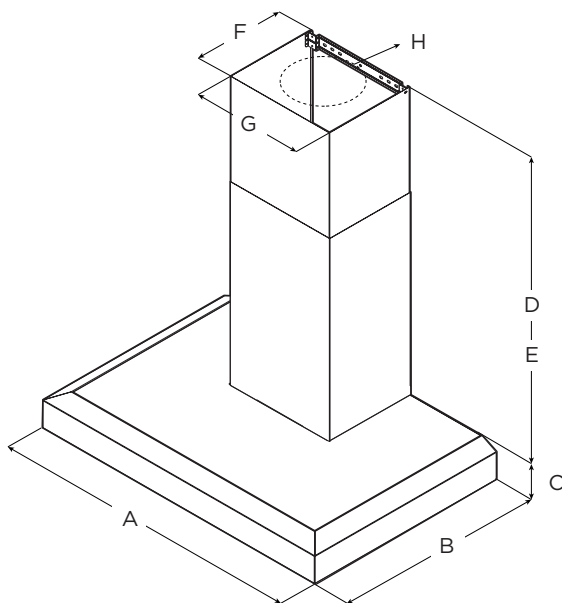
- Conservez ces instructions afin de pouvoir les remettre à l'inspecteur-électricien.
- La hotte doit être câblée uniquement à l'aide de fils de cuivre.
- Il faut raccorder la hotte directement à une boîte à fusible ou à un disjoncteur par l'entremise d'une canalisation électrique en métal.
- Le calibre de fil doit être conforme aux exigences du Code national de l'électricité, ANSI/NFPA 70 (La plus récente édition\*), ou les normes C22.1-94, Code canadien de l'électricité, Partie 1 et C22.2 0-M91 (La plus récente édition\*\*) de la CSA, ainsi que tous les codes et les ordonnances de votre région.
- Il faut prévoir un connecteur de canalisation approuvé par l'UL ou la CSA à chaque extrémité de la canalisation d'alimentation (À la hotte et à la boîte de jonction).

### AVANT D'INSTALLER LA HOTTE

- 1 Pour assurer la ventilation la plus efficace possible, installez la conduite en ligne droite ou avec le moins de coudes possibles.  
ATTENTION : La sortie de la conduite de ventilation doit donner sur l'extérieur.
- 2 Deux personnes sont nécessaires pour effectuer l'installation.
- 3 La quincaillerie fournie permet de fixer la hotte à la plupart des murs et des plafonds; consultez un installateur qualifié pour vous assurer que la quincaillerie fournie est adaptée à votre type de mur ou d'armoire.
- 4 N'utilisez pas de conduit flexible.
- 5 Dans le cas des endroits sujets aux TEMPÉRATURES FROIDES, il faut installer un clapet de contre-tirage supplémentaire afin de minimiser le retour d'air froid et un isolant thermique non métallique afin de minimiser la conduction de la température extérieur dans le conduit. Il faut placer le clapet du côté de l'air froid de l'isolant thermique.  
L'isolant doit être placé le plus près possible de l'endroit où le conduit entre dans la partie chauffée de la maison.
- 6 Air d'appoint : Le code du bâtiment de votre région peut exiger l'utilisation d'un système d'air d'appoint si vous utilisez un système de ventilation à conduit dont le mouvement d'air dépasse un certain nombre de CFM. Le nombre de pi<sup>3</sup>/min varie d'une région à l'autre. Consultez un professionnel de CVC pour connaître les exigences précises de votre région.

Vous pouvez obtenir un exemplaire des normes indiquées en vous adressant à :  
\* La National Fire Protection Association, Batterymarch Park Quincy, Massachusetts, 02269  
\*\* La CSA International, 8501 East Pleasant Valley Road, Cleveland, Ohio, 44131-5575

## DIMENSIONS DU PRODUIT



	Modèles	
	EVV636SS	EVV648SS
<b>A</b>	36" (91.4 cm)	48" (122 cm)
<b>B</b>	24" (61 cm)	
<b>C</b>	5" (12.8 cm)	
<b>D</b>	Max: 54" (137 cm) Min: 30" (76.3 cm)	
<b>E*</b>	Max: 90" (229 cm) Min: 48" (122 cm)	
<b>F</b>	10 <sup>5</sup> / <sub>16</sub> " (26.9 cm)	
<b>G</b>	13 <sup>3</sup> / <sub>4</sub> " (33.2 cm)	
<b>H</b>	6" (15.24 cm)	

\* Avec Kit d'Extension Caché Conduit

## LISTE DES PIÈCES

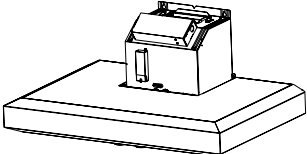


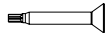
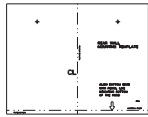
Retirer les pièces de leur emballage.

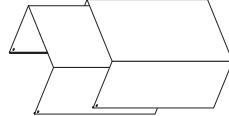
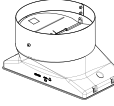
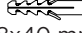


### ⚠ ATTENTION

Enlever délicatement le carton, porter des gants pour se protéger des bords coupants.

### ⚠ AVERTISSEMENT

Enlever le film de protection recouvrant le produit avant de commencer l'opération.

Pièces Fournies	Quantité
 <p>Assemblage hotte avec soufflerie et lampes DEL</p>	1
 <p>5x45 mm</p>	6
 <p>4x8 mm</p>	8
 <p>Adaptateur Torx 10</p>	1
 <p>Gabarit de montage</p>	1

Pièces Fournies	Quantité
 <p>Conduits de cheminée</p>	2
 <p>Transition ronde de 6"</p>	1
 <p>8x40 mm</p>	2
 <p>10x60 mm</p>	4
 <p>Bride de support du cache-conduit</p>	1

### Pièces non Fournies

#### Outils nécessaires

- Niveau
- Perceuse avec forets de 1¼" (3,2 cm), ⅝" (3,2 mm), y ⅞" (4,8 mm)
- Crayon
- Pince à dénuder ou couteau utilitaire
- Mètre-ruban ou règle
- Pince
- Pistolet à calfeutrage et composé de calfeutrage résistant aux intempéries
- Brides de conduit
- Scie sauteuse ou scie à guichet
- Cisaille de ferblantier
- Tournevis à lame plate, Phillips (Pozidrive)

#### Pièces nécessaires

- Câble d'alimentation domestique
- Serre-câble de ½" (12,7 mm) (homologation UL ou CSA)
- 3 connecteurs de fils homologués UL
- Bouche de décharge murale ou à travers le toit correspondant au système d'évacuation
- Système de conduit d'évacuation métallique

#### Accessoires optionnel

KIT	# Pièce
<b>Caché Conduit Extension Kit</b>	KIT0146881
<b>Kit moteur In Line 1200</b>	KIT0154387
<b>Kit moteur Externe 1200</b>	KIT0153054
<b>8" Transition Kit</b>	KIT0192759



# Méthodes d'évacuation

Suivez à la lettre les directives présentées dans ce manuel. Le fabricant refuse toute responsabilité en ce qui a trait à tout préjudice, dommage ou incendie causé par la non observation des directives contenues dans le présent manuel.

## Méthodes d'évacuation

La hotte est dotée d'une transition afin d'évacuer les vapeurs à l'extérieur.

Installations typiques avec système du moteur du ventilateur interne		Installations typiques avec système du moteur du ventilateur en ligne
Décharge à travers le toit	Décharge à travers le mur	
<p>A. Bouche de décharge sur toit B. Conduit rond</p>	<p>A. Bouche de décharge sur le mur B. Conduit rond</p>	<p>A. Conduit rond B. Fixation au dessus des solives de plafond C. Bouches de décharge par le toit D. Contreplaqué E. Fixation sur le dessous des chevrons du toit F. Fixation des traverses de cadre de châssis aux fermes G. Conduit horizontal; fixation des traverses de cadre de châssis aux fermes H. Bouche de décharge murale</p>

### Préparation

Ne coupez pas une solive ou un montant à moins qu'il soit absolument nécessaire de le faire. Si vous devez couper une solive ou un montant, vous devez construire un cadre de soutien. La quincaillerie fournie permet de fixer la hotte à la plupart des murs et des plafonds.

Vous devez cependant demander à un technicien qualifié de vérifier la solidité des matériaux selon le type de mur ou de plafond.

Avant de couper, assurez-vous qu'il y a un dégagement suffisant dans le plafond ou le mur pour passer la conduite de sortie.

### ⚠ ATTENTION

Pour l'installation des cuisinières à gaz: Installer cette hotte de sorte que le rebord inférieur est à 30" (76,2 cm) au-dessus de la surface de cuisson.

Pour l'installation des cuisinières électriques / induction: Installer cette hotte de sorte que le rebord inférieur est pas moins de 24" (61 cm) sur la surface de cuisson.

Il est recommandé d'installer cette hotte plus de 36" (91,4 cm) au-dessus de la surface de cuisson. Par pouce (2,54 cm) supérieure à 36 (91,4 cm) diminuera l'efficacité de la capture de la fumée et de l'humidité, et la performance de ventilation.

S'IL VOUS PLAÎT LIRE L'INSTALLATION POUR UNE INSTALLATION SPÉCIFIQUE. Avant de choisir la hotte, vérifiez la hauteur du plafond et la hauteur maximale de la hotte.

# Installation

## Préparation de l'emplacement

- Il est recommandé d'installer le circuit d'évacuation avant de procéder à l'installation de la hotte.
  - Avant d'exécuter les découpes, vérifier la disponibilité d'un dégagement suffisant dans le plafond ou le mur pour le conduit d'évacuation.
  - Avant d'installer la hotte, mesurer la hauteur libre sous plafond et la hauteur maximum disponible sous la hotte.
- 1 Déconnecter la source de courant électrique.
  - 2 Déterminer la méthode d'évacuation à utiliser: décharge à travers le mur ou le toit, ou recyclage.
  - 3 Sélectionner une surface plane pour l'assemblage de la hotte. Placer le matériau de protection sur cette surface.

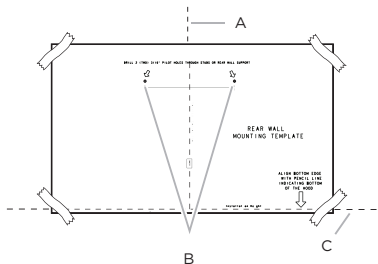
## AVERTISSEMENT

POUR RÉDUIRE LE RISQUE D'INCENDIE, CHOC ÉLECTRIQUE OU DOMMAGES CORPORELS, RESPECTER LES INSTRUCTIONS SUIVANTES:

- 4 À l'aide de deux personnes ou plus, soulever la hotte et la poser sur la surface couverte.

## Installation des vis de montage de la hotte

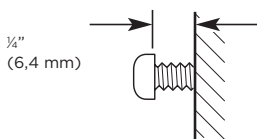
- 1 Déterminer et marquer la position de l'axe central sur le mur où la hotte sera installée.
- 2 Sélectionner une hauteur de montage comprise entre un minimum de 24" (61 cm) pour une surface de cuisson électrique, un minimum de 30" (76,2 cm) pour une surface de cuisson au gaz et un maximum suggéré de 36" (91,4 cm) entre le dessus de la cuisinière et le bas de la hotte. Marquer la ligne de repérage sur le mur.
- 3 Fixer le gabarit en place avec du ruban adhésif; aligner l'axe central du gabarit et le bas du gabarit avec la ligne correspondant au bas de la hotte, et avec l'axe central déjà tracé sur le mur.



- A. Axe central
- B. Emplacements des attaches
- C. Ligne de référence pour la hauteur de montage (bas de la hotte)

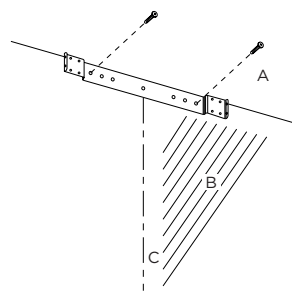
- 4 À l'aide du gabarit, marquer sur le mur le centre des attaches.
 

**IMPORTANT:** Toutes les vis de montage de la hotte en îlot doivent être vissées dans du bois où cela est possible. Si l'on ne peut pas visser les vis de montage de la hotte dans du bois, des tasseaux supplémentaires pour accrochage mural seront peut-être nécessaires.
- 5 Retirer le gabarit.
- 6 Pour bois, percer des avant-trous de  $\frac{3}{16}$ " (4,8 mm) à tous les emplacements de pose des vis dans du bois.
- 7 Pour bois, installer les 2 vis de montage de 5 x 45 mm. Laisser un espace de  $\frac{1}{4}$ " (6,4 mm) entre le mur et l'arrière de la tête de vis pour faire glisser la hotte et la mettre en place.



## Installation de la bride de cache-conduit

- 1 Fixer la bride du cache-conduit au mur en affleurement avec le plafond à l'aide de 2 vis de 5 x 45 mm.



- A. Toit
- B. Mur
- C. Axe central

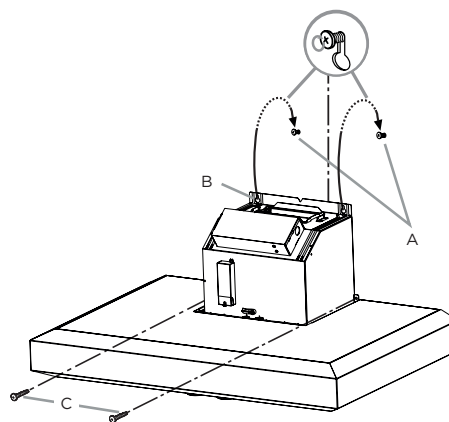
## Achever la Préparation

- 1 Déterminer et effectuer tous les découpes nécessaires dans le mur pour le passage du circuit d'évacuation. Installer le circuit d'évacuation avant la hotte. Voir la section "Exigences concernant l'évacuation".
- 2 Déterminer la hauteur appropriée pour le cordon d'alimentation du domicile et percer un trou de  $\frac{1}{4}$ " (3,2 cm) à cet endroit.
- 3 Acheminer le câble d'alimentation du domicile selon les prescriptions du Code national de l'électricité, des normes CSA et des codes et règlements locaux. Il faut que la longueur du conduit de  $\frac{1}{2}$ " et des conducteurs soit suffisante depuis le tableau de distribution (avec fusibles ou disjoncteurs) pour réaliser le raccordement dans le boîtier de connexion de la hotte.
 

**REMARQUE:** Ne pas mettre le système sous tension avant d'avoir complètement terminé l'installation.
- 4 Utiliser un calfeutrant pour assurer l'étanchéité au niveau de chaque ouverture.

## Installation de la Hotte

- 1 À deux personnes au moins, suspendre la hotte aux 2 crochets de montage, à travers les encoches de montage à l'arrière de la hotte.



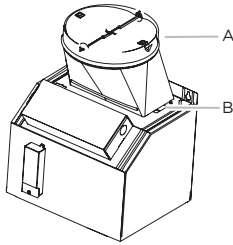
- A. Vis de montage
- B. Encoches de montage
- C. Vis de montage inférieures

- 2 Mark avec un crayon les emplacements des trous inférieurs.
- 3 Désinstaller l'ensemble de la hotte et percer des trous pilotes de  $\frac{3}{16}$ " (4,8 mm) aux emplacements marqués.

- 4 Remplacer le capot sur 2 haut les vis de montage.
- 5 Mettre la hotte de niveau et serrer les vis de montage supérieures.
- 6 Installer les 2 vis de montage de 5 x 45 mm et serrer. Utiliser les pièces d'ancrage mural facultatives si nécessaire.

#### Raccordement du circuit d'évacuation

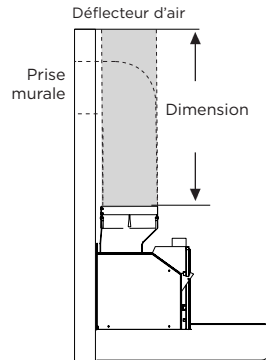
- 1 Installer le raccord de transition au sommet de la hotte (s'il a été enlevé pour expédition), avec 4 vis de 4 x 8 mm.



A. Raccord de transition  
B. Vis 4 x 8 mm

#### Pour les installations avec décharge à l'extérieur uniquement:

- 1 Le circuit d'évacuation doit être installé par dessus la sortie d'évacuation.
- 2 Mesurer la distance entre le bas du déflecteur et le bas de la sortie de la hotte. Couper le conduit à la dimension mesurée.



- 3 Serrer le raccord avec des brides de serrage.
- 4 Vérifier que les clapets anti-retour fonctionnent correctement.

## Connexion Électrique

### ⚠ AVERTISSEMENT

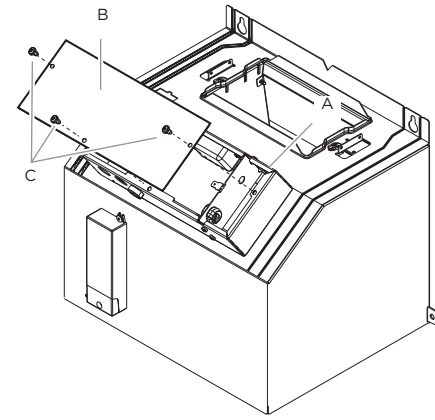
RISQUE DE CHOC ÉLECTRIQUE

### ⚠ AVERTISSEMENT

DÉCONNECTER LA SOURCE DE COURANT ÉLECTRIQUE AVANT L'ENTRETIEN.  
REPLACER PIÈCES ET PANNEAUX AVANT DE FAIRE LA REMISE EN MARCHÉ. LE NON-RESPECT DE CES INSTRUCTIONS PEUT CAUSER UN DÉCÈS OU UN CHOC ÉLECTRIQUE.

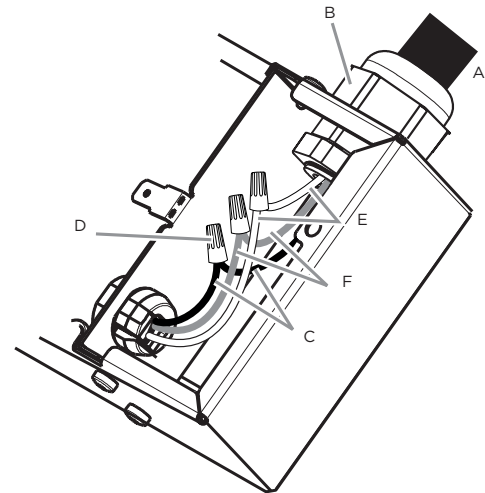
- 1 Déconnecter la source de courant électrique.
- 2 Retirer le couvercle du boîtier de connexion.

- 3 Ôter l'opercule arrachable du boîtier de connexion et installer un serre-câble de 1/2" (homologation UL ou CSA).



A. Opercule arrachable  
B. Couvercle du boîtier de connexion  
C. Vis

- 4 Acheminer le cordon d'alimentation du domicile à travers le serre-câble, dans le boîtier de connexion.



A. Câble d'alimentation électrique du domicile  
B. Serre-câble (homologation UL ou CSA)  
C. Conducteurs noirs  
D. Connecteurs de fils (homologation UL)  
E. Conducteurs blancs  
F. Conducteurs verts (ou nus) ou vert-jaune de liaison à la terre

- 5 Connecter ensemble les conducteurs noirs (C) à l'aide de connecteurs de fils (homologation UL).
- 6 Connecter ensemble les conducteurs blancs (E) à l'aide de connecteurs de fils (homologation UL).

### ⚠ AVERTISSEMENT

RISQUE DE CHOC ÉLECTRIQUE

### ⚠ AVERTISSEMENT

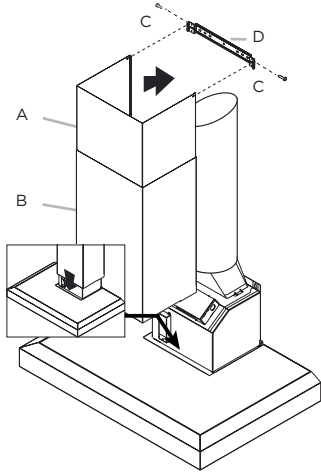
DÉCONNECTER LA SOURCE DE COURANT ÉLECTRIQUE AVANT L'ENTRETIEN. REPLACER PIÈCES ET PANNEAUX AVANT DE FAIRE LA REMISE EN MARCHÉ. LE NON-RESPECT DE CES INSTRUCTIONS PEUT CAUSER UN DÉCÈS OU UN CHOC ÉLECTRIQUE.

- 7 À l'aide des connecteurs de fils (homologation UL), connecter le conducteur de liaison à la terre (vert ou nu) du câble d'alimentation du domicile au conducteur vertjaune de liaison à la terre (F) dans le boîtier de connexion.
- 8 Serrer la vis du serre-câble.
- 9 Installer le couvercle du boîtier de connexion.
- 10 Vérifier que chaque ampoule est bien insérée dans sa douille.
- 11 Reconnecter la source de courant électrique.

## Installation des Cache-conduits

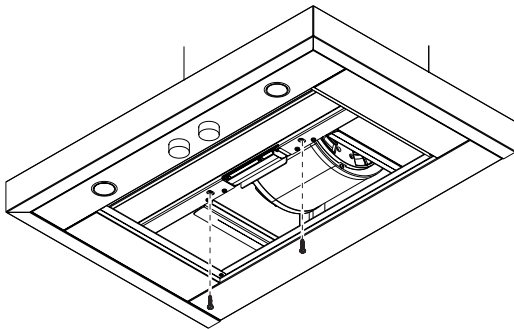
- En cas d'utilisation des sections supérieure et inférieure du cache-conduit, pousser la section inférieure vers le bas, sur la hotte et soulever la section supérieure vers le plafond et installer avec 2 vis de montage.

**REMARQUE:** Pour les installations avec décharge à l'extérieur, le cache-conduit supérieur peut être inversé pour dissimuler les fentes.

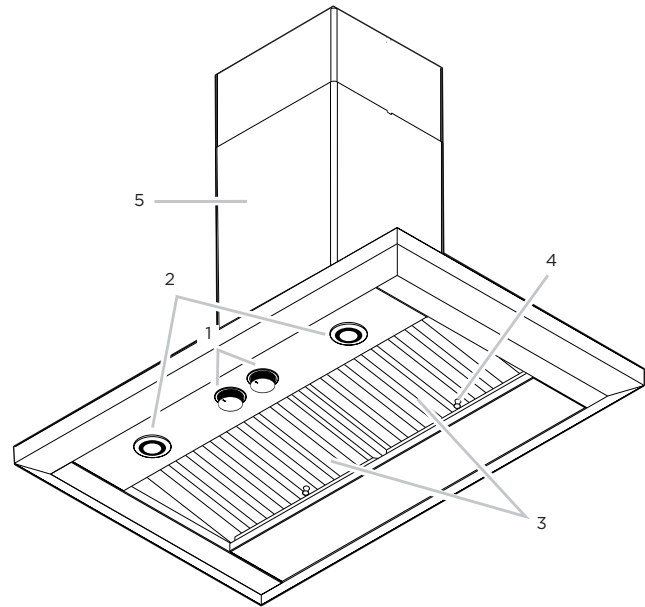


- A. Supérieure du cache-conduit  
B. Inférieure du cache-conduit  
C. Vis de 4 x 8 mm  
D. Support

- Fixer le bas du cache-conduit avec 2 vis de 4 x 8 mm.



## Description de la hotte



1. Commandes du ventilateur et lampes
2. Lampes DEL
3. Filtre à graisse
4. Poignée du filtre à graisse
5. Conduits de cheminée

## Achever l'installation

- Pour les installations sans décharge à l'extérieur (recyclage) uniquement, installer les filtres à charbon sur le filtre à graisse métallique. Voir la section "Entretien".
- Installer les filtres métalliques. Voir la section "Entretien de la hotte".

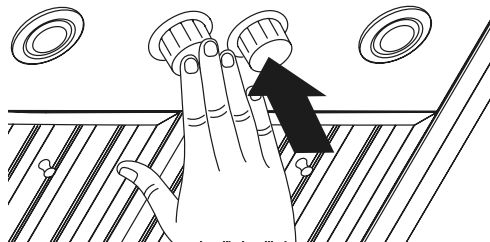
**REMARQUE:** Pour pouvoir tirer le plus grand parti de la nouvelle hotte de cuisinière, lire la section "Entretien".

## Commandes

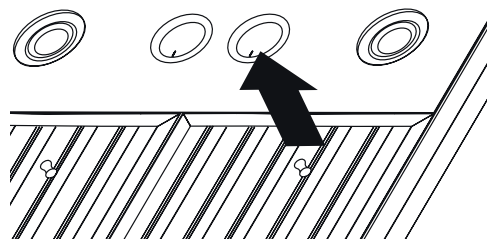
La hotte de cuisinière est conçue pour extraire fumée, vapeurs de cuisson et odeurs de la zone de la table de cuisson. Pour obtenir les meilleurs résultats, mettre le ventilateur de la hotte en marche avant d'entreprendre une cuisson, et laisser le ventilateur fonctionner pendant plusieurs minutes après l'achèvement d'une cuisson pour pouvoir évacuer de la cuisine toute trace d'odeur de cuisson, vapeur ou fumée. Les commandes de la hotte sont situées sur le côté central de la hotte.

### Cache les boutons

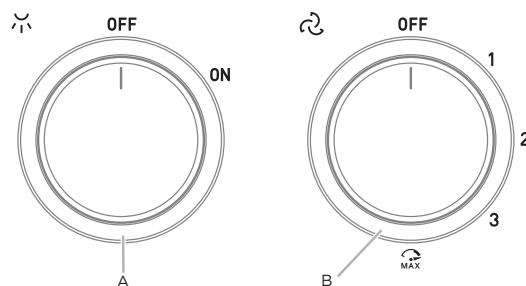
- Vous pouvez masquer les boutons de contrôle en les poussant vers le bas.



- Appuyez à nouveau pour afficher à nouveau les boutons de commande et activer les fonctions des lumières et du ventilateur.



### Commandes



A. Commutateur de lampe  
B. Commutateur de ventilateur

### Pour faire fonctionner les lampes

1. Tournez le commutateur d'éclairage sur la position "ON" pour allumer les lumières.
2. Placer le commutateur d'éclairage à la position "OFF" (arrêt) pour éteindre les lumières.

### Utilisation du ventilateur

1. Tournez le bouton du ventilateur à "1" pour allumer la hotte.
2. Tournez le commutateur du ventilateur à la position de vitesse désiré.
3. Tournez le commutateur du ventilateur à la position "MAX" pour mettre la hotte Haut.
4. Tournez le commutateur du ventilateur à la position "OFF" pour éteindre le ventilateur de la hotte.

### Activation automatique du ventilateur

La hotte de cuisine est équipée d'un capteur qui met le ventilateur automatiquement en marche lorsqu'un niveau de chaleur excessif est détecté dans la zone de commande. Lorsque le commutateur du ventilateur est à la position "Off", ce capteur met en marche le ventilateur à la vitesse élevée lorsque c'est nécessaire. Lorsque le niveau de chaleur diminue, le ventilateur s'éteint. Lorsque l'interrupteur du ventilateur est à la position "On", le capteur de chaleur est inactif et la hotte fonctionne normalement.

## Nettoyage

### Surfaces externes:

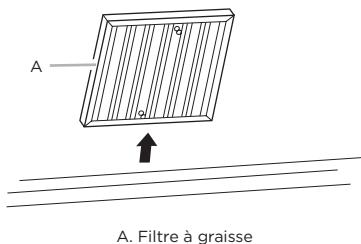
Afin d'éviter d'endommager la surface externe, ne pas utiliser de tampons en laine d'acier ou de tampons à récurer savonneux. Frotter dans la direction des lignes du grain pour ne pas détériorer la surface.

Toujours essuyer pour éviter de laisser des marques d'eau.

- Nettoyant et poli pour acier inoxydable.
- Détergent liquide doux et eau.
- Frotter avec un chiffon doux humide ou une éponge non abrasive, puis rincer avec de l'eau propre et essuyer.
- Ne pas utiliser de nettoyeurs à base de chlore.

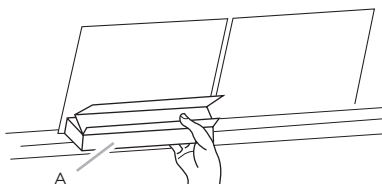
### Filtres métalliques et plateaux d'égouttement:

1. Utiliser les 2 mains pour retirer les filtres.
2. Saisir les poignées du filtre, tirer vers l'avant de la hotte et tirer sur la poignée arrière pour retirer le filtre. Répéter pour chaque filtre.



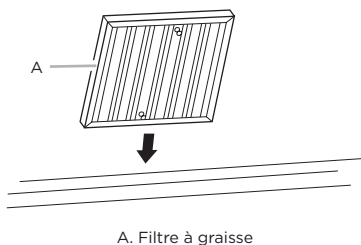
A. Filtre à graisse

3. Retirer le plateau d'égouttement à graisse.



A. Plateau d'égouttement

4. Laver les filtres métalliques et les plateaux à graisse selon le besoin au lave-vaisselle ou avec une solution de détergent chaude.
5. Réinstaller le plateau d'égouttement à graisse.
6. Réinstaller les filtres: saisir les poignées du filtre et placer le rebord avant du filtre dans la hotte.
7. Pour bien fixer le filtre, pousser vers le haut sur la poignée arrière et installer l'arrière du filtre dans la plateau d'égouttement. Répéter pour chaque filtre.



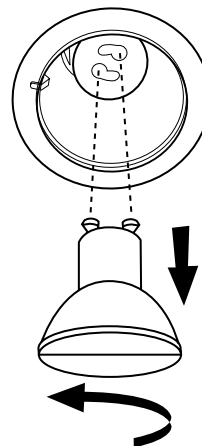
A. Filtre à graisse

## Remplacement de la lampe à DEL

Interrompre l'alimentation de la hotte; attendre le refroidissement de la lampe à DEL. Pour éviter d'endommager ou de réduire la longévité de l'ampoule neuve, ne pas toucher l'ampoule avec les doigts nus. Remplacer l'ampoule en la manipulant avec un mouchoir de papier ou des gants de coton.

Si les nouvelles lampes ne fonctionnent pas, vérifier que chaque lampe est correctement insérée dans sa douille avant de demander l'intervention d'un dépanneur.

- 1 Déconnecter la source de courant électrique.
- 2 Pousser la plaque de verre vers le haut et la tourner dans le sens antihoraire.
- 3 Retirer l'ampoule et la remplacer par une ampoule DEL de 120 volts, 7,5 watt maximum avec culot GU10. La tourner dans le sens horaire pour l'emboîter.
- 4 Répéter les étapes 2 à 3 pour les autres ampoules, si nécessaire.
- 5 Reconnecter la source de courant électrique.



# ELICA North America

**GARANTIE DE DEUX ANS**

Enregistrez votre produit sur

**elica.com**

et obtenez une 3<sup>e</sup> année de garantie, qui couvre toutes les pièces en plus de la main-d'œuvre.

## POUR OBTENIR UN DEPANNAGE SOUS GARANTIE

Le propriétaire doit présenter une preuve de la date d'achat. Garder une copie de votre preuve d'achat datée (ticket de caisse) de façon à pouvoir bénéficier du service après-vente sous garantie.

## GARANTIE PIÈCES DE RECHANGE ET MAIN D'OEUVRE

Pendant une période de deux (2) ans à partir de la date d'achat, Elica s'engage à fournir gratuitement les pièces de rechange ou les composants autres que les recharges ayant des défauts de fabrication. Durant cette garantie de deux (2) ans, Elica fournira également gratuitement, toute la main d'oeuvre et le service à domicile pour remplacer d'éventuelles pièces défectueuses.

## CE QUE LA GARANTIE NE COUVRE PAS

- Dégât ou panne du produit causé par un accident ou un cas de force majeure tels que inondation, incendie ou tremblement de terre.
- Dégât ou panne du produit causé par modification du produit ou utilisation de pièces pas d'origine.
- Dégât ou panne du produit causé lors de la livraison, de la manipulation ou de l'installation.
- Dégât ou panne du produit causé par une mauvaise utilisation.
- Dégât ou panne du produit causé par un remplacement des fusibles ou une remise en fonction des disjoncteurs par le propriétaire.
- Dégât ou panne du produit causé par une utilisation du produit pour raison commerciale.
- Déplacement à domicile pour explication d'utilisation ou d'entretien.
- Ampoules, filtres métalliques ou au charbon et toute autre pièce consommable.
- Usure normale.
- Usure due à une mauvaise utilisation du propriétaire, un entretien incorrect, une utilisation de substances nettoyantes corrosives ou abrasives et produits de nettoyage pour four.
- Lorsque le produit n'a pas été utilisé conformément aux instructions d'utilisation qui l'accompagnent.

## QUI EST COUVERT

Cette garantie s'étend à l'acheteur original de produits achetés pour un usage domestique habituel en Amérique du Nord (Y compris Etats Unis, Guam, Porto Rico, les Iles virgins Américaines & le Canada).

Cette garantie n'est pas transférable et vaut uniquement pour l'acheteur original et ne s'étend pas aux propriétaires successifs du produit. Cette garantie vaut expressément en lieu et place de toute autre garantie, expresse ou sous-entendue, mais ne limite pas toute autre garantie sous-entendue de marchandage ou adaptation dans un but particulier et toute autre obligation de la part de Elica North America, étant entendu, cependant, que si la réclamation pour garanties sous-entendues n'est pas applicable aux yeux de la loi en vigueur, la durée de toute garantie sous-entendue émanant de la loi doit être limitée à deux (2) ans à partir de la date d'achat du produit ou à une période plus longue selon ce que dit la loi en vigueur.

Cette garantie ne couvre pas tout dégât particulier, accidentel et/ou consécutif, ni les pertes et profits, à charge du propriétaire, des ses clients et/ou des utilisateurs Des produits.

## QUI CONTACTER

Pour obtenir un Service Après-vente durant la Garantie ou pour toute autre Question liée au Service Après-vente: Appeler:

- **USA & CANADA - Provinces de l'Ouest**  
**SERVICE POWER**  
888 732 8018  
elica@servicepower.com
- **CANADA - Province de l'Ontario**  
**SERVICE POWER**  
888 732 8018  
elica@servicepower.com
- **CANADA - Québec et provinces de l'Atlantique**  
**ELECTRO-EXPERTS**  
1 888 915 8888  
repartition@electro-experts.com

Pour garantir un service après-vente rapide, quand vous téléphonerez nous vous prions de bien vouloir donner les informations suivantes, qui sont indiquées sur la plaque signalétique qui se trouve à l'intérieur de la hotte: **modèle, 12 NC et date d'achat sur votre facture originale**. Pour accéder à la plaque signalétique, il vous suffit d'enlever les filtres graisse.

**12NC:** \_\_\_\_\_

**Modèle:** \_\_\_\_\_

**N° de série:** \_\_\_\_\_

**Date d'achat sur votre facture originale:** \_\_\_\_\_

**Contenido**

Aviso de seguridad importante..... 25

    Requisitos eléctricos y de instalación..... 27

    Antes de instalar la campana..... 27

Dimensiones del producto ..... 27

Lista de materiales..... 28

    Piezas suministradas ..... 28

    Piezas no suministradas ..... 28

Métodos de ventilación..... 29

Instalación..... 30

    Conexión eléctrica..... 31

    Complete la instalación..... 32

Descripción de la campana..... 33

Control..... 33

Mantenimiento..... 34

Garantía ..... 35

**APROBADO PARA APARATOS DE USO DOMÉSTICO  
SÓLO PARA USO DOMÉSTICO  
LEA Y GUARDE ESTAS INSTRUCCIONES**

**ANTES DE CONTINUAR, LEA LAS INSTRUCCIONES POR COMPLETO.  
LA INSTALACIÓN DEBE CUMPLIR TODA LA NORMATIVA LOCAL.**

**IMPORTANTE:** Guarde estas instrucciones para su uso por parte del inspector de electricidad local.

**INSTALADOR:** Entregue al propietario estas instrucciones junto con la unidad.

**PROPIETARIO:** Conserve estas instrucciones para futuras consultas.

**Advertencia de seguridad:** Antes de realizar el cableado de este aparato, desactive el circuito de energía eléctrica en el panel de servicio y desbloquee el panel.

**Requisito:** Circuito auxiliar de 120 V AC, 60 Hz. 15 ó 20 A.

CAMPANA PURIFICADORA

Marca: ELICA

Modelos: ELN630S1, ELN136S1, ELN142S1, ELN148SS

Contenido: 1 pza

Hecho en México

Fabricado por: ELICAMEX S.A. de C.V.

Dirección: Av. La Noria (Prolongación) #102 Col. Ampliación Parque Industrial Querétaro,

Santa Rosa Jáuregui, C.P. 76215 Querétaro.

R.F.C. EII060102RK8





## ⚠ AVISO DE SEGURIDAD IMPORTANTE

### ⚠ PRECAUCIÓN

SÓLO PARA USO DE VENTILACIÓN GENERAL. NO UTILIZAR PARA EXPULSAR VAPORES O MATERIALES PELIGROSOS O EXPLOSIVOS.

### ⚠ ADVERTENCIA

PARA REDUCIR EL RIESGO DE FUEGO, DESCARGA ELÉCTRICA O LESIONES PERSONALES, RESPETE LO SIGUIENTE:

- A. Utilice esta unidad solamente en el modo que indica el fabricante. En caso de duda, póngase en contacto con el fabricante.
- B. Antes de reparar o limpiar la unidad, desconecte la alimentación en el panel de servicio y bloquee los medios de desconexión del panel de servicio para evitar la conexión accidental de la alimentación. Si no es posible bloquear los medios de desconexión del panel de servicio, coloque un dispositivo de advertencia que destaque como, por ejemplo, una etiqueta, en el panel de servicio.
- C. La instalación y el cableado eléctrico deben realizarlos personas cualificadas de acuerdo con las normativas y los estándares aplicables, incluida la construcción ignífuga.
- D. Es necesaria una ventilación suficiente para la correcta combustión y expulsión de gases por la salida de humos (Chimenea) del equipo de combustión de carburante para evitar el contratiempo. Siga las directrices de fabricantes de equipos de calefacción y los estándares de seguridad como los publicados por la National Fire Protection Association (NFPA), American Society for Heating, Refrigeration and Air Conditioning Engineers (ASHRAE) y las normativas locales.
- E. Al efectuar orificios en una pared o techo, no dañe el cableado eléctrico y otras instalaciones ocultas.
- F. Los sistemas instalados mediante conducto deben tener ventilación con salida al exterior.

Si está provista de enchufe eléctrico, conecte la campana a una toma de corriente que cumpla con la normativa vigente y colocada en una posición accesible. Cuando no se disponga de enchufe eléctrico (conexión directa a la red eléctrica) o el enchufe no vaya a estar en una posición accesible después de la instalación, coloque un interruptor bipolar homologado en una posición accesible que proporcione una desconexión total en condiciones de sobretensión de categoría III, de acuerdo con las normas locales de cableado.

### ⚠ PRECAUCIÓN

Para reducir el riesgo de fuego y conseguir una salida del aire correcta, asegúrese de conducir el aire hacia el exterior. No permita que el aire se expulse en espacios situados en el interior de muros, techos, desvanes, sótanos de pequeña altura o garajes.

### ⚠ ADVERTENCIA

PARA REDUCIR EL RIESGO DE FUEGO, UTILICE SOLAMENTE TUBOS METÁLICOS. Instale esta campana de acuerdo con los requisitos especificados.

### ⚠ ADVERTENCIA

Para reducir el riesgo de fuego o descarga eléctrica, no utilice esta campana con ningún dispositivo externo en estado sólido para el control de la velocidad.

### ⚠ ADVERTENCIA

La mala colocación de los tornillos o artefactos de montaje o sujeción de acuerdo a estas instrucciones puede traer consigo peligros eléctricos.

### ⚠ ADVERTENCIA

PARA REDUCIR EL RIESGO DE INCENDIO OCASIONADO POR GRASA:

- a) No deje nunca ninguna unidad externa desatendida y con valores de fuego altos. La cocción puede causar humo o reboses de grasa que pueden prender fuego. Caliente el aceite a fuego lento o medio.
- b) Encienda siempre la campana cuando cocine a una temperatura alta o cuando realice flameados (por ejemplo, Crepas Suzette, cerezas flameadas, ternera a la pimienta flameada).
- c) Limpie con frecuencia los ventiladores. No permita que la grasa se acumule en el ventilador o filtro.
- d) Utilice un tamaño de sartén adecuado. Utilice siempre piezas de batería de cocina adecuadas al tamaño del elemento de superficie.

### ⚠ ADVERTENCIA

PARA REDUCIR EL RIESGO DE LESIONES PERSONALES, EN CASO DE FUEGO OCASIONADO POR GRASA, TENGA EN CUENTA LO SIGUIENTE:<sup>a</sup>

- a) **EXTINGA LAS LLAMAS** con una tapa ajustada, una lámina para hacer galletas u otro tipo de bandeja metálica y apague el quemador de gas o elemento eléctrico. **TENGA CUIDADO PARA EVITAR QUEMADURAS.** Si las llamas no se extinguen inmediatamente, **DESALOJE EL LUGAR Y LLAME A LOS BOMBEROS.**
- b) **NUNCA TOME UNA SARTÉN EN LLAMAS**, podría sufrir quemaduras.
- c) **NO UTILICE AGUA**, incluidas bayetas o toallas húmedas ya que se produciría una violenta explosión de vapor.
- d) Utilice un extintor **SÓLO** si:
  - 1) Sabe que dispone de un extintor de la clase ABC y conoce su funcionamiento.
  - 2) El fuego es pequeño y se encuentra en la misma zona donde se inició.
  - 3) Ha llamado a los bomberos.
  - 4) Puede luchar contra el fuego teniendo una salida a su espalda.

<sup>a</sup>Basado en "Consejos de seguridad para fuegos de cocina" publicado por NFPA.

### ⚠ PRECAUCIÓN

Equipo operado automáticamente - para reducir el riesgo de lastimarse desconecte de la línea antes de dar servicio.

### ⚠ PRECAUCIÓN

Las partes accesibles pueden calentarse cuando se utilizan los aparatos de cocción.

### FUNCIONAMIENTO

Coloque siempre las rejillas y los filtros de seguridad en su lugar correspondiente. Sin estos componentes, los ventiladores en funcionamiento podrían atrapar su pelo, sus dedos o su ropa.

El fabricante declina toda responsabilidad en caso de fallo de cumplimiento de las instrucciones aquí facilitadas para la instalación, el mantenimiento y el uso adecuado del producto. El fabricante declina además toda responsabilidad por daños ocasionados por negligencia y la garantía de la unidad queda cancelada automáticamente como consecuencia de un mantenimiento incorrecto.

### ⚠ PRECAUCIÓN

Equipo operado automáticamente - para reducir el riesgo de lastimarse desconecte de la línea antes de dar servicio.

## ⚠ AVISO DE SEGURIDAD IMPORTANTE

MODELO DE CAMPANA	Motor Interno (incluido con la campana)		Kit de motor In Line 1200 KIT0154387		Kit de motor Externo 1200 KIT0153054	
	A	W	A	W	A	W
ELN630S1	4.1	490	7.9	454	7.6	911
ELN136S1	4.1	490	7.9	454	7.6	911

- Electrodoméstico diseñado exclusivamente para su uso en interiores.
- Limpie la unidad de acuerdo a las instrucciones descritas en este manual para evitar riesgo de incendio.
- En caso de que su cordón de alimentación llegase a sufrir un daño parcial o total no trate de repararlo. Acuda al centro de servicio marcado en su garantía o bien con un técnico especialista para su sustitución.
- Es necesario que haya suficiente aire para la adecuada combustión y ventilación de gases a través del conducto (la chimenea) del equipo que consume combustible, para evitar que ocurra contratiro. Siga la guía y los estándares de seguridad del fabricante del equipo de calefacción.
- El aire de descarga no debe enviarse a través de un conducto que se utilice para evacuar los humos de los aparatos que consumen gas u otros combustibles.
- Cuando corte o taladre en una pared o techo, no dañe el cableado ni otros servicios públicos.
- Los ventiladores con conductos siempre deben dar salida al aire hacia el exterior.  
**NOTA:** Sólo para versión Aspirante.
- Para usarse solamente en ventilación común. No lo utilice para ventilar materiales y vapores peligrosos o explosivos.
- Sólo use conductos metálicos.
- Deben de cumplirse las regulaciones que se relacionen con la evaluación de la descarga de aire

### RECOMENDACIONES GENERALES

- Nunca deje las unidades de superficie sin vigilancia cuando estén en ajustes altos. Los derrames por hervor causan salpicaduras grasosas y humeantes, las cuales pueden encenderse. Caliente los aceites lentamente y con ajustes bajos o medios.
- Siempre ENCIENDA LA CAMPANA cuando cocine.
- Limpie los filtros anti-grasa con frecuencia (al menos cada 2 meses). No permita que se acumule la grasa en el filtro. Aplica para filtros de aluminio.
- Se recomienda cambiar los filtros de carbón cada 6 meses.
- No flamear alimentos bajo la campana de cocina.
- Use cacerolas del tamaño adecuado. Siempre use utensilios de cocción que sean los adecuados para el tamaño del elemento de la superficie.
- Este aparato no se destina para utilizarse por personas (incluyendo niños) cuyas capacidades físicas, sensoriales o mentales sean diferentes o estén reducidas o carezcan de experiencia o conocimiento a menos que dichas personas reciban supervisión o capacitación del funcionamiento del aparato por una persona responsable de su seguridad.
- Los niños deben supervisarse para asegurar que ellos no empleen los aparatos como juguete.
- No use el ventilador de la campana con ningún dispositivo semiconductor para el control de la velocidad.

## REQUISITOS ELÉCTRICOS Y DE INSTALACIÓN

### IMPORTANTE

Cumpla todas las normativas y ordenanzas gubernamentales. Es responsabilidad del cliente:

- Ponerse en contacto con un instalador eléctrico cualificado.
- Asegurarse de que la instalación eléctrica es adecuada y en conformidad con National Electrical Code, ANSI/NFPA 70 (última edición\*) o CSA Standards C22.1-94, Canadian Electrical Code, Parte 1 y C22.2 No.0-M91 (última edición\*) y toda la normativa y las ordenanzas locales.
- Si la normativa lo permite y se utiliza un cable de toma a tierra independiente, se recomienda que un electricista cualificado determine si la difracción de onda de tierra es la adecuada.
- No ubique la toma a tierra en una tubería de gas.
- Si no está seguro de que la campana está correctamente conectada a tierra, consulte a un electricista cualificado.
- No coloque ningún fusible en el circuito neutral o con vuelta por tierra.

### IMPORTANTE

- Guarde las instrucciones de instalación para su uso por parte del inspector de electricidad.
- La campana debe estar conectada únicamente con hilo de cobre.
- La campana debe estar conectada directamente al desconectador con fusible (o disyuntor) mediante canal metálico de cables eléctricos.
- Los tamaños de cable deben cumplir los requisitos de la National Electrical Code, ANSI/NFPA 70 (última edición\*) o CSA Standards C22.1-94, Canadian Electrical Code, Parte 1 y C22.2 No.0-M91 (última edición\*) y toda la normativa y las ordenanzas locales.

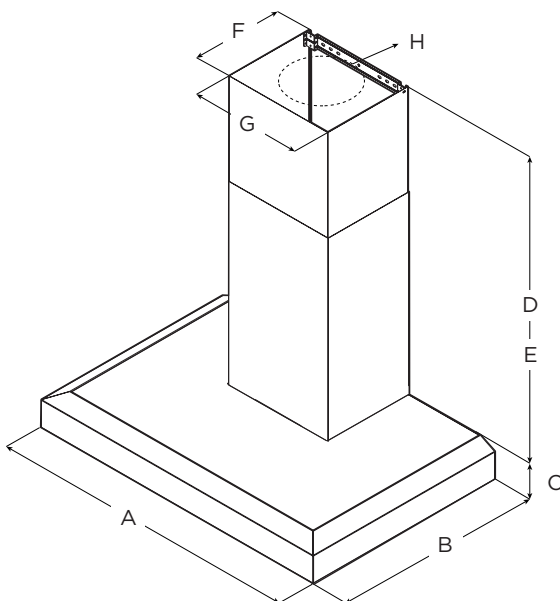
- Es preciso colocar un conector de canal de cables enumerado en U.L. o C.S.A. en cada extremo del canal de cables de fuente de alimentación (en la campana y en la caja de conexiones).

Se pueden obtener copias de los estándares enumerados en:  
 \* National Fire Protection Association Batterymarch Park Quincy, Massachusetts 02269  
 \*\* CSA International 8501 East Pleasant Valley Road Cleveland, Ohio 44131-5575

### ANTES DE INSTALAR LA CAMPANA

- 1 Para obtener una circulación del flujo de aire más eficaz, utilice un tubo de tramo recto o el menor número posible de tubos acodados.  
**PRECAUCIÓN:** el conducto de ventilación solamente debe tener salida hacia la parte exterior del edificio.
- 2 Para realizar la instalación, se necesitan al menos dos personas.
- 3 La campana se ajusta mediante material adecuados para la mayoría de superficies; consulte a un instalador cualificado para comprobar si quedan perfectamente ajustados al armario o a la pared.  
 No emplee tubos flexibles.
- 4 Las instalaciones en CONDICIONES CLIMÁTICAS FRÍAS deben tener instalado un regulador de contratiro adicional para minimizar el flujo de aire inverso y una rotura térmica no metálica para minimizar la conducción de temperaturas externas como parte de los tubos. El regulador debe encontrarse en la parte de aire frío de la rotura térmica. La rotura debe estar lo más cerca posible al lugar donde los tubos entran en la parte caliente de la casa.
- 5 Aire limpio: Las normativas locales para edificios pueden requerir el uso de sistemas de aire limpio cuando se utilizan sistemas de ventilación mediante tubos superiores al CFM especificado de movimiento de aire.
- 6 El CFM especificado varía de una zona a otra.  
 Para conocer los requisitos específicos de su zona, consulte a un profesional de HVAC.

## DIMENSIONES DEL PRODUCTO



	Modelos	
	EVV636SS	EVV648SS
<b>A</b>	36" (91.4 cm)	48" (122 cm)
<b>B</b>	24" (61 cm)	
<b>C</b>	5" (12.8 cm)	
<b>D</b>	Max: 54" (137 cm) Min: 30" (76.3 cm)	
<b>E*</b>	Max: 90" (229 cm) Min: 48" (122 cm)	
<b>F</b>	10 <sup>5</sup> / <sub>8</sub> " (26.9 cm)	
<b>G</b>	13 <sup>3</sup> / <sub>4</sub> " (33.2 cm)	
<b>H</b>	6" (15.24 cm)	

\* Con el Kit de Extensión de Chimenea.

## LISTA DE MATERIALES

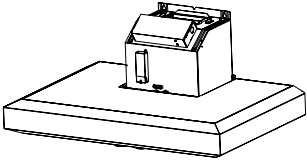
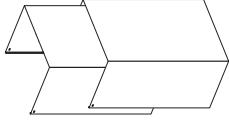
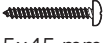
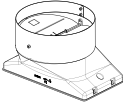

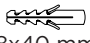
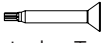

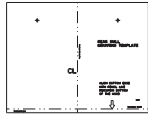

Remoción de la confección.

### ⚠ PRECAUCIÓN

Quite la caja cuidadosamente, use guantes para protegerse contra los bordes afilados.

### ⚠ ADVERTENCIA

Quite la película de protección que cubre el producto antes de ponerlo en funcionamiento.

Piezas suministradas	Piezas	Piezas suministradas	Piezas
 <p>Campana y lámparas LED previamente instaladas</p>	1	 <p>Cubiertas del conducto</p>	2
 <p>5x45 mm</p>	6	 <p>Transición redonda de 6"</p>	1
 <p>4x8 mm</p>	8	 <p>8x40 mm</p>	2
 <p>adaptador Torx 10</p>	1	 <p>10x60 mm</p>	4
 <p>Plantilla de montaje</p>	1	 <p>Soporte de la cubierta del ducto</p>	1

### Piezas no suministradas

#### Herramientas/Materiales necesarios

- Nivel
- Taladro con brocas de 1¼" (3.2 cm), ½" (3.2 mm) y ¼" (4.8 mm)
- Lápiz
- Pelacables o cuchillo de uso general
- Cinta de medir o regla
- Pinzas
- Pistola para calafateo y masilla para calafateo a prueba de agua
- Abrazaderas para ducto de ventilación
- Sierra de vaivén o sierra caladora
- Tijeras de hojalatero
- Destornilladores:
  - Phillips
  - De hoja plana

#### Partes necesarias

- Cable de alimentación eléctrica
- 1 conducto de cable de ½" (12.7 mm) aprobado por UL o CSA
- 3 conectores de cables aprobados por UL
- 1 boquilla para pared o techo
- Ducto metálico

#### Accesorios opcionales

KIT	# Pieza
<b>Extension de Cubre ductos</b>	KIT0146881
<b>Kit Motor in Line 1200</b>	KIT0154387
<b>Kit Motor Externo 1200</b>	KIT0153054
<b>Kit Transición de 8"</b>	KIT0192759

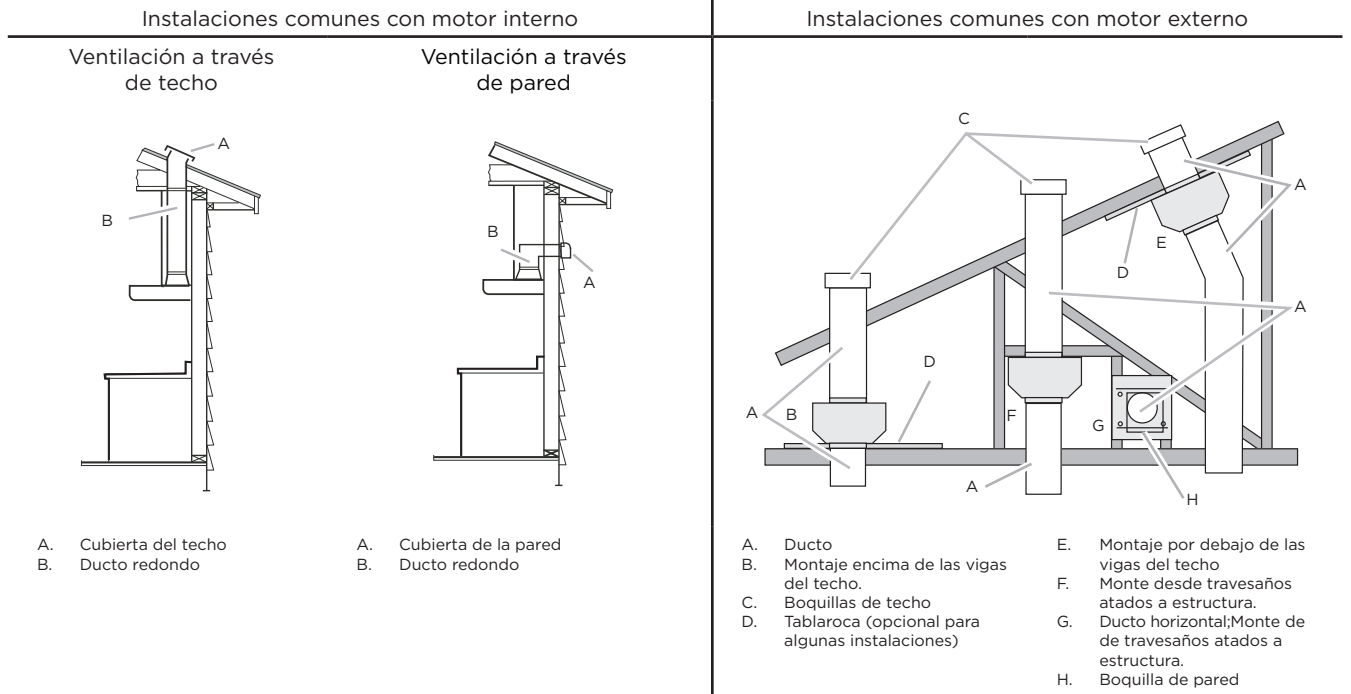
# Métodos de ventilación

Siga detenidamente las instrucciones expuestas en este manual.

Se declina toda responsabilidad de cualquier inconveniencia, daños o incendios eventuales ocasionados por el incumplimiento de las instrucciones de este manual.

## Opciones de Ventilación

La campana está equipada con una transición redonda para descargar gases y vapor procedentes de la cocina al exterior.



### Preparación

No corte una vigueta o un perno a menos que sea absolutamente necesario. Si fuera necesario efectuar el corte, deberá construirse un marco de soporte.

Se suministra el material de ajuste necesario para fijar la campana a la mayoría de tipos de muro o techo.

No obstante, un técnico cualificado debe comprobar la idoneidad de los materiales de acuerdo con el tipo de muro o techo.

Antes de efectuar algún corte, asegúrese de que existe el espacio libre adecuado en el techo o muro para la expulsión del aire.

### ⚠ PRECAUCIÓN

Para la instalación de estufas de gas: instale esta campana de tal manera que la cornisa inferior se encuentre a 30" (76.2 cm) sobre la superficie de cocción.

Para la instalación de estufas eléctricas/inducción: instale esta

campana de tal manera que la cornisa inferior se encuentre a no menos de 24" (61 cm) sobre la superficie de cocción.

No hay una altura máxima de instalación, sin embargo, se recomienda no instalar esta campana a más de 36" (91.4 cm) sobre la superficie de cocción. Por cada pulgada (2.54 cm) superior a 36" (91.4 cm), disminuirá la eficiencia en la captura de humo y humedad, así como el desempeño de ventilación.

Para uso electrodoméstico.

**POR FAVOR, LEA EL MANUAL DE INSTALACIÓN PARA UNA INSTALACIÓN ESPECÍFICA.** Antes de seleccionar la campana, compruebe la altura del techo y la altura máxima de la campana.

# Instalación

## Prepare ubicación

- Se recomienda que el sistema de ventilación sea instalado antes de que se instale la campana.
  - Antes de hacer los recortes, asegúrese que haya suficiente espacio libre dentro del techo o la pared para el ducto de escape.
  - Revise la altura de su techo y la altura máxima de la campana antes de seleccionarla.
- 1 Desconecte el suministro de energía.
  - 2 Decida qué método de ventilación usar: a través del techo, de la pared o sin ducto.
  - 3 Seleccione una superficie plana para ensamblar la campana para cocina. Cubra dicha superficie.

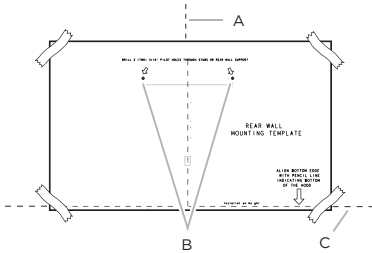
## ⚠ ADVERTENCIA

PARA REDUCIR RIESGO DE INCENDIO, CHOQUE ELÉCTRICO O LESIONES A PERSONAS, OBSERVE LO SIGUIENTE:

- 4 Con la ayuda de 2 ó más personas, levante la campana de cocina y colóquela en la superficie cubierta.

## Instalación de los tornillos de montaje de la campana

- 1 Determine y marque la línea central en la pared en donde se instalará la campana con escudete. Desconecte el suministro de energía.
- 2 Marque una línea de referencia en la pared.
- 3 Pegue la plantilla con cinta adhesiva en su lugar, alineando la línea central y la parte inferior de la misma con la línea de la base de la campana y con la línea central marcada en la pared.

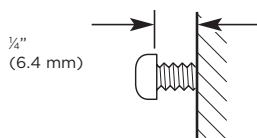


- A. Línea central
- B. Ubicaciones para el ajustador
- C. Referencia para la altura de montaje (línea de la base de la campana)

- 4 Marque los centros de las ubicaciones de los ajustadores a través de la plantilla en la pared.

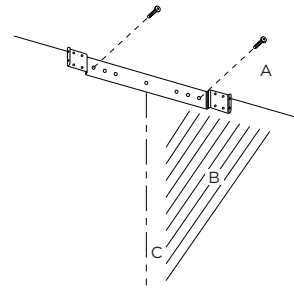
**IMPORTANTE:** Todos los tornillos de montaje de la campana deben instalarse en madera donde sea posible. Si no hay madera para instalar tornillos, es posible que se requieran soportes de marco de madera adicionales.

- 5 Retire la plantilla.
- 6 Taladre orificios piloto de  $\frac{3}{16}$ " (4.8 mm) en todas las ubicaciones donde se vayan a instalar los tornillos en madera.
- 7 Instale los 2 tornillos de montaje de 5 x 45 mm. Deje un espacio de  $\frac{1}{4}$ " (6.4 mm) entre la pared y la parte posterior de la cabeza del tornillo para deslizar la campana de cocina en su lugar.



## Instalación del soporte de la cubierta del ducto

- 1 Sujete el soporte de la cubierta del ducto a la pared alineado con el techo usando 2 tornillos de 5 x 45 mm.



- A. Techo
- B. Pared
- C. Línea central

## Complete la operación

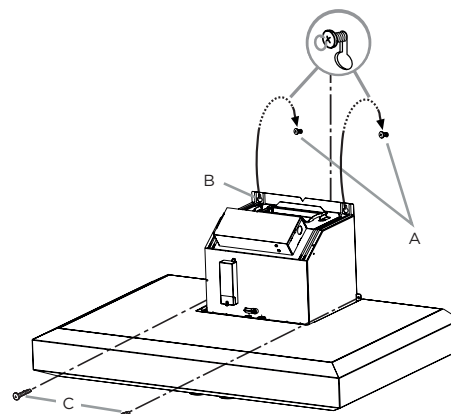
- 1 Determine y haga todos los cortes necesarios en la pared para el sistema de ventilación. Instale el sistema de ventilación antes de instalar la campana. Vea la sección "Requisitos de ventilación".
- 2 Determine la altura necesaria para el cable de suministro eléctrico de la casa y taladre un orificio de  $\frac{1}{4}$ " (3.2 cm) en esa ubicación.
- 3 Haga pasar el cable de suministro de energía de la casa según las normas del National Electrical Code (Código Nacional Eléctrico) o CSA (Asociación de Normalización Canadiense) y los códigos y ordenanzas locales. Debe haber suficiente conducto de  $\frac{1}{2}$ " y alambres de la caja de desconexión con fusible (o cortacircuitos) para hacer la conexión en la caja eléctrica de terminales de la campana.

**NOTA:** No restablezca la electricidad hasta que se complete la instalación.

- 4 Use masilla de calafateo para sellar todas las aberturas.

## Instalación de la Campana

- 1 Con la ayuda de dos ó más personas, cuelgue la campana para cocina sobre 2 tornillos de montaje a través de las ranuras de montaje que están sobre la parte posterior de la campana.



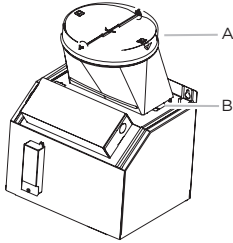
- A. Tornillos de montaje
- B. Ranuras de montaje
- C. Tornillos de montaje inferiores

- 2 Señale con un lápiz las ubicaciones de los agujeros inferiores.
- 3 Desinstale el ensamblaje de la campana y taladre orificios piloto de  $\frac{3}{16}$ " (4.8 mm) en las ubicaciones marcadas.

- 4 Coloque de nuevo la campana de cocina en 2 tornillos de montaje superiores.
- 5 Nivele la campana para cocina y apriete los tornillos de montaje superiores.
- 6 Instale 2 tornillos de montaje inferiores de 5 x 45 mm y apriételos. Use los taquetes de pared optativos si es necesario.

#### Conexión del sistema de ventilación

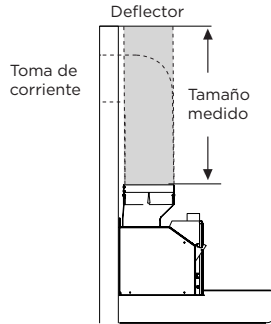
- 1 Instale la pieza de transición encima de la campana (si se ha quitado para el envío) con 4 tornillos para lámina metálica de 4 x 8 mm.



- A. Transición del ducto
- B. Tornillo de 4 x 8 mm

#### Solamente para las instalaciones con ducto de escape:

- 1 Haga encajar el sistema del ducto de escape sobre la salida de escape.
- 2 Mida desde la parte inferior del desviador de aire hasta la parte inferior de la salida de la campana. Corte el ducto al tamaño medido.



- 3 Selle la conexión con las abrazaderas.
- 4 Verifique que las compuertas de contratiro funcionen adecuadamente.

## Conexión Eléctrica

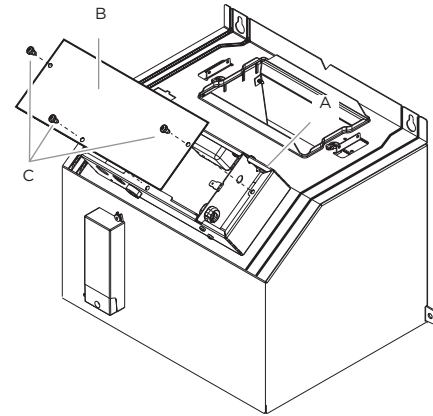
### Características eléctricas (nominales)

Características eléctricas (nominales)		
Modelos	EVV636SS EVV648SS	
Voltaje	120 V-	
Potencia	490 W	
Corriente	4.1 A	
Frecuencia	60 Hz	
Potencia Máx. de lámparas	2 x 7.5 W	
Consumo de energía	Modo de espera	0 W/h
	Modo de operación	463.5 W/h

**⚠ ADVERTENCIA**  
PELIGRO DE CHOQUE ELÉCTRICO.

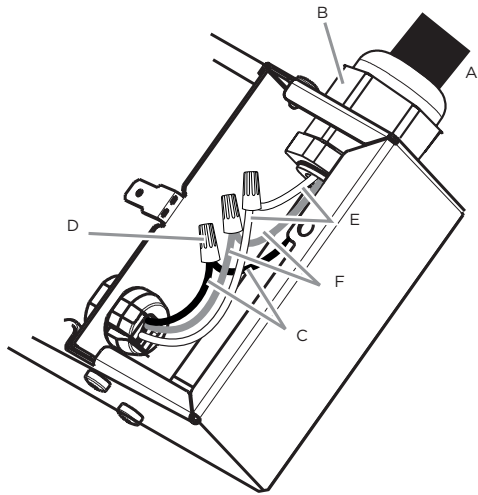
**⚠ ADVERTENCIA**  
DESCONECTE EL SUMINISTRO DE ENERGÍA ANTES DE DARLE MANTENIMIENTO.  
VUELVA A COLOCAR TODOS LOS COMPONENTES Y PANELES ANTES DE HACERLO FUNCIONAR. NO SEGUIR ESTAS INSTRUCCIONES PUEDE OCASIONAR LA MUERTE O CHOQUE ELÉCTRICO.

- 1 Desconecte el suministro de energía.
- 2 Retire la caja de terminales.
- 3 Quite el precorte removible que está en la caja de terminales e instale un protector de cables de 1/2" que esté en la lista de UL o esté aprobado por CSA.



- A. Precorte removible
- B. Cubierta de la caja eléctrica
- C. Caja eléctrica

- 4 Haga pasar el cableado de suministro de energía doméstico a través del protector de cables, dentro de la caja de terminales.



- |  |   |
|--|---|
| A. Cable de suministro de energía doméstico                          | D. Conectores de alambres aprobados por UL                              |
| B. Protector de cables que esté en la lista de UL o aprobado por CSA | E. Alambres blancos   |
| C. Alambres negros   | F. Alambres verdes (o desnudos) y amarillos - verdes de puesta a tierra |

- 5 Use conectores de alambres que estén en la lista de UL y conecte los alambres negros (C) juntos.
- 6 Use conectores de alambres que estén en la lista de UL y conecte los alambres blancos (E) juntos.

**⚠ ADVERTENCIA**  
PELIGRO DE CHOQUE ELÉCTRICO.

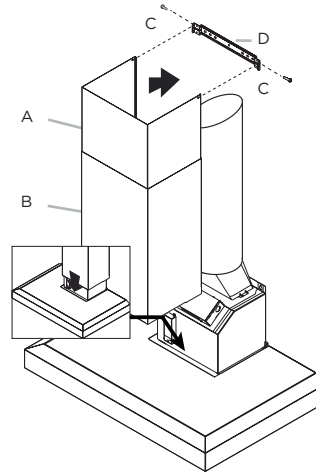
**⚠ ADVERTENCIA**  
CONECTE EL SOPLADOR A TIERRA. CONECTE EL ALAMBRE DE TIERRA AL ALAMBRE VERDE Y AMARILLO DE CONEXIÓN A TIERRA EN LA CAJA DE TERMINALES. NO SEGUIR ESTAS INSTRUCCIONES PUEDE OCASIONAR LA MUERTE O CHOQUE ELÉCTRICO.

- 7 Conecte el alambre verde (o desnudo) de puesta a tierra del suministro de energía doméstico al alambre amarillo - verde de puesta a tierra (F) en la caja de terminales usando conectores de alambres que estén en la lista de UL.
- 8 Apriete el tornillo del protector de cables.
- 9 Instale la cubierta de la caja de terminales.
- 10 Cerciórese de que todos los focos estén seguros en sus portalámparas.
- 11 Reconecte el suministro de energía.

#### Instalación de las cubiertas del ducto

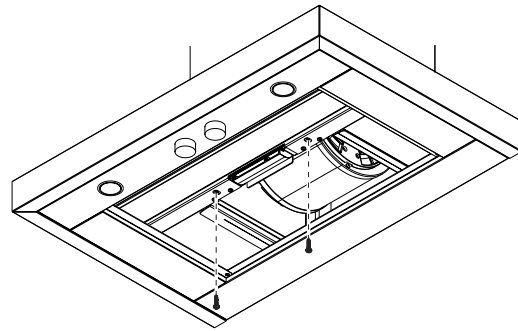
- Cuando use ambas cubiertas del ducto de escape (superior e inferior), empuje la cubierta inferior hacia abajo, sobre la campana y levante la cubierta superior hacia el techo e instale con 2 tornillos de montaje.

**NOTA:** Para las instalaciones con ducto de escape, la cubierta superior del ducto puede invertirse para ocultar las ranuras.



- |                                |
|--------------------------------|
| A. Cubierta del ducto superior |
| B. Cubierta del ducto inferior |
| C. Tornillos de 4 x 8 mm       |
| D. Soporte                     |

- Fije la parte inferior del conducto con 2 tornillos de 4 x 8 mm.



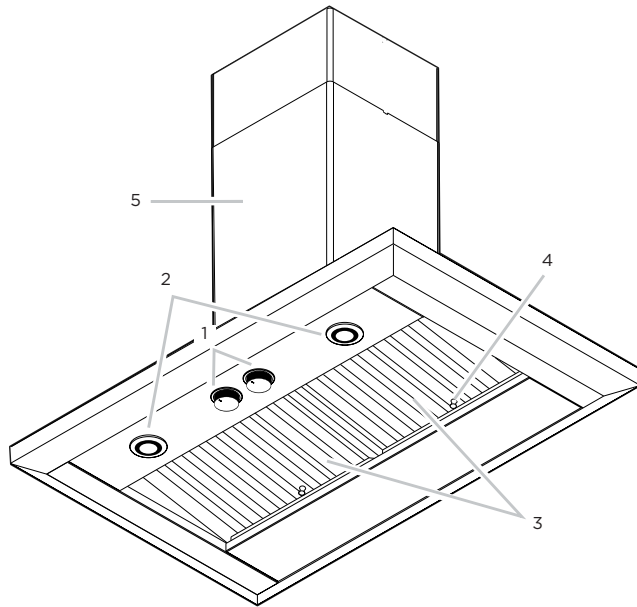
### Complete la Instalación

- Solamente para las instalaciones sin ventilación (con recirculación), instale los filtros de carbón sobre el filtro de metal para grasa. Consulte la sección "Mantenimiento".
- Instale los filtros de metal. Consulte la sección "Mantenimiento".

Para obtener un uso más eficaz de su nueva campana de cocina, lea la sección "Mantenimiento". Para disponer de una referencia sencilla, siga la Guía de instalación, uso y mantenimiento.



## Descripción de la Campana



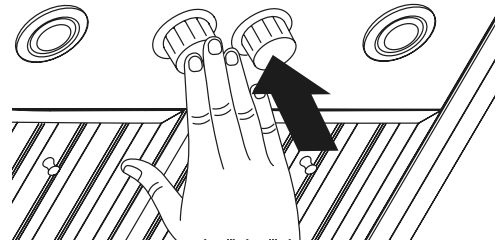
1. Panel de control
2. Lámparas LED
3. Manija de filtro de grasa
4. Filtro para grasa
5. Cubiertas del conducto

## Control

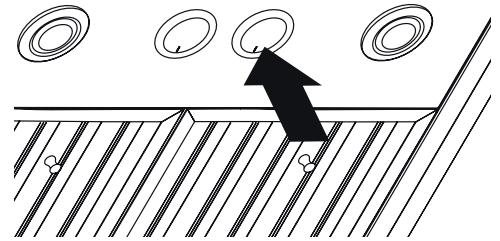
Esta campana está diseñada para remover humo, vapores de cocina y olores del área de cocina. Para mejores resultados, encienda la campana antes de cocinar y permita que opere algunos minutos después de haber terminado de cocinar para dispersar todo el humo y olores de la cocina. Los controles están localizados en la parte central de la campana.

### Ocultar las perillas

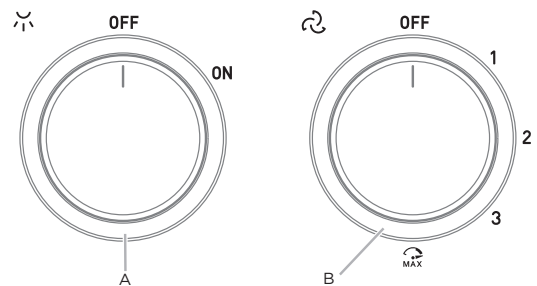
- Usted puede ocultar las perillas de los controles solo al presionar estos hacia abajo.



- Presione nuevamente para mostrar las perillas y habilitar las funciones de las lámparas y del motor.



### Controles



A. Control de lámparas LED  
B. Control de velocidades del motor

### Funcionamiento de las lámparas

1. Gire el control a la posición "ON" para encender las luces.
2. Gire el control a la posición "OFF" para apagar las luces.

### Funcionamiento del motor

1. Gire el control a la posición "1" para encender la campana.
2. Gire el control a la velocidad deseada.
3. Gire el control a la posición "MAX" para obtener la máxima potencia de su campana.
4. Gire el control a la posición "OFF" para apagar su campana.

### Encendido automático del motor

La campana de cocina está equipada con un sensor que enciende automáticamente el motor cuando ésta detecta un exceso de calor en el área de control. Cuando el control del motor esté en la posición "OFF", este sensor encenderá el motor a máxima velocidad cuando sea necesario. Cuando el calor disminuya, el motor se apagará. Cuando el control del motor esté en la posición de encendido, el sensor de calor no estará activado y la campana de cocina funcionará normalmente.

## Limpeza

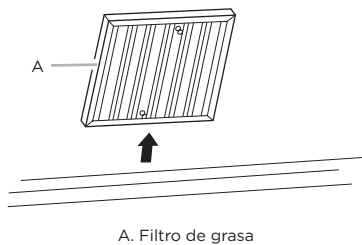
### Superficies exteriores:

Para evitar el daño en las superficies externas, no use estropajos de acero ni jabonosos. No use limpiadores de base de cloro. Siempre séquelo con un paño para evitar manchas de agua.

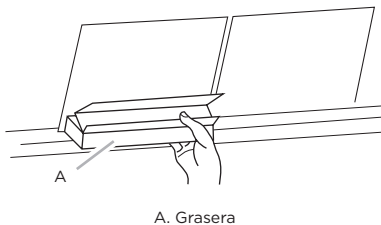
- Limpiador de acero inoxidable o polish.
- Detergente líquido y agua.
- Límpielo con un paño suave húmedo o esponja no abrasiva, enjuáguelo con agua limpia y séquelo con un paño.
- No utilice limpiadores con cloro.

### Filtros metálicos y graseras:

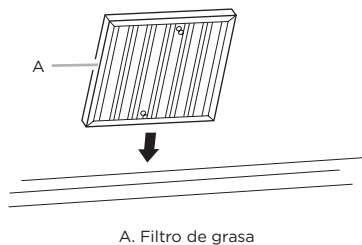
- 1 Use ambas manos para retirar los filtros.
- 2 Sujete las manijas de los filtros, jale hacia el frente de la campana y empuje hacia abajo para retirarlo. Repita el proceso para cada filtro.



- 3 Remueva las graseras.



- 4 Lave los filtros metálicos y las graseras en lavaplatos o con solución jabonosa caliente.
- 5 Vuelva a colocar las graseras.
- 6 Reinstale los filtros.

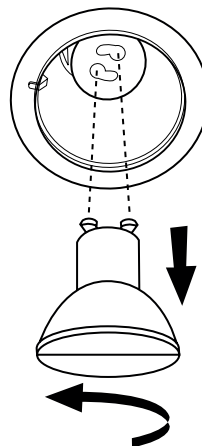


## Reemplazo de las lámparas LED

Apague la campana de cocina y espere a que la lámpara se enfríe.

Para evitar daños en la nueva lámpara o que se disminuya la vida útil de ésta, no toque la lámpara directamente con los dedos descubiertos. Reemplace usando algún pañuelo o usando unos guantes de algodón al manejar la lámpara. Si las nuevas lámparas no funcionan correctamente, asegúrese de que estén insertadas correctamente antes de llamar al servicio técnico.

- 1 Desconecte la corriente.
- 2 Gire el contador hacia el sentido contrario a las agujas del reloj.
- 3 Remueva la lámpara y reemplácela con la nueva lámpara LED de máximo 120-volt, 7.5 W para una base de GU10. Gírelo en el sentido de las agujas del reloj para bloquearlo en su lugar.
- 4 Repita los pasos 2-3 para las otras lámparas.
- 5 Reconecte la corriente.



Lámpara LED GU10	
Potencia asignada	2 x 6.5 W
Potencia máxima	7.5 W
Tensión asignada	120V-
Tipo de socket	GU10
Dimensiones	Ø 50mm x 52mm

# ELICA North America

## GARANTÍA LIMITADA DE DOS AÑOS

Registre su producto en

**elica.com**

y gane un 3<sup>er</sup> año de garantía de fábrica que cubre todas las partes además de la mano de obra.

### PARA OBTENER SERVICIO DENTRO DE GARANTÍA

El propietario debe presentar su recibo original de la compra. Guarde por favor una copia de su recibo de compra como prueba, para recibir el servicio dentro del periodo de garantía.

### PARTES Y GARANTÍA DE SERVICIO

Por el periodo de dos (2) años desde la fecha original de la compra, Elica proveerá, gratuitamente, partes no-consumibles o componentes que hayan fallado debido a defectos de fabricación. Durante estos dos (2) años de garantía limitada, Elica también proveerá gratuitamente, todo el servicio en casa y mano de obra necesaria para reemplazar cualquier parte defectuosa.

### QUÉ NO ESTÁ CUBIERTO

- Daños o fallas del producto causados por accidente o actos de Dios, tales como inundaciones incendios o terremotos.
- Daños o fallas causadas por alteración del producto o por el uso de partes no-originales.
- Daños o fallas del producto causados durante la entrega, manejo o instalación.
- Daños o fallas del producto causados por abuso del usuario.
- Daños o fallas del producto causados por reemplazo de fusibles dañados o reseteo de interruptor de circuito.
- Daño o fallas causados por el uso del producto en un ambiente comercial (no doméstico).
- Viajes de servicio para proporcionar orientación de uso o instalación.
- Bombillas, filtros de carbón o metal y cualquier otra parte consumible.
- Desgaste normal.
- Desgaste terminal debido a abusos del usuario, mantenimiento inadecuado, uso de productos / toallas de limpieza corrosivos o abrasivos y por uso de limpiadores para hornos.
- Cuando el producto no hubiese sido operado de acuerdo con el instructivo de uso que se le acompaña.

### QUIÉN ESTÁ CUBIERTO

Esta garantía se extiende al comprador original de productos adquiridos para uso residencial en Norte América (incluyendo Estados Unidos, Guam, Puerto Rico, Islas Vírgenes de EU y Canadá).

Esta garantía no es transferible y aplica solamente al comprador original y no se extiende a propietarios subsecuentes del producto. Esta garantía se expresa en lugar de otras garantías, expresadas o implícadas, incluyendo, pero no limitada a ninguna garantía implícada de comercialización o adaptada para propósitos particulares y cualquier otra obligación por parte de Elica North America, considerando, sin embargo, que si la negación de garantías implícitas es inefectiva bajo la ley aplicable, la duración de cualquier garantía implícita será limitada a dos (2) años desde la fecha original de compra o por el periodo necesario como sea requerido por la ley aplicable.

Esta garantía no cubre cualquier daño especial, incidental y/o consecuente, ni pérdidas de ganancias, sufridas por el comprador original, sus clientes y/o usuarios del producto.

### A QUIÉN CONTACTAR

Para obtener Servicio bajo Garantía o para cualquier pregunta relacionada a Servicio:  
Favor de llamar a:

- **USA & CANADA - Provincias Occidentales**  
**SERVICE POWER**  
888 732 8018  
elica@servicepower.com
- **CANADA - Provincia de Ontario**  
**SERVICE POWER**  
888 732 8018  
elica@servicepower.com
- **CANADA - Provincias de Quebec & Atlántico**  
**ELECTRO-EXPERTS**  
1 888 915 8888  
repartition@electro-experts.com

Para garantizar un rápido servicio postventa, cuando llame le pediremos que amablemente brinde la siguiente información que se indica en la placa de identificación que está dentro de la campana: **modelo de campana, 12 NC y fecha de compra en su factura original**. Para acceder a la placa de identificación, todo lo que tiene que hacer es quitar los filtros de grasa.

**12NC:** \_\_\_\_\_

**Modelo de campana:** \_\_\_\_\_

**No. Serie:** \_\_\_\_\_

**Fecha de compra en su factura original:** \_\_\_\_\_

## PARA OBTENER SERVICIO DENTRO DE GARANTÍA

El propietario debe presentar su recibo original de la compra. Guarde por favor una copia de su recibo de compra como prueba, para recibir el servicio dentro del periodo de garantía.

## PARTES Y GARANTÍA DE SERVICIO

Por el periodo de dos (2) años desde la fecha original de la compra, Elica proveerá gratuitamente, a través de sus distribuidores, partes no-consumibles o componentes que hayan fallado debido a defectos de fabricación. Durante estos dos (2) años de garantía limitada, Elica también proveerá gratuitamente, a través de sus distribuidores, todo el servicio en casa y mano de obra necesaria para reemplazar cualquier parte defectuosa.

## QUÉ NO ESTÁ CUBIERTO

- Daños o fallas del producto causados por accidente o actos de Dios, tales como inundaciones incendios o terremotos.
- Daños o fallas causadas por alteración del producto o por el uso de partes no-originales.
- Daños o fallas del producto causados durante la entrega, manejo o instalación.
- Daños o fallas del producto causados por abuso del usuario.
- Daños o fallas del producto causados por reemplazo de fusibles dañados o reseteo de interruptor de circuito.
- Daño o fallas causados por el uso del producto en un ambiente comercial (no doméstico).
- Viajes de servicio para proporcionar orientación de uso o instalación.
- Bombillas, filtros de carbón o metal y cualquier otra parte consumible.
- Desgaste normal.
- Desgaste terminal debido a abusos del usuario, mantenimiento inadecuado, uso de productos / toallas de limpieza corrosivos o abrasivos y por uso de limpiadores para hornos.
- Cuando el producto no hubiese sido operado de acuerdo con el instructivo de uso que se le acompaña.

## QUIÉN ESTÁ CUBIERTO

Esta garantía se extiende al comprador original de productos adquiridos para uso residencial en Latinoamérica.

Para cualquier defecto estético se tiene una garantía limitada por treinta (30) días de la fecha de compra del usuario final.

Esta garantía no es transferible y aplica solamente al comprador original y no se extiende a propietarios subsecuentes del producto. Esta garantía se expresa en lugar de otras garantías, expresadas o implicadas, incluyendo, pero no limitada a ninguna garantía implicada de comercialización o adaptada para propósitos particulares y cualquier otra obligación por parte de Elica, considerando, sin embargo, que si la negación de garantías implícitas es inefectiva bajo la ley aplicable, la duración de cualquier garantía implícita será limitada a dos (2) años desde la fecha original de compra o por el periodo necesario como sea requerido por la ley aplicable.

Esta garantía no cubre cualquier daño especial, incidental y/o consecuente, ni pérdidas de ganancias, sufridas por el comprador original, sus clientes y/o usuarios del producto.

## A QUIÉN CONTACTAR

Para obtener Servicio bajo Garantía o para cualquier pregunta relacionada a Servicio:

PAÍS	COMPAÑÍA	CONTACTO SERVICIO TÉCNICO	MAIL CONTACTO SERVICIO TÉCNICO	TELEFONO SERVICIO TÉCNICO
MÉXICO	ARTEXA MEXICO S.A. DE C.V.	Martín Melgoza	servicio@artexa.com	+ 52.81.8625.5063
BRASIL	LOFRA SUDAMERICA LTDA	Carlos Fleischfresser	carlos@tecnoeletros.com.br	+ 41.3661.7006
PERÚ	LÍNEA HOGAR	Flavio Figari	flavio.figari@appliancecenter.pe	+ 51 1 2418055

Artexa Mexico S.A. de C.V. Domicilio: Cañon Grande #7720, Col. La Estanzuela, Monterrey, N.L., 64984, Mexico ☎ 55 3955 8770  
En caso de no existir un distribuidor en su localidad, favor de ingresar a [www.elica.com/asistencia](http://www.elica.com/asistencia)

Para garantizar un rápido servicio postventa, cuando llame le pediremos que amablemente brinde la siguiente información que se indica en la placa de identificación que está dentro de la campana: **modelo de campana, 12 NC y fecha de compra en su factura original**. Para acceder a la placa de identificación, todo lo que tiene que hacer es quitar los filtros de grasa.

**12NC:** \_\_\_\_\_

**Modelo de campana:** \_\_\_\_\_

**No. Serie:** \_\_\_\_\_

**Fecha de compra en su factura original:** \_\_\_\_\_