



# DISEGNO *Series*

Hoods that offer a Superior Fit & Finish



# —| INTRODUCING: DISEGNO Series

# ELICA PLUS FEATURES



## HUSH SYSTEM

An exclusive sound deadening technology that effectively reduces sound levels by over 35%.



## HEAT GUARD

Senses extreme temperatures (>316°F) and automatically adjusts the blower speed to HIGH.



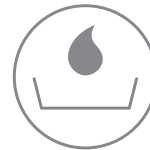
## SEAMLESS CRAFTSMANSHIP

Heavy gauge stainless steel “Seamless” construction that delivers refined elegance.



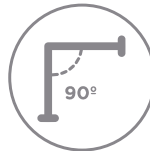
## PROFESSIONAL PERFORMANCE

Special features and high performances for models with aspiration capacity between 600 and 1200 CFM's.



## STAINLESS STEEL BAFFLE FILTERS WITH GREASE COLLECTORS

Designed for high airflow cooking, the “S” shape design traps high volumes of grease.



## REAR OUTLET INSTALLATION

The Elica Easy Mounting System makes ducting out through the rear wall behind the hood canopy possible for this style hood.



## ELICA EASY MOUNTING SYSTEM

Elica's patented Easy Mounting System enables hood installation to be done in 6 easy steps, without ladders, without the added cost of purchasing a specialized duct transition, and without the added cost of purchasing a duct cover to hide ducting connection points.

# DISEGNO Series

FOR THOSE IN SEARCH OF QUALITY & SIMPLENESS



## EASY CONNECTION

Connecting the duct transition to the ducting is done before the hood shell is affixed to the wall, leaving full & open access to the blower and outlet.

## TROUBLE-FREE DUCTING

With a Rear Outlet capability, installation is simple and requires no extra costs. Elica supplies a standard duct transition with the insert hood and there is no need of a special Duct transition for the installation.

## NO NEED OF A DUCT COVER

The duct transition is connected to the ducting before the shell is installed on the wall, providing zero obstructions for the installer allowing to have a seamless duct connection and no need of the extra cost of a duct cover.

# DISEGNO Series

SUPERIOR PERFORMANCE, FIT & FINISH

## SUPERIOR FIT & FINISH

Disegno models are precision engineered and produced with the most technologically advanced equipment, that deliver a highly refined & luxurious design, with a higher degree of quality.

## EFFORTLESS MAINTENANCE

Elica Professional Stainless Steel Baffle Filters are easily accessible from outside of the hood. Filter removal and re-installation is effortless, and cleaning can be managed by the dishwasher.



# CATANIA

INSPIRED BY THE CITY OF CATANIA, BY HOW THE VOLCANIC MOUNT ETNA & IONIAN SEA SURROUND IT.



# CATANIA DELIVERS A **BOLD STATEMENT** AND COMPLEMENTS EVEN THE MOST GLAMOROUS KITCHENS.

Available in 36" and 48" widths and built with Italian craftsmanship and precision equipment that delivers seamless welding that is flawless, and a superior fit & finish that is Noticeable.



## FINISHES



### DECORATIVE MIRROR STAINLESS STEEL FINISH

Catania models come in a smooth to sight stainless steel, additionally the elegant front rim, rivets and the decorative bands count with a mirror stainless steel look.

## PERFORMANCE



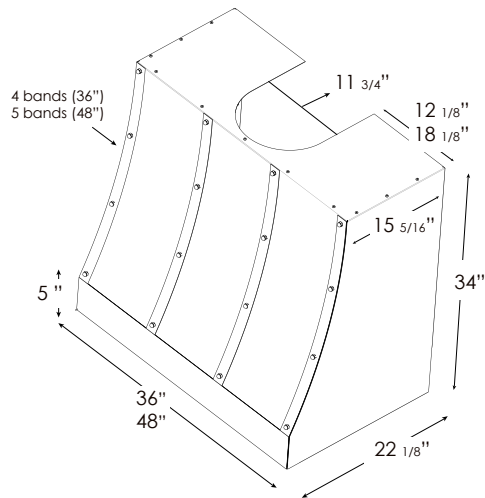
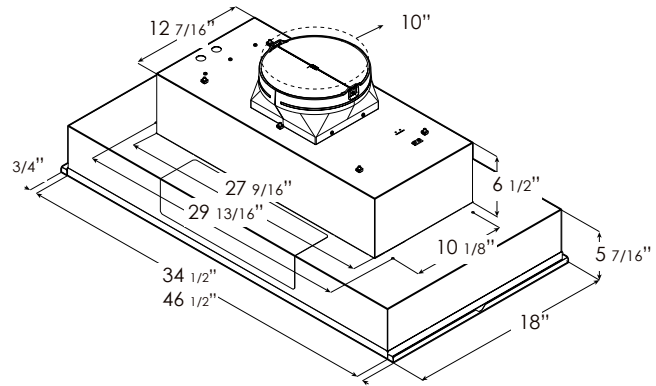
### ELICA'S TRENTO INSERT HOOD

Catania is compatible with our Trento Insert hood which comes equipped with 600 or 1200 CFM blowers, soft LED lighting, plus Elica's patented HUSH sound suppression system.

#### TRENTO

ETR634SS (600 CFM)  
ETR134S1 (1200 CFM)  
ETR146SS (1200 CFM)

# LINE DRAWING



# MODELS

**CATANIA 36"**  
ECTX36SS



**CATANIA 48"**  
ECTX48SS





# ORISTANO

INSPIRED BY THE TRADITIONAL ARCHITECTURE AND GLISTENING WATERS OF ORISTANO, THE CAPITAL CITY OF SARDINIA ITALY.



# ORISTANO HAS A SEAMLESS FLOW & MIRRORED LOOK THAT DELIVERS AN **ELEGANT STATEMENT** TO COMPLEMENT EVEN THE MOST EXQUISITE KITCHENS

Available in 36" and 48" widths, equipped with 600 or 1200 cfm blowers, soft LED lighting, plus Elica's patented HUSH sound suppression system will keep the conversation going.



## FINISHES



### MIRROR STAINLESS STEEL BANDS & A SEAMLESS FLOW

Oristano gives you two unique options, 36" model with 2 stainless steel decorative bands, & 46" model with 3 stainless steel decorative bands.

## INSTALLATION

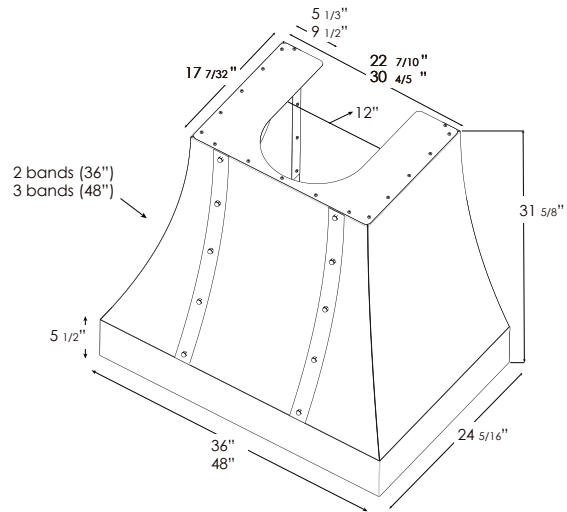
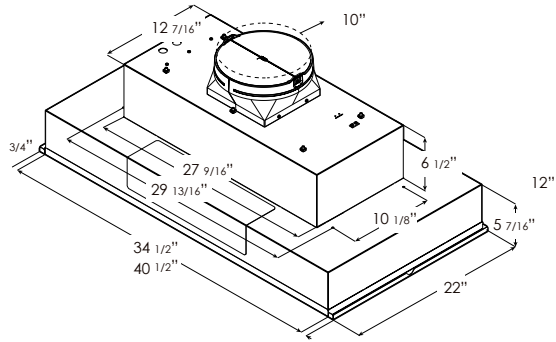


### ELICA'S AREZZO INSERT HOOD

Oristano is compatible with our Arezzo insert hood that offers a great power of 600 or 1200 CFM blowers, additional comes with HEAT guard which senses extreme temperatures and an amazing HUSH system technology.

**AREZZO**  
EAR634SS (600 CFM)  
EAR134S4 (1200 CFM)  
EAR140S4 (1200 CFM)

# LINE DRAWING



# MODELS

**ORISTANO 36"**  
EORX36SS



**ORISTANO 48"**  
EORX48SS



# —| ELICA'S 6 EASY STEPS FOR MOUNTING

# ELICA EASY MOUNTING SYSTEM

## DISEGNO SERIES



1 Drill using installation template.



2 Fix support Brackets.



3 Secure the insert hood to the lower support.



Secure the depth cross bar to the lower support. (Applies to Catania model ONLY)

4 Affix the ducting. Choose between REAR or Ceiling Outlet.



5 Slip connect the Shell to the upper brackets through the eyelets.



6 Screw the Insert hood to the shell from inside the hood.



ELICA **PATENTED EASY MOUNTING SYSTEM** ENABLES HOOD INSTALLATION TO BE COMPLETED IN 6 EASY STEPS, WITHOUT HAVING TO PURCHASE A DUCT COVER OR A SPECIALIZED DUCT TRANSITION, PLUS IT MAKES REAR OUTLET POSSIBLE

# EARN 3 YEARS OF WARRANTY



TWO (2) YEARS PARTS & IN-HOME LABOR.  
EARN AN ADDITIONAL ONE (1) YEAR OF  
PARTS & IN-HOME LABOR BY REGISTERING  
ON [ELICA.COM](http://ELICA.COM)

For valid warranty extension, register within 3  
months from purchase.  
For USA & Canada Users Only.



VISIT [elica.com](http://elica.com)

